

► **Code Number**

3050011

► **Description**

Exposed Water Closet Flushometer, for floor mounted or wall hung 1½" top spud bowls. Specifically engineered for salt water and severe water conditions.

► **Flush Cycle**

Valve Adjustment Range: 0.5 gpf/1.9 Lpf to 16.0 gpf/60.6 Lpf

Factory settings made at 40 psi (275 kPa) — flush volume will vary with pressure and flow rate.

- 1.28 gpf/4.8 Lpf

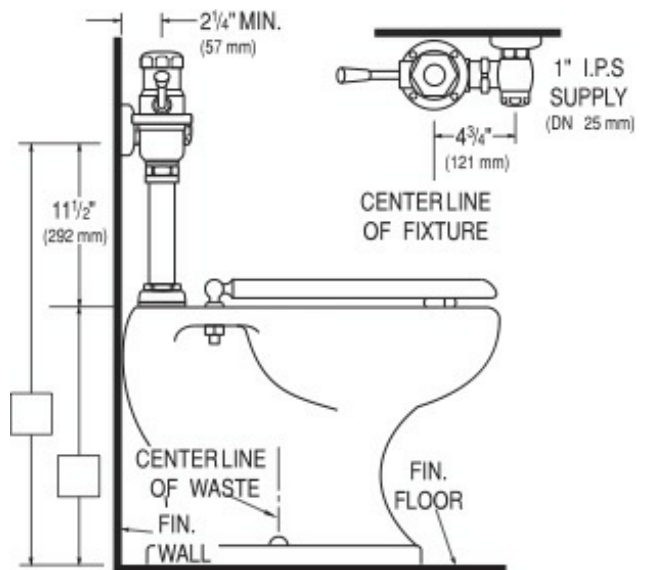
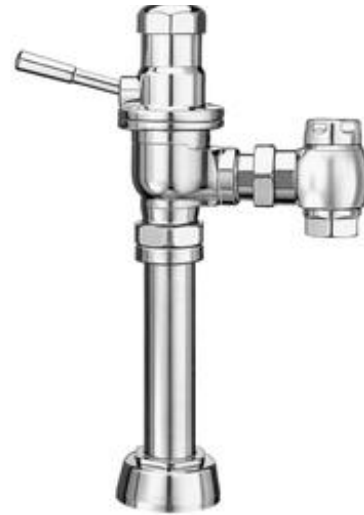
► **Specifications**

- Metal Lever Handle
- 1" I.P.S. Screwdriver Bak-Chek® Angle Stop with Vandal Resistant Stop Cap
- Vacuum Breaker Flush Connection
- Flushometer does not require water pressure to positively shut off
- Non-Hold-Open Handle and No External Volume Adjustment to Ensure Water Conservation
- Handle Packing, Stop Seat and Vacuum Breaker to be Molded from PERMEX® Rubber Compound for Chloramine Resistance
- Spud Coupling and Flange for 1 1/2" Top Spud

Valve Body, Cover, Tailpiece and Control Stop shall be in conformance with ASTM Alloy Classification for Semi-Red Brass. Valve shall be in compliance with the applicable sections of ASSE 1037 and ANSI/ASME 112.19.2.

► **Accessories (Sold Separately)**

See Accessories Section of the Sloan catalog for available accessories



► **Compliance & Certifications**



This space for Architect/Engineer Approval