

► **Description**

Weir Deck Lavatory System can be equipped with Sloan® sensor-activated faucets. Constructed of durable corian or natural stone, both materials are available with our 20% or more post consumer recycled content.

► **Specifications**

- The 30" Wall Mounted Console Unit includes:
- Dimensions: 30" x 22" x 5"
- A Monolithic Console, fabricated from corian material or natural stone
- A high polished grid strainer provided
- Wall Mounted Console is ADA compliant if Installed properly
- Sloan Electronic Faucets features:
- Sloan Sensor Technology for reliable performance
- Hardwire or Battery powered
- Infrared or Capacitance
- Troubleshooting LED Indicator Lights
- Filtered Solenoid with serviceable Strainer Filter
- Faucet features may vary. See faucet specification sheets for details

► **Colors**

- For a complete list of Corian colors see:
<http://www.dupont.com/products-and-services/construction-materials/surface-design-materials/brands/corian-solid-surfaces/products/corian-all-colors.html>
- For a complete list of Zodiac quartz colors:
<http://www.dupont.com/products-and-services/construction-materials/surface-design-materials/brands/zodiaq-quartz-surfaces/products/zodiaq-all-colors.html>
- For a complete list of Silestone quartz colors
<http://www.silestoneusa.com/colors/>

► **Variations**

- ESD - Electronic Soap Dispenser
- DS - Designer Stone (Quartz)
- FM - Frame
- AB - Angle Brackets
- ENC - Enclosure

► **NOTE**

DSWD dimensions can be customized per designer request. See your Sloan representative for details.



► **The Weir Deck Single Station Lavatory System**

The Weir Deck design is an ergonomic hand washing basin, bringing higher efficiencies to the entire hand washing process in a more natural way. The Weir Deck may be configured to designers specifications. Waste assembly is not provided. Choose from one of the many Sloan faucets for the perfect match.

► **Compliance & Certifications**

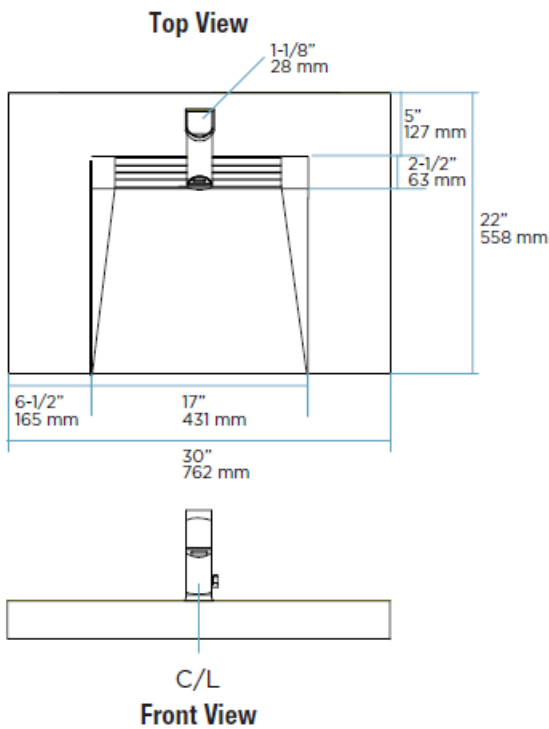


This space for Architect/Engineer Approval

► Faucet Options



Not All Faucet Models Shown



For additional technical information, contact the Sloan Technical Support at 1-888-SLOAN-14 (1-888-756-2614) or techsupport@sloanvalve.com

► Code Number
15121561

SLOAN 10500 SEYMOUR AVE. • FRANKLIN PARK, • IL. 60131

Ph: 1-800-9-VALVE-9 or 1-847-671-4300 • Fax: 1-800-447-8329 or 1-847-671-4380 • <http://www.sloan.com>