

► **Code Number**
3324440

► **Description**

Battery-Powered, Capacitance Sensing, Electronic, Chrome Plated Die Cast Body, Hand Washing Faucet with the following features:

► **Flow Rates**

1.5 gpm / 5.7 Lpm – Laminar

► **Specifications**

Battery-Powered, Capacitance Sensing, Electronic, Chrome Plated Die Cast Body, Hand Washing Faucet with the following features:

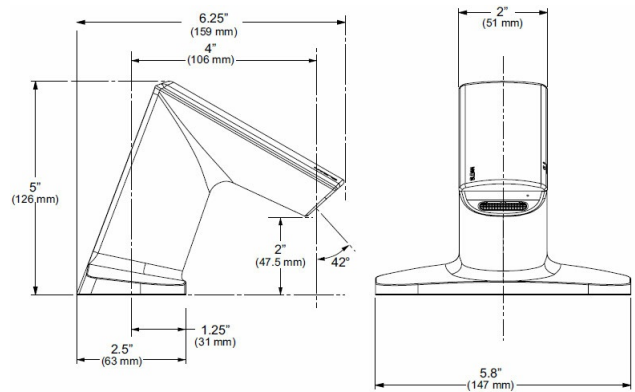
- Above deck solenoid valve
- One tool service
- Capacitance sensing eliminates potential vandal point
- All wetted components to be stainless steel, engineered thermoplastic, EPDM, and copper or copper alloy
- Solenoid housed in removable carrier that includes supply strainer
- Integral above deck water supply shut off
- Supply strainer serviceable from above deck
- Vandal resistant spray insert, key housed inside faucet body
- All electronics sealed to IP-67
- Gold plated electrical contacts
- Above deck individual diagnostic indicators for battery life, solenoid condition, and power up mode
- Flexible, high pressure supply hose, 3/8" compression connection (NOTE: Only single supply)
- Four (4) "AA" alkaline batteries
- Double infrared sensors with automatic setting feature
- Integral 4-inch base for ultimate anti-rotation
- Includes all mounting hardware
- Line purge mode, eliminates stagnant water
- Adjustable time-outs and sleep/cleaning mode
- High temperature auto shut-off (LCD models)
- Faucet can be configured to add solar and/or LCD display
- LCD display of water temperature and scrub time, optional
- Thermostatic, below deck for ASSE 1070 compliance, optional
- Bi-stable Magnetic Solenoid Valve

► **Variations**

BDT - Below Deck Thermostatic Mixing Valve

► **Disclaimer**

All information contained within this document subject to change without notice.



► **BASYS Spec Language**

Sloan BASYS Model No. EFX-650.____.____ Infrared Sensor Activated Electronic Handwashing Faucet for pre-tempered or hot/cold water supplies. Solenoid valve housed in removable carrier that closes water supply upon removal, eliminating need to access control stops. Solenoid carrier includes mesh filter for easy access and service without disconnecting the supply lines. Thermostatic mixer ordered separately to comply with ASSE 1070 requirements. The product shall be tested and certified to industry standards: ASME A112.18.1M, CSA B125.1, California Health and Safety Code 116875 (AB1953-2006), and Vermont Bill S.152. This product meets ADA ANSI/ICC A117.1 requirements.

► **Compliance & Certifications**



This space for Architect/Engineer Approval

► ELECTRICAL SPECIFICATIONS

Control Circuit

- 6.75 VDC

Battery Life

- 5-years under worst case conditions of 8,000 cycles per month and high water pressure. Optional power harvesting may extend service life of batteries to equal the shelf life.

Sensor Range

- Nominal: 4" - 5" (102 mm - 127 mm)
- Faucet Adaptive Self-Adjustment Range: 1"-6" (25 mm-150 mm)

Solenoid Valve

- Filtered Solenoid Valve with Serviceable Strainer Filter

Power Supplies

- 6 VDC Solar Energy Module with 6 VDC Alkaline Battery Pack
- 120 VAC/6.75 VDC Voltage Adapter (Option) Batteries Act as Back-up Shown with EFX-600.000.0000

Optional Voltage Adapter

- 120 VAC – 50/60 Hz, 6 VDC

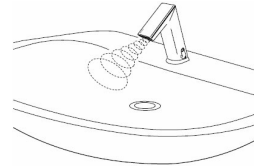
Time Out Setting

30 seconds — Maximum time faucet will run upon continuous detection

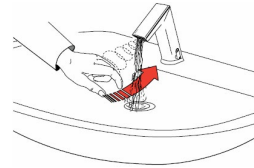
► NOTE: Not intended for installation on a metal sink or deck (i.e. stainless steel or cast iron).

NOTE: Not intended for installation on a metal sink or deck (i.e. stainless steel or cast iron).

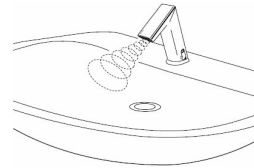
► OPERATION



1. A continuous, invisible light beam is emitted from the sensor located at the front of the hand washing faucet.

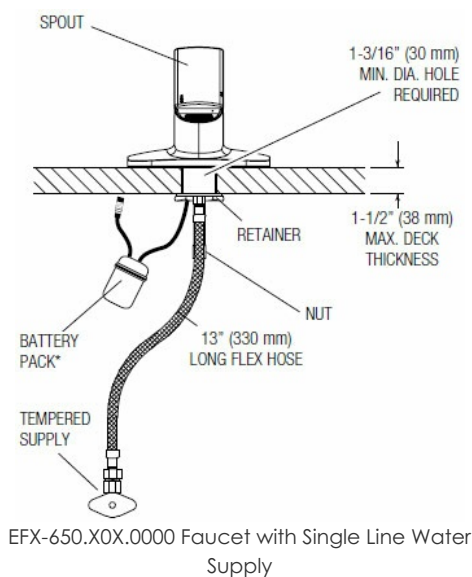


2. As the user's hands enter the beam's effective range, the beam is reflected back into the sensor receiver and activates the solenoid valve allowing water to flow from the faucet. Water will flow until the hands are no longer sensed or until the faucet reaches its automatic time out limit setting.

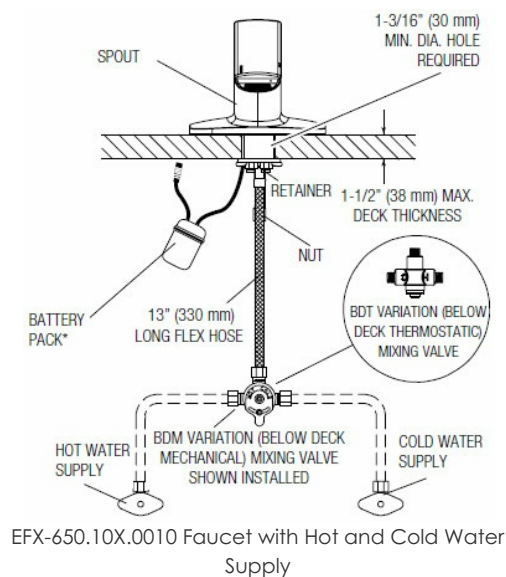


3. When hands are moved away from the sensor, the loss of reflected light initiates an electrical signal that closes the solenoid valve shutting off the water flow. The circuit then automatically resets and is ready for the next user.

► ROUGH-IN



EFX-650.X0X.0000 Faucet with Single Line Water Supply



EFX-650.10X.0010 Faucet with Hot and Cold Water Supply

* One (1) Faucet Per Battery Pack

If a connection to separate hot and cold water supplies is desired, then a Bak-Chek® tee fitting (not supplied) must be used prior to connecting to the faucet.