

EFX-6X0-X1X-00X0

Description

Battery powered, sensor activated, electronic, chrome plated die cast body, integrated base hand washing faucet for pre-tempered or hot and cold water operation.

Flow Rates

- 0.5 gpm/1.9 Lpm Multi-Lam Spray
- 1.5 gpm/5.7 Lpm Aerated Stream
- 1.5 gpm/5.7 Lpm Laminar Stream

ELECTRICAL SPECIFICATIONS

Control Circuit

6.75 VDC

Battery Life

3-years under worst case conditions of 8,000 cycles per month and high water pressure. Optional power harvesting may extend service life of batteries to equal the shelf life.

Sensor Range

Nominal: 4" - 5" (102 mm - 127 mm)
Faucet Adaptive Self-Adjustment
Range: 2" - 14" (51 mm - 356 mm)

Solenoid Valve

Filtered Solenoid Valve with Serviceable Strainer Filter

Optional Voltage Adapter

120 VAC - 50/60 Hz, 6 VDC

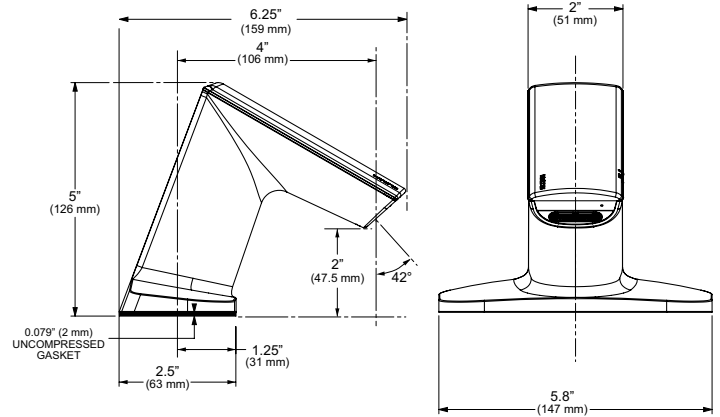
Automatic Time Out Adjustment Settings

10 seconds — The Faucet Time out Setting determines the maximum time the faucet will run upon continuous detection. The EFX Faucet is factory set at 10 second time out at 1.5 gpm and 30 second time out at 0.5 gpm. Consult factory for time out settings to meet individual application requirements.

Max. Distance Control Module may be installed from Spout

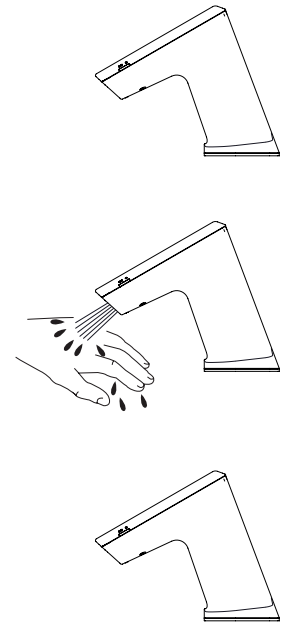
With Standard Cable: 30" (762 mm)

DIMENSIONS

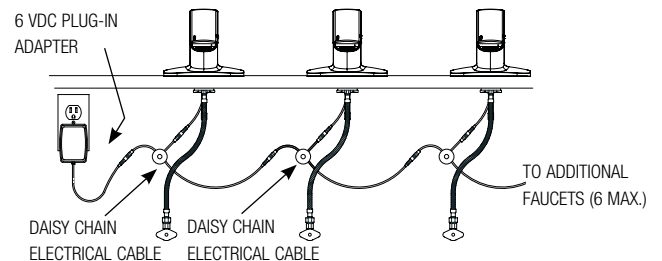
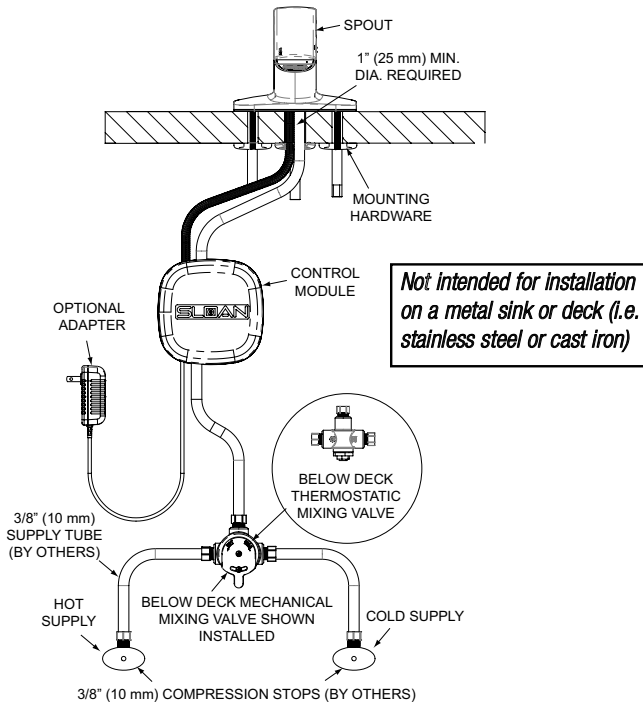


OPERATION

1. A continuous electric field is emitted and monitored by the faucet system.
2. As the user's hands enter the effective range the sensor activates the solenoid valve allowing tempered water to flow from the faucet. Water will flow until the hands are removed or until the faucet reached its automatic time out setting.
3. When hands are moved away from the EFX faucet, the capacitive sensor deactivates the solenoid valve, shutting off the water flow. The system automatically resets and is ready for the next user.



ROUGH-IN DIAGRAM



SLOAN HEADQUARTERS • 10500 SEYMOUR AVENUE • FRANKLIN PARK, IL 60131

Phone: 1-800-9-VALVE-9 or 1-847-671-4300 • Fax: 1-800-447-8329 or 1-847-671-4380 • www.sloanvalve.com