

BASYS®

Any Application. Any Environment.®

EFX-350.X0X.0X0X

Description

Sensor Metering Handwashing Faucet, battery powered, double-infrared sensor activated for pre-tempered or hot and cold water operation.

Faucet Specifications

Battery powered, sensor-activated, electronic, chrome plated die cast body, handwashing faucet with the following features:

- One tool service
- All wetted components to be stainless steel, engineered thermoplastic, EPDM and copper or copper alloy
- Solenoid housed in removable carrier that includes supply strainer, serviceable from above deck
- Integral water supply shut off
- Vandal resistant spray insert, key housed inside faucet body
- All electronics sealed to IP-67
- Gold plated electrical contacts
- Above deck individual diagnostic indicators for battery life, solenoid condition, and power-up mode
- Flexible, high pressure supply hose, 3/8" compression connections
- Bi-stable magnetic solenoid
- Faucet can be configured to add solar or solar and LCD display
- Four (4) "AA" alkaline batteries
- Double infrared sensors with automatic setting feature
- Single hole installation
- Includes all mounting hardware
- Selectable Sloan programmable line purge mode eliminates stagnant water
- Mechanical mixing, integral to spout, optional
- Operates from 1 to 125 psi
- Adjustable run time from 0-3600 seconds (factory set at 10 second maximum run time upon continuous detection)

Electrical Specifications

- Control Circuit – 6.75 VDC
- Sensor Range – Nominal: 4" - 5" (102-127 mm)
Faucet Adaptive Self-Adjustment Range: 2" - 14" (51-356 mm) nominal
- Battery Life – 3-years under worst case conditions of 8,000 cycles per month and high water pressure
- Power Supplies – 6 VDC Alkaline Battery Pack

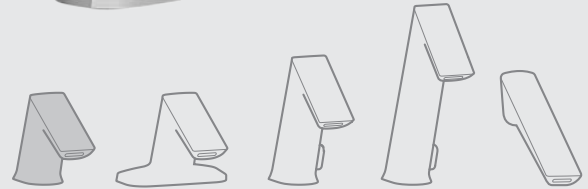
Warranty

3 Year Limited

Active IR Series Faucet

BASYS® Low Faucet Series
with Bowed Crown

(EFX-350.000.000 shown)



Meets or Exceeds

ASME A112.18.1/CSA B125.1, NSF 372, ANSI/UL 1951, ICC/ANSI 117.1

Certifications

IAPMO/cUPC, Commonwealth of Massachusetts

Codes Compliance

UPC, IPC, NPC Canada, California Green Building Code (CALGreen), City of Los Angeles Water Efficiency Ordinance

CALGreen

This BASYS faucet with a 10-second cycle uses 0.083 gallons of water at 0.5 gallons per minute (exceeds minimum CALGreen requirements) or 0.25 gallons of water at 1.5 gallons per minute, depending upon desired flow rate. Additionally, this BASYS faucet is Sloan reprogrammable to use 0.175 gallons of water at 1.5 gallons per minute with a 7-second cycle (exceeds minimum CALGreen requirements).

Legislative Compliance

Federal Reduction of Lead in Drinking Water Act Law 111-380 (contains no more than 0.25% weighted average lead content), Section 116875 of the California Health & Safety Code, and Vermont Lead Reduction Law (Vermont Act 193).

ADA Compliant

BASYS Spec Language

Sloan BASYS model no. EFX-350.____.____ double infrared sensor-activated electronic handwashing faucet with line purge mode for pre-tempered or hot/cold water supplies. Product to have double infrared sensors with automatic setting feature. Solenoid valve housed in removable carrier that closes water supply upon removal eliminating need to access control stops. Solenoid carrier includes strainer for easy above-deck service. Optional thermostatic mixer complies with ASSE 1070 requirements.



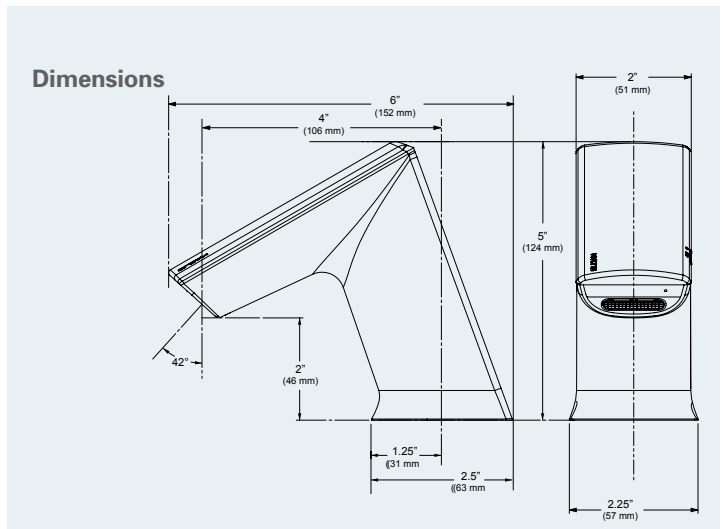
CALGreen

REV. 4 10/13

SLOAN
Water Connects Us™

EFX-350.X0X.0X0X

To build a BASYS faucet online and create a customized specification sheet, go to:
sloanvalve.com/configurator



Model Creation Guide (customize your faucet features below)

EFX - . .

Series	Digit 1 Body Type	Digit 2 Power Type	Digit 3 Crown Type	Digit 4 Mixer Type	Digit 5 Sensing Type	Digit 6 Flow Rate	Digit 7 Battery Type	Digit 8 Base Plate	Digit 9 Adapter	Digit 10 Drain Pop-Up
EFX	3 = Low IR	5 = Battery	0 = Bowed	0 = None 1 = BDM 2 = BDT 5 = ISM	0 = Active IR	0 = 0.5 gpm Multi-Lam 2 = 1.5 gpm Aerated 3 = 1.5 gpm Laminar	0 = Alkaline	0 = None 1 = 4" 2 = 8"	0 = None	0 = No 1 = Yes

Mixer Type Options (Digit 4)

- BDM – Mechanical, below deck mixing valve
- BDT – Thermostatic, below deck mixing valve
- ISM – Integral side mixer

Flow Rate Options (Digit 6)

- 0.5 gpm/1.9 Lpm Multi-Lam Spray
- 1.5 gpm/5.7 Lpm Aerated Stream
- 1.5 gpm/5.7 Lpm Laminar Stream

Base Plate Options (Digit 8)

- Base plate for 4" centerset sink
- Base plate for 8" centerset sink

Special Finish Options* (ordered separately, late 2013)

- PVDSF – Physical Vapor Deposition Satin Finish (Brushed Chrome)
- PVDBN – Physical Vapor Deposition Brushed Nickel
- PVDPB – Physical Vapor Deposition Polished Brass

* Minimum order quantities and long lead times may apply. Please contact Customer Service for details.

