

► **Code Number**

3324482

► **Description**

Battery Powered, Sensor Activated, Electronic, Brushed Stainless PVD finish Die Cast Body, Hand Washing Faucet with the following features:

► **Flow Rates**

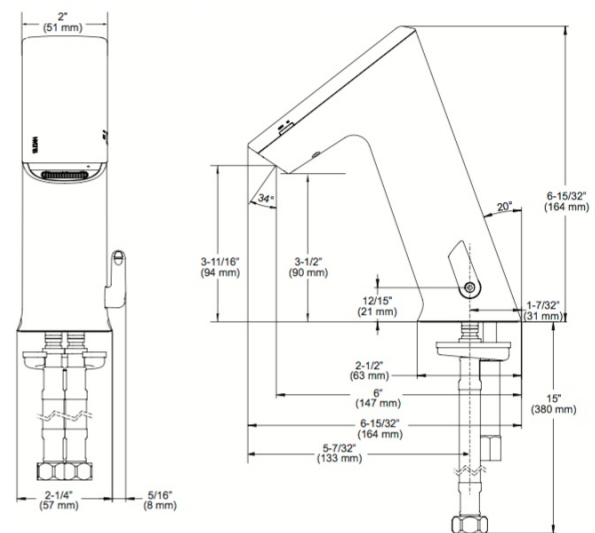
0.5 gpm / 1.9 Lpm

► **Specifications**

- All serviceable components above deck
- One tool service
- All wetted components to be stainless steel, engineered thermoplastic, EPDM, and copper or copper alloy
- Solenoid housed in removable carrier that includes supply strainer
- Integral water supply shut off
- Supply strainer serviceable from above deck
- Vandal resistant spray insert, key housed inside faucet body
- All electronics sealed to IP-67
- Gold plated electrical contacts
- Above deck individual diagnostic indicators for battery life, solenoid condition, and power up mode
- Flexible, high pressure supply hoses, 3/8" compression connections
- Four (4) "AA" alkaline batteries
- Double infrared sensors with automatic setting feature
- Single hole installation
- Includes all mounting hardware
- Line purge mode, eliminates stagnant water
- Adjustable time-outs
- Faucet can be configured to add solar and/or LCD display
- Bi-stable Magnetic Solenoid Valve



DIMENSIONS



EFX-250.500.0000 Shown (Standard Model with Integral Side Mixer)

► **Special Finishes**

Brushed Stainless (PVD finish)

► **Options (Ordered Separately)**

- Splitter (included in hardwire less adapter)
- 11-13/16" Extension Cable
- 47-1/4" Extension Cable
- 126" Extension Cable
- Thermostatic Mixer, Below Deck

► **BASYS Spec Language**

Sloan BASYS Model No. EFX-250.____.____ Infrared Sensor Activated Electronic Handwashing Faucet for pre-tempered or hot/cold water supplies. Product to have double infrared sensors with automatic setting feature. Solenoid valve housed in removable carrier that closes water supply upon removal, eliminating need to access control stops. Solenoid carrier includes strainer for easy above deck service. Thermostatic mixer ordered separately to comply with ASSE 1070 requirements. The product shall be tested and certified to industry standards: ASME A112.18.1M, CSA B125.1, California Health and Safety Code 116875 (AB1953-2006), and Vermont Bill S.152. This product meets ADA ANSI/ICC A117.1 requirements.

► **Compliance & Certifications**

ASME A112.18.1/CSA B125.1, NSF 372, ANSI/UL 1951, ICC/ANSI 117.1
CEC Compliant



This space for Architect/Engineer Approval

► Sensor Range

Nominal: 4" - 5" (102 mm - 127 mm)

Faucet Adaptive Self-adjustment Range: 2"-14" (51 mm -356 mm) nominal

► Time Out Setting

30 seconds — Maximum time faucet will run upon continuous detection

► Control Circuit

6.75 VDC

► Battery Life

3-years under worst case conditions of 8,000 cycles per month and high water pressure. Optional power harvesting may extend service life of batteries to equal the shelf life.

► OPERATION



1. A continuous, invisible light beam is emitted from the sensor located at the front of the hand washing faucet.



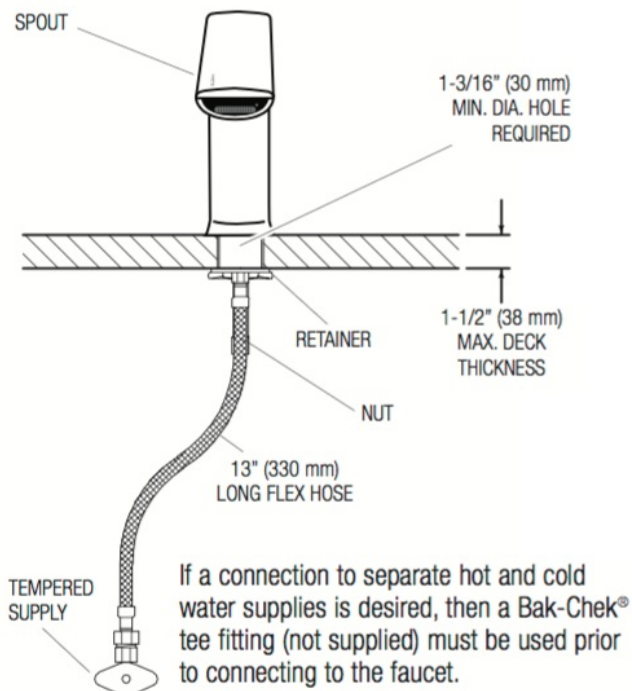
2. As the user's hands enter the beam's effective range, the beam is reflected back into the sensor receiver and activates the solenoid valve allowing water to flow from the faucet. Water will flow until the hands are no longer sensed or until the faucet reaches its automatic time out limit setting.



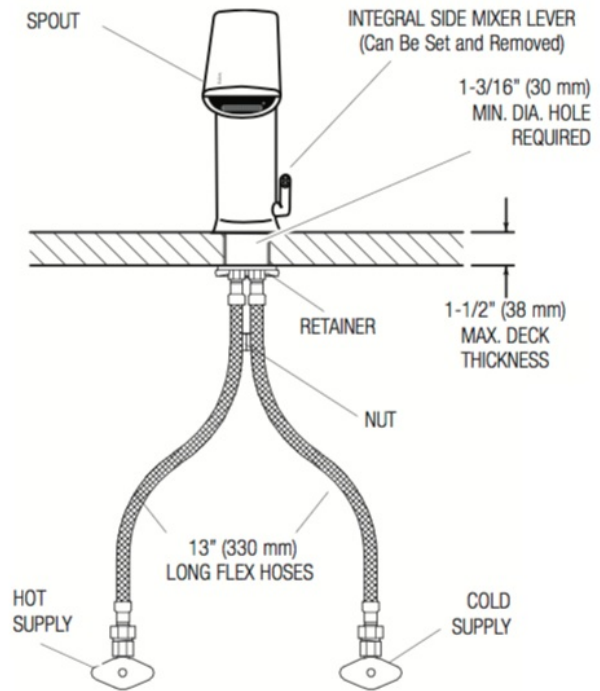
3. When hands are moved away from the sensor, the loss of reflected light initiates an electrical signal that closes the solenoid valve shutting off the water flow. The circuit then automatically resets and is ready for the next user.

► ROUGH-IN

EFX-250.00X.XXXX
Faucet with Single Line Water Supply



EFX-250.50X.XXXX
Faucet with Hot and Cold Water Supply



When the BASYS Series faucet is installed on a sink that has three (3) hole punchings, a Base Plate should be used.
Base Plates should be specified at time of order.
EFX-20 – 4" Centerset

EFX-26 – 8" Centerset