

► **Code Number**

3324364

► **Description**

Sensor Handwashing Faucet, turbine powered with battery backup, double-infrared sensor activated for pre-tempered or hot and cold water operation. All serviceable components above deck for easy installation and maintenance.

► **Flow Rates**

1.5 gpm / 5.7 Lpm – Aerated

► **Faucet Specifications**

Turbine powered, sensor-activated, electronic, chrome plated die cast body, handwashing faucet with the following features:

- All serviceable components above deck
- One tool service
- All wetted components to be stainless steel, engineered thermoplastic, EPDM, and copper or copper alloy
- Solenoid housed in removable carrier that includes supply strainer, serviceable from above deck
- Mechanical mixing, integral to spout, optional
- Vandal resistant spray insert, key housed inside faucet body
- All electronics sealed to IP-67
- Gold plated electrical contacts
- Above deck individual diagnostic indicators for battery life, solenoid condition, and power up mode
- Flexible, high pressure supply hoses, 3/8" compression connections
- Bi-stable magnetic solenoid
- Double infrared sensors with automatic setting feature
- Single hole installation
- Includes all mounting hardware
- Four (4) "AA" alkaline batteries
- Selectable Sloan programmable line purge mode eliminates stagnant water
- Operates from 1 to 125 psi
- Adjustable run time from 0-3600 seconds (Factory set at 10 second maximum run time upon continuous detection)

► **CALGreen**

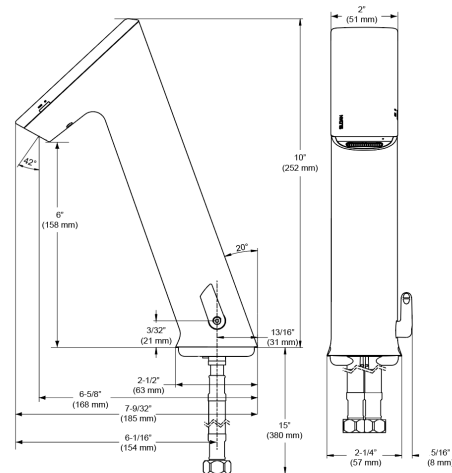
This BASYS faucet with a 10-second cycle uses 0.083 gallons of water at 0.5 gallons per minute (exceeds minimum CALGreen requirements) or 0.25 gallons of water at 1.5 gallons per minute, depending upon desired flow rate. Additionally, this BASYS faucet is Sloan reprogrammable to use 0.175 gallons of water at 1.5 gallons per minute with a 7-second cycle (exceeds minimum CALGreen requirements).

► **Legislative Compliance**

Federal Reduction of Lead in Drinking Water Act Law 111-380 (contains no more than 0.25% weighted average lead content), Section 116875 of the California Health & Safety Code, and Vermont Lead Reduction Law (Vermont Act 193).



(EFX-180.500.000 shown)



(EFX-180.500.000 shown)

► **BASYS Spec Language**

Sloan BASYS model no. EFX-180.____.____ double infrared sensor-activated electronic handwashing faucet with battery backup and line purge mode for pre-tempered or hot/cold water supplies. Product to have double infrared sensors with automatic setting feature. Solenoid valve housed in removable carrier that closes water supply upon removal eliminating need to access control stops. Solenoid carrier includes strainer for easy above-deck service. Optional thermostatic mixer complies with ASSE 1070 requirements.

► **Compliance & Certifications**

IAPMO/cUPC, UL (adapters), CE (adapters), Commonwealth of Massachusetts

UPC, IPC, NPC Canada, California Green Building Code (CALGreen), City of Los Angeles Water Efficiency Ordinance

ASME A112.18.1/CSA B125.1, NSF 372, ANSI/UL 1951, ICC/ANSI 117.1

CEC Compliant



This space for Architect/Engineer Approval

► Electrical Specifications

- Control Circuit – 6.75 VDC
- Sensor Range – Nominal: 4"– 5" (102-127 mm) Faucet Adaptive Self-Adjustment Range: 2"– 14" (51-356 mm) nominal
- Power Supplies – 6 VDC Alkaline Battery Pack

► Mixer Type Options (Digit 4)

- ISM – Integral side mixer
- BDM – Mechanical, below deck mixing valve
- BDT – Thermostatic, below deck mixing valve

► Special Finish Options* (ordered separately, late 2013)

- Physical Vapor Deposition brushed stainless (Brushed Chrome)
- Physical Vapor Deposition Brushed Nickel
- Physical Vapor Deposition Polished Brass
- * Minimum order quantities and long lead times may apply. Please contact Customer Service for details.

► Base Plate Options (Digit 8)

- Base plate for 4" centerset sink
- Base plate for 8" centerset sink

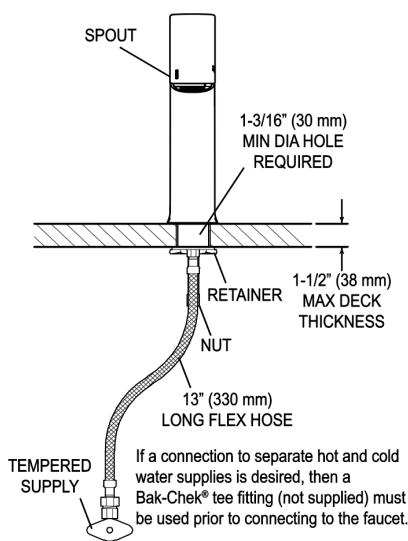
► Adapter Options (Digit 9)

- Plug-In Voltage Adapter (US) 100-240 VAC
- Plug-In Voltage Adapter (UK) 100-240 VAC
- Plug-In Voltage Adapter (EU) 90-264 VAC
- Box-Mount Adapter 120 VAC

Model Creation Guide (customize your faucet features below)

EFX -	<input type="text" value="1"/>	<input type="text" value="8"/>	<input type="text" value="0"/>	<input type="text" value="0"/>	<input type="text" value="0"/>	<input type="text" value="0"/>	<input type="text" value="0"/>	<input type="text" value="0"/>	<input type="text" value="0"/>	<input type="text" value="0"/>
	Digit 1	Digit 2	Digit 3	Digit 4	Digit 5	Digit 6	Digit 7	Digit 8	Digit 9	Digit 10
Series	Body Type	Power Type	Crown Type	Mixer Type	Sensing Type	Flow Rate	Battery Type	Base Plate	Adapter	Drain Pop-Up
EFX	1 = High IR	8 = Turbine	0 = Bowed	0 = None 1 = BDM 2 = BDT 5 = ISM	0 = Active IR	0 = 0.5 gpm Multi-Lam 2 = 1.5 gpm Aerated 3 = 1.5 gpm Laminar	0 = Alkaline	0 = None 1 = 4" 2 = 8"	0 = None	0 = No 1 = Yes

EFX-180.00X.0X0X Faucet
with Single Line Water Supply



EFX-180.50X.0X0X Faucet
with Hot & Cold Water Supply

