

BASYS®

Any Application. Any Environment.®

EFX-100.X0X.0XXX

Description

Sensor Metering Handwashing Faucet, line powered with battery back-up, double-infrared sensor activated for pre-tempered or hot and cold water operation. All serviceable components above deck for easy installation and maintenance.

Faucet Specifications

Line powered, sensor-activated, electronic, chrome plated die cast body, handwashing faucet with the following features:

- All serviceable components above deck
- One tool service
- All wetted components to be stainless steel, engineered thermoplastic, EPDM and copper or copper alloy
- Solenoid housed in removable carrier that includes supply strainer, serviceable from above deck
- Integral water supply shut off
- Vandal resistant spray insert, key housed inside faucet body
- All electronics sealed to IP-67
- Gold plated electrical contacts
- Above deck individual diagnostic indicators for battery life, solenoid condition, and power-up mode
- Flexible, high pressure supply hose, 3/8" compression connections
- Bi-stable magnetic solenoid
- Line powered using a variety of voltage adapters. (Four (4) "AA" alkaline batteries act as back-up)
- Double infrared sensors with automatic setting feature
- Single hole installation
- Includes all mounting hardware
- Selectable Sloan programmable line purge mode eliminates stagnant water
- Mechanical mixing, integral to spout, optional
- Operates from 1 to 125 psi
- Adjustable run time from 0-3600 seconds (factory set at 10 second maximum run time upon continuous detection)

Electrical Specifications

- Control Circuit – 6.75 VDC
- Sensor Range – Nominal: 4" - 5" (102-127 mm)
Faucet Adaptive Self-Adjustment Range: 2" - 14" (51-356 mm) nominal
- Power Supplies – Optional voltage adapters handle 100-264 VAC and 6 VDC Alkaline Battery Pack

Warranty

3 Year Limited



Active IR Series Faucet

BASYS® High Faucet Series
with Bowed Crown

(EFX-100.500.000 shown)

Meets or Exceeds

ASME A112.18.1/CSA B125.1, NSF 372, ANSI/UL 1951,
ICC/ANSI 117.1

Certifications

IAPMO/cUPC, UL (adapters), CE (adapters), Commonwealth of
Massachusetts

Codes Compliance

UPC, IPC, NPC Canada, California Green Building Code (CALGreen),
City of Los Angeles Water Efficiency Ordinance

CALGreen

This BASYS faucet with a 10-second cycle uses 0.083 gallons of water at 0.5 gallons per minute (exceeds minimum CALGreen requirements) or 0.25 gallons of water at 1.5 gallons per minute, depending upon desired flow rate. Additionally, this BASYS faucet is Sloan reprogrammable to use 0.175 gallons of water at 1.5 gallons per minute with a 7-second cycle (exceeds minimum CALGreen requirements).

Legislative Compliance

Federal Reduction of Lead in Drinking Water Act Law 111-380 (contains no more than 0.25% weighted average lead content), Section 116875 of the California Health & Safety Code, and Vermont Lead Reduction Law (Vermont Act 193).

ADA Compliant

BASYS Spec Language

Sloan BASYS model no. EFX-100.____.____ double infrared sensor-activated electronic handwashing faucet with battery back-up and line purge mode for pre-tempered or hot/cold water supplies. Product to have double infrared sensors with automatic setting feature. Solenoid valve housed in removable carrier that closes water supply upon removal eliminating need to access control stops. Solenoid carrier includes strainer for easy above-deck service. Optional thermostatic mixer complies with ASSE 1070 requirements.



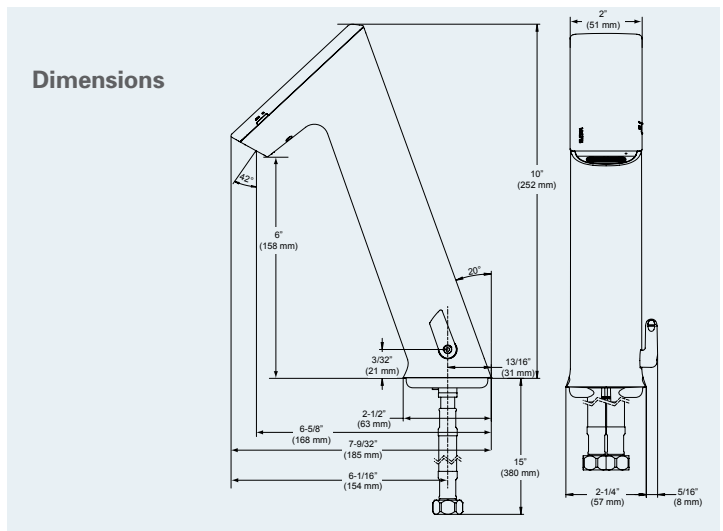
CALGreen

REV. 4 10/13

SLOAN
Water Connects Us™

EFX-100.X0X.0XXX

To build a BASYS faucet online and create a customized specification sheet, go to:
sloanvalve.com/configurator



Model Creation Guide (customize your faucet features below)

EFX - . .

Series	Digit 1 Body Type	Digit 2 Power Type	Digit 3 Crown Type	Digit 4 Mixer Type	Digit 5 Sensing Type	Digit 6 Flow Rate	Digit 7 Battery Type	Digit 8 Base Plate	Digit 9 Adapter	Digit 10 Drain Pop-Up
EFX	1 = High IR	0 = Hardwire	0 = Bowed	0 = None 1 = BDM 2 = BDT 5 = ISM	0 = Active IR	0 = 0.5 gpm Multi-Lam 2 = 1.5 gpm Aerated 3 = 1.5 gpm Laminar	0 = Alkaline	0 = None 1 = 4" 2 = 8"	0 = None 1 = EAF11 2 = EAF39 3 = EAF41 4 = EAF37	0 = No 1 = Yes

Mixer Type Options (Digit 4)

- BDM – Mechanical, below deck mixing valve
- BDT – Thermostatic, below deck mixing valve
- ISM – Integral side mixer

Flow Rate Options (Digit 6)

- 0.5 gpm/1.9 Lpm Multi-Lam Spray
- 1.5 gpm/5.7 Lpm Aerated Stream
- 1.5 gpm/5.7 Lpm Laminar Stream

Base Plate Options (Digit 8)

- Base plate for 4" centerset sink
- Base plate for 8" centerset sink

Adapter Options (Digit 9)

- EAF-11 – Plug-In Voltage Adapter (US) 100-240 VAC
- EAF-39 – Plug-In Voltage Adapter (UK) 100-240 VAC
- EAF-41 – Plug-In Voltage Adapter (EU) 90-264 VAC
- EAF-37 – Box-Mount Adapter 120 VAC

Special Finish Options* (ordered separately, late 2013)

- PVDSF – Physical Vapor Deposition Satin Finish (Brushed Chrome)
- PVDBN – Physical Vapor Deposition Brushed Nickel
- PVDPB – Physical Vapor Deposition Polished Brass

* Minimum order quantities and long lead times may apply. Please contact Customer Service for details.

Accessories (ordered separately)

- EAF-23 – Splitter (included in hardwire less adapter)
- EAF-24-A – 11¹³/₁₆" Extension Cable
- EAF-25-A – 47¹/₄" Extension Cable
- EAF-17-A – 126" Extension Cable

