

CODE NUMBER

70001401

DESCRIPTION

SU-7009 Urinal and ECOS 8186 Flushometer.

COMPONENTS

- Flushometer: Code 3250325
- Urinal: Code 1107009

DETAILS

- Flush Volume: 0.125 gpf (0.5 Lpf)
- Nominal Dimensions: 14 ¾" x 14 187/1000" x 23 ½" (375 x 360 x 597mm)

FLUSHOMETER FEATURES

- Flex Tube Diaphragm designed for improved life and reduced maintenance
- Synthetic rubber seals for chloramine resistance
- "Low Battery" Flashing LED
- Sweat solder adapter with cover tube and cast wall flange with set screw
- Stop Seat and Vacuum Breaker Molded from PERMEX® Rubber Compound for Chloramine resistance
- Infrared Sensor with Multiple-focused, Lobular Sensing Fields for high and low target detection
- Fixed Metering Bypass and No External Volume Adjustment to Ensure Water Conservation
- Engineered Metal Cover with replaceable Lens Window
- Four (4) Size AA alkaline Batteries included
- Courtesy Flush® Override Button (optional)
- ADA Compliant Sloan ECOS® Battery powered Infrared Sensor for automatic "No Hands" operation
- 3/4" IPS screwdriver Bak-Chek® angle stop with vandal resistant stop cap

PERMEX® Synthetic Rubber Diaphragm with Dual Filtered Fixed Bypass

FIXTURE FEATURES

- White Vitreous China
- Washdown flushing action
- Integral flushing rim
- ¾" I.P.S. top spud inlet
- 2" NPT outlet flange
- Vandal resistant strainer assembly included
- All mounting hardware included
- 100% factory flush tested



COMPLIANCES & CERTIFICATIONS



(ADA Compliant, BAA Compliant, WaterSense Listed, BREEAM Materials Credit, BREEAM Water Credit, CalGreen Compliant, CEC Compliant, cUPC Green Certified, EPD, Green Globes Materials & Resources Credit, Green Globes Water Credit, HPD, LEED Materials & Resources EPD Credit, LEED Materials & Resources HPD Credit, LEED V4 Water Efficiency Credit, Satisfies LEED Credits)

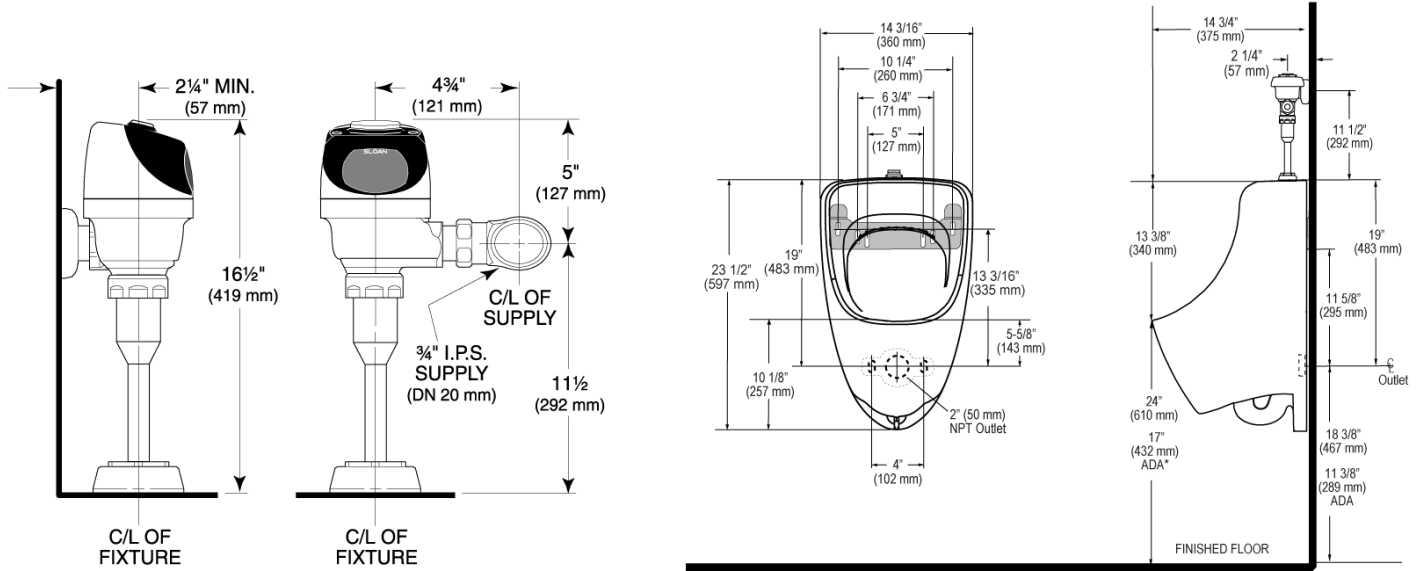
DOWNLOADS

- [Small Spud Urinal Installation Instructions](#)
- [SS/ST/SU/WETS/WEUS Fixtures Repair and Maintenance Guide](#)
- [Additional Downloads](#)

NOTES

All information contained within this document subject to change without notice.

ROUGH-IN



Sloan 10500 Seymour Ave, Franklin Park, IL 60131
Phone: 800.982.5839 • Fax: 800.447.8329 • sloan.com