

CODE NUMBER

3771612

DESCRIPTION

1.6 gpf, Rough Brass Finish, Single Flush, 13-14.75 L Dimension, Electrical Override, Hardwired, Sensor-Operated, Standard (not included, order separately), Front Accessible Wall Box, Sloan® Concealed Sensor Hardwired Water Closet Flushometer.

DETAILS

- Flush Volume: 1.6 gpf (6.0 Lpf)
- Finish: Rough Brass (RB)
- Power Type: Hardwired (HW)
- Valve: Diaphragm
- Valve Body Material: Semi-red Brass
- Fixture Type: Water Closet
- Fixture Connection: Rear spud
- Rough-In Dimension: 24" (610mm)
- Spud Coupling: 1 ½" (38mm)
- Supply Pipe: 1" (25mm)
- L Dimension: 13" - 14 ¾" (330 - 375mm) (13-14-3/4-LDIM)
- Override: Electrical (OR)
- Wall Box: Standard (not included, order separately), Front Accessible

FEATURES

- Flush volumes start as low as 1.6 gpf/6.0 Lpf;
- Water conservation is aided by the ADA-compliant, non-hold-open handle;
- Flush accuracy is controlled by CID™ technology, also enhancing water efficiency;
- Durability is facilitated with high copper, low zinc brass castings for dezincification resistance;
- Adjustable tailpiece to accommodate different height requirements.
- High chloramine resistant PERMEX synthetic rubber diaphragm with Linear Filtered Bypass and Vortex Cleansing Action
- Valve body, Cover, Tailpiece and Control Stop shall be in compliance with ASTM Alloy Classification for Semi-Red Brass
- Valve shall be in compliance to the applicable sections of ASSE 1037.

VIDEOS



COMPLIANCES & CERTIFICATIONS



(ADA Compliant, cUPC Certified, BAA Compliant, UL Certified)

RECOMMENDED SPECIFICATION

Valve Body, Cover, Tailpiece and Control Stop shall be in conformance with ASTM Alloy Classification for Semi- Red Brass. Valve shall be in compliance with the applicable sections of ASSE 1037 and ANSI/ASME 112.19.2.

ELECTRICAL SPECIFICATIONS

- Arming Delay: 16 seconds

VALVE OPERATING PRESSURE (FLOWING)

15-80 PSI (103-552 kPa). Specific fixtures may require greater minimum flowing pressure - consult manufacturer requirements.

DOWNLOADS

- [Sloan 152/195 ESS TMO Installation Instructions](#)
- [Sloan Concealed Installation Instructions](#)
- [Sloan Concealed Spanish Installation Instructions](#)
- [Sloan/Regal ESS Repair and Maintenance Guide](#)
- [Additional Downloads](#)

NOTES

All information contained within this document subject to change without notice.

Looking for other variations of the SLOAN 152 ESS product?
[View the general spec sheet with all options.](#)

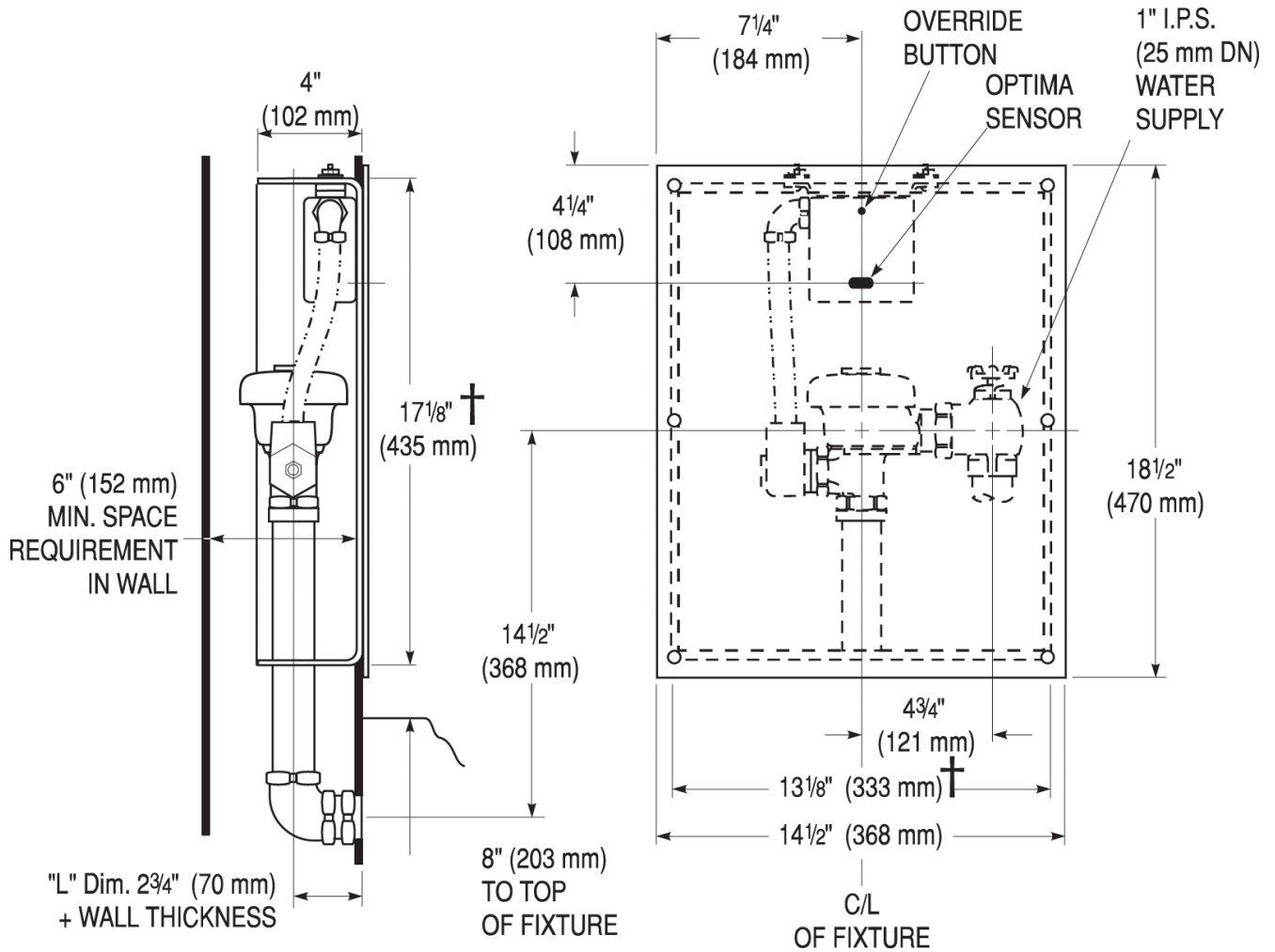
[Find a compatible urinal](#) for this flushometer.

[Find a compatible water closet](#) for this flushometer.

Sloan 10500 Seymour Ave, Franklin Park, IL 60131

Phone: 800.982.5839 • Fax: 800.447.8329 • sloan.com

ROUGH-IN



Sloan 10500 Seymour Ave, Franklin Park, IL 60131
Phone: 800.982.5839 • Fax: 800.447.8329 • sloan.com