

**CODE NUMBER**

3346161

**DESCRIPTION**

Graphite Finish, Sloan® Deck-Mounted Foam Soap Dispenser.

**DETAILS**

- Finish: Graphite (GR)
- Power Type: Battery
- Height: 3 17/20" (98mm)
- Width: 1 9/10" (48mm)
- Depth: 5 21/25" (148mm)
- Sensor Type: IR

**FEATURES**

Sensor Activated, Electronic, PVD Graphite Finish Die Cast Body, Hand Washing Foam Soap Dispenser with the following features:

1. Modular one-piece construction easily attaches to deck surface
  2. All electronics in spout are sealed
  3. Designed for drip free foam dispensing operation
  4. Motor Assembly suspended under counter connected to soap dispenser spout
  5. Motor Assembly rotates 360 degrees for easy installation
  6. Battery life of 45,000 activations
  7. 1,500 dispenses per foam soap bottle
  8. Ships with 2 bottles of non-scented, non-colored foam soap (1500ml per bottle)
  9. Additional foam soap can be purchased through Sloan (ESD-325) or GOJO distribution (8565-04-N6300GN)
  10. Ships with battery pack (4 "D" Alkaline batteries included)
  11. Sensor range - nominal 5"
  12. GFI outlet suggested per code
  13. 120V/15 Amp
  14. Optional AC adaptor can be purchased separately (part number 0346090)
- Select the ESD-411 to combine ESD-410 soap dispenser, 2 bottles of soap and the EBF-415 faucet

**SOAP REFILLS**

- ESD-325 (1500mL)

**VIDEOS**

-  PVD Special Finishes

**COMPLIANCES & CERTIFICATIONS**

(ADA Compliant)

**RECOMMENDED SPECIFICATION**

Sloan Foam Soap Dispenser model number ESD-410. Graphite Dispenser. Supplied with 2 bottles of 1500ml soap.

**DOWNLOADS**

- [ESD Series Installation Instructions](#)
- [ESD-500/600/700/800/1500/2000/2100 Repair and Maintenance Guide](#)
- [Additional Downloads](#)

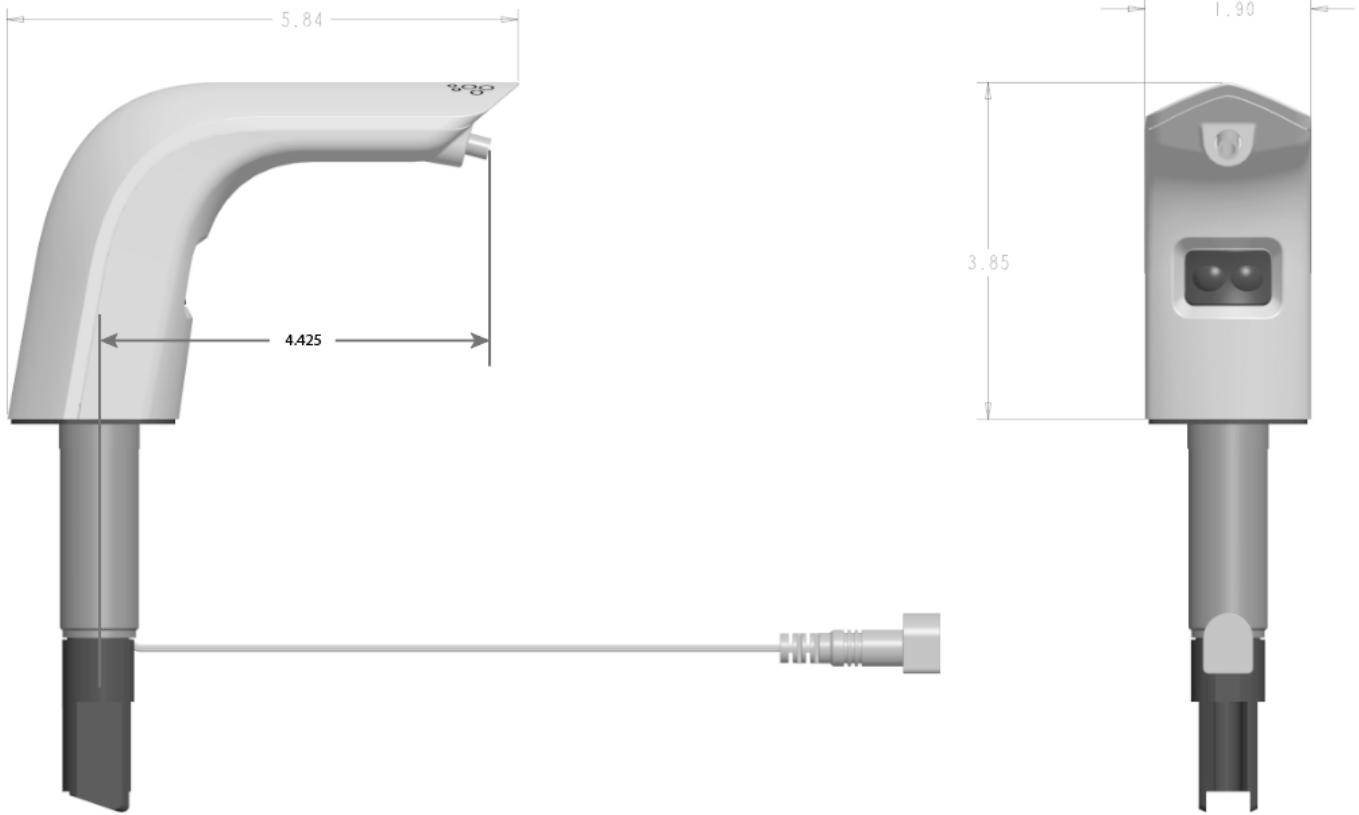
**NOTES**

All information contained within this document subject to change without notice.

Sloan 10500 Seymour Ave, Franklin Park, IL 60131

Phone: 800.982.5839 • Fax: 800.447.8329 • [sloan.com](http://sloan.com)

**ROUGH-IN**



**Sloan 10500 Seymour Ave, Franklin Park, IL 60131**  
Phone: 800.982.5839 • Fax: 800.447.8329 • [sloan.com](http://sloan.com)