

CODE NUMBER

3346070

DESCRIPTION

Plug-In Transformer, Polished Brass Finish, Optima® Deck-Mounted Liquid Soap Dispenser.

DETAILS

- Finish: Polished Brass (PB)
- Power Type: Hardwired
- Height: 4 ¼" (108mm)
- Width: 1 813/1000" (46mm)
- Depth: 5 ⅜" (137mm)
- Sensor Type: IR
- Transformer: Plug-In (PLG)

FEATURES

Sensor Activated, Electronic, Chrome Plated Die Cast Body, Hand Washing Liquid Soap Dispenser with the following features:

- Modular One-piece Construction and easily attaches to deck surface
- Polished Brass
- Active Infrared Sensor
- 120 V AC Plug-in Adaptor
- Low Soap Level Indicator
- One tool service
- All electronics sealed
- Unit supplied with one 800 ml. Container of Lotion Soap

SOAP REFILLS

- ESD-217 (800mL)
- ESD-232 (1600mL)
- ESD-231 (800mL)
- ESD-233 (1600mL)

**COMPLIANCES & CERTIFICATIONS**

(ADA Compliant)

RECOMMENDED SPECIFICATION

Sloan Optima Liquid Soap Dispenser model number ESD-300. Chrome plated finish with black plastic throat plate.

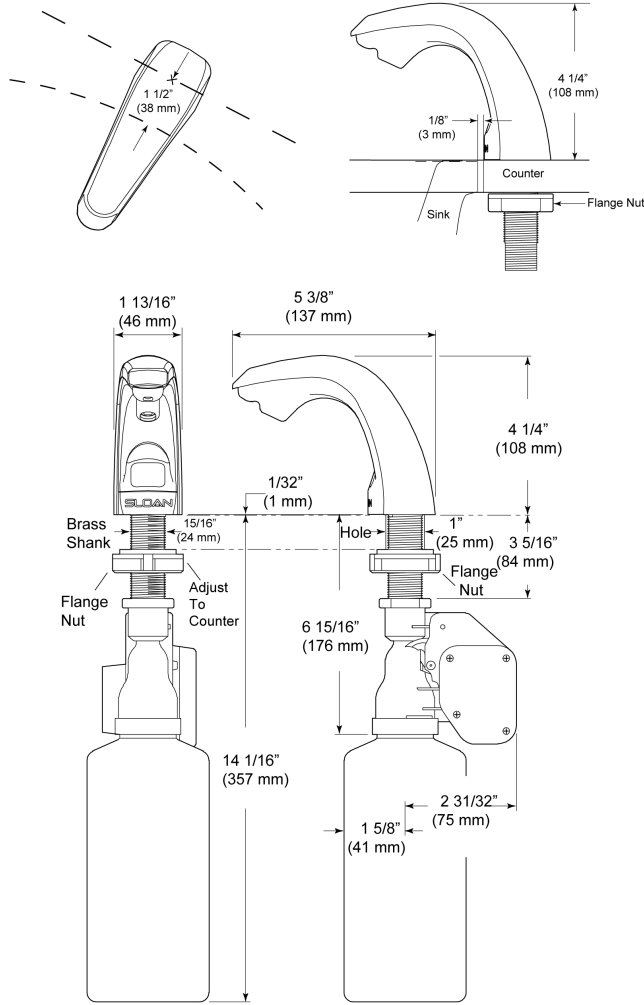
DOWNLOADS

- [ESD 200/250/300/350 Installation Instructions](#)
- [ESD-200/250/300/350 Repair and Maintenance Guide](#)
- [Additional Downloads](#)

NOTES

All information contained within this document subject to change without notice.

ROUGH-IN



Sloan 10500 Seymour Ave, Franklin Park, IL 60131
 Phone: 800.982.5839 • Fax: 800.447.8329 • sloan.com