

► **Code Number**
3335132

► **Description**
Sensor Activated Electronic Hand Washing Faucet for pre-tempered or hot and cold water operation.

► **Flow Rate**
1.0 gpm, Single Hole install, Polished Chrome.

► **Specifications**
Sensor Activated, Electronic, Chrome Plated Die-Cast Metal, Hand Washing Faucet with the following features:

- Modular One-piece Construction with all Concealed Components above deck
- Appropriate Mounting Hardware included
- Automatic Self-adapting Sensor Technology
- Magnetic Solenoid Valve
- Water Supply Connection with Flexible High-pressure Hose and Strainer
- Double Infrared Sensors with Automatic Setup and Indicator Light
- Optional 24 Hour Sentinel Activation
- 6 Volt DC Plug-in Adapter (Included with (-P) faucets and must be ordered separately with (-LT) faucets)
- Daisy Chain Electrical Splitter Cable included with Less transformer (-LT) faucets

- **Variations**
- IC - i.q. Click feature
 - LT - Less Transformer



► **The new Optima® faucet — Bringing intelligence to water**

Sloan's Optima i.q. EAF-100 Series electronic hand washing faucets activates by means of a dual infrared sensor and microprocessor based logic that utilize self-adapting technology to ensure superior performance. The modular design incorporates all of the operating components of the faucet, including the sensor, solenoid and circuitry above the sink within a die-cast metal spout.

Optional ISM models feature an integral temperature control lever which allows the user to adjust the water temperature. This adjustment can also be converted to a fixed setting. EAF faucets ordered without the ISM variation must be connected to a single, pre-tempered water supply.

Optima i.q. EAF-100 series faucets are powered by a 6 VDC plug-in adapter. Each plug-in adapter can supply power for up to six (6) faucets by means of the Daisy Chain Electrical Splitter (optional) with each (-LT) faucet.

► **Compliance & Certifications**



ASME A112.18.1-2011/CSA B125.1-11, NSF372, ICC/ANSI 117.1



This space for Architect/Engineer Approval

► Control Circuit

6 VDC — Includes Auto Set Range Adjustment and Low Battery Indicator LED

► Sensor Range

Nominal: 4" - 5" (102 mm - 127 mm)

Faucet Adaptive Self-adjustment Range: 2"-14" (51 mm - 356 mm) nominal

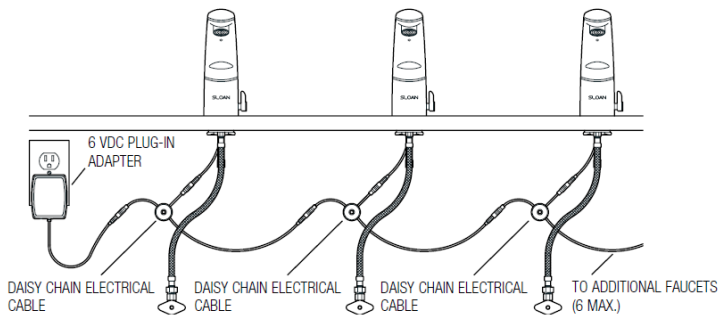
► Power Supply

120 VAC/6 VDC Plug-in Adapter

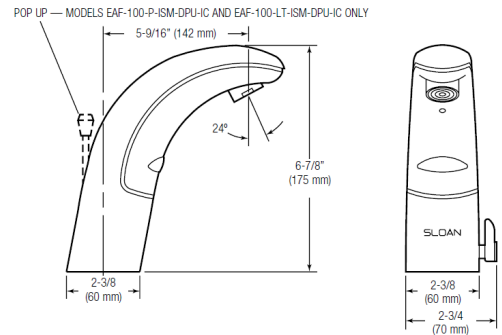
► Time Out Setting

30 seconds — Maximum time faucet will run upon continuous detection

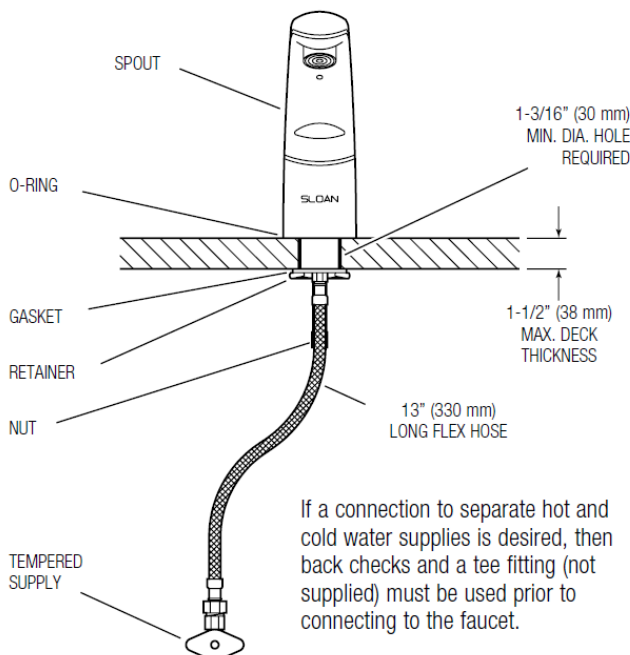
► ELECTRICAL CONNECTION FOR UP TO SIX (6) FAUCETS USING ONE (1) ADAPTER



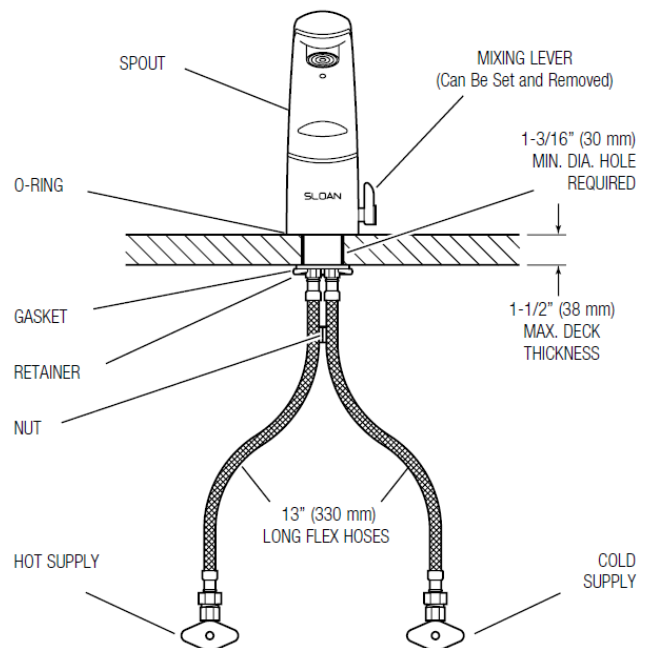
► Rough-in Dimensions (side view)



EAF-100, EAF-100-LT, EAF-100-P, EAF-100-P-IC, AND EAF-100-LT-IC Faucets with Single Line Water Supply



EAF-100-ISM, EAF-100-ISM-IC AND EAF-100-ISM-DPU-IC Faucets with Hot and Cold Water Supply





**Optima® Faucet
EAF-100-LT CP ELECT FCT (IQ)
1.0GPM**
