

CODE NUMBER

22222001

DESCRIPTION

ST-2229 Water Closet and WES 111 Flushometer.

COMPONENTS

- Flushometer: Code 3720000
- Water Closet: Code 2102229

DETAILS

- Flush Volume: 1.6/1.1 gpf (6.0/4.2 Lpf)
- Nominal Dimensions: 26 ¾" x 14" x 16 ½" (679 x 356 x 419mm)

FLUSHOMETER FEATURES

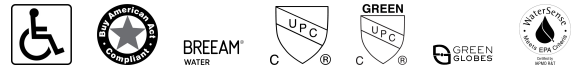
- Lifting Handle UP initiates reduced flush (1.1 gpf/4.2 Lpf), eliminating liquid and paper waste, saving a 1/2-gallon of water
- Pushing Handle DOWN initiates full flush (1.6 gpf/6.0 Lpf), eliminating all waste
- Reduces water volume by up to 30% when activated UPWARDS
- PERMEX® Synthetic Rubber Diaphragm with Dual Filtered Fixed Bypass
- ADA Metal Non-Hold-Open Handle with Triple Seal Handle Packing
- Sweat Solder Adapter with Cover Tube & Cast Wall Flange with Set Screw
- Non-Hold-Open Handle, Fixed Metering Bypass and No External Volume Adjustment to Ensure Water Conservation
- Diaphragm, Handle Packing and Vacuum Breaker to be molded from PERMEX® Rubber Compound for Chloramine Resistance
- Includes two (2) adhesive backed Metal Wall Plates etched with Instructions

FIXTURE FEATURES

- White Vitreous China
- Universal model works with Sloan flushometers from 1.1 to 1.6 gpf
- Elongated bowl
- Floor mounted, rear outlet
- Water spot area: 10¼" x 8" (26 cm x 24 cm)
- 1½" I.P.S. top spud inlet
- 2⅝" fully glazed trapway
- Syphonjet flushing achieves up to 1000g Map Scores when used with Sloan flushometers
- Closet bolts and caps included
- Toilet seat not included



COMPLIANCES & CERTIFICATIONS



(ADA Compliant, BAA Compliant, BREEAM Water Credit, cUPC Certified, cUPC Green Certified, Green Globes Water Credit, WaterSense Listed)

DOWNLOADS

- [HET ST-2229 Series Installation Instructions](#)
- [UPPERCUT Installation Instructions](#)
- [Additional Downloads](#)

NOTES

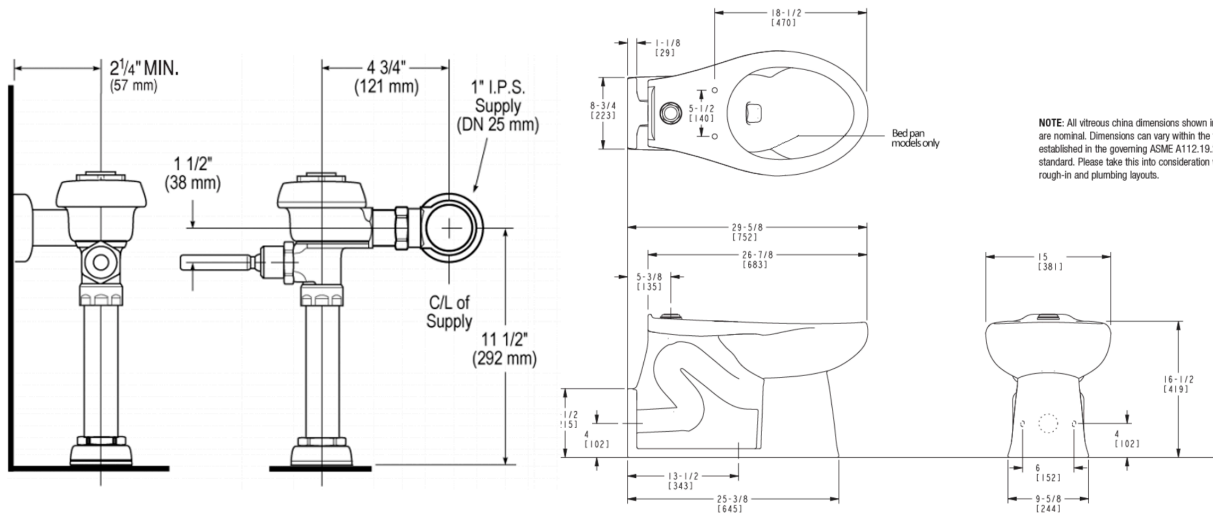
All information contained within this document subject to change without notice.

Static load tested according to the procedure outlined in Section 6.7 of ASME A112.19.2. Not recommended for bariatric use.

Sloan 10500 Seymour Ave, Franklin Park, IL 60131

Phone: 800.982.5839 • Fax: 800.447.8329 • sloan.com

ROUGH-IN



Sloan 10500 Seymour Ave, Franklin Park, IL 60131
 Phone: 800.982.5839 • Fax: 800.447.8329 • sloan.com