

CODE NUMBER

2172029

DESCRIPTION

Vitreous China Floor-Mounted ADA Water Closet with SloanTec® Glaze.

DETAILS

- Flush Volume: 1.1 - 1.6 gpf (4.2 - 6.0 Lpf)
- Flush volume determined by the flushometer used with the fixture
- Rim Height: 17" (432mm)
- Nominal Dimensions: 26 3/4" x 14" x 17" (679 x 356 x 432mm)

FEATURES

- White Vitreous China
- Permanent SloanTec® hydrophobic antimicrobial glaze inhibits the growth and buildup of germs, bacteria, mold, mildew and mineral scale on the surfaces
- Elongated bowl
- Floor mounted, floor outlet
- Siphon jet flushing action achieves 1000g Map score when used with any Sloan flushometer
- Water spot area: 10 1/8" x 9 3/8" (26 cm x 24 cm)
- 1 1/2" I.P.S. top spud inlet
- 2 1/8" fully glazed trapway
- Closet bolts and caps included
- Toilet seat not included
- Static load rating of 1000 lbs. (See Notes)

RECOMMENDED SEATS

- Bemis - 1955CT/1955SSCT & 2155CT/2155SSCT
- Church - 295CT/295SSCT & 2155CT/2155SSCT

PLUMBING SYSTEM REQUIREMENTS

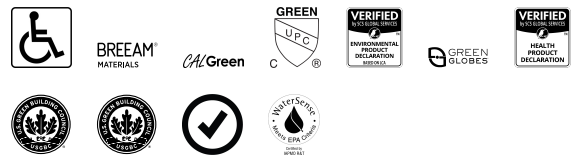
- Minimum Flowing Pressure: 25 PSI (172 kPa)
- Maximum Static Pressure: 80 PSI (552 kPa)
- Minimum Flow Rate: 25 gpm (95 Lpm)

DOWNLOADS

- [Top Spud FM ADA Closets Installation Instructions](#)
- [SS/ST/SU/WETS/WEUS Fixtures Repair and Maintenance Guide](#)
- [Additional Downloads](#)



COMPLIANCES & CERTIFICATIONS



(ADA Compliant, BREEAM Materials Credit, CalGreen Compliant, cUPC Green Certified, EPD, Green Globes Materials & Resources Credit, HPD, LEED Materials & Resources EPD Credit, LEED Materials & Resources HPD Credit, Satisfies LEED Credits, WaterSense Listed)

NOTES

All information contained within this document subject to change without notice.

All vitreous china dimensions shown in these drawings are nominal and not to scale. Dimensions can vary within the tolerances established in the governing ASME A112.19.2/CSA B45.1 standard. It is important to consider this when planning rough-in and plumbing layouts.

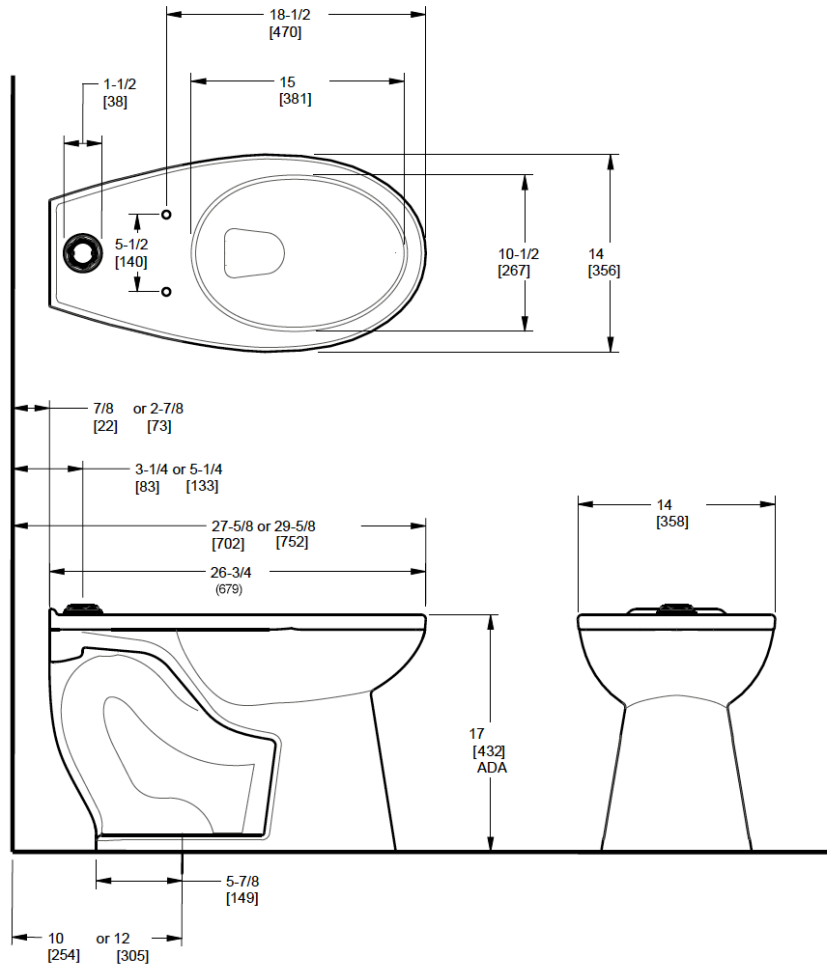
Static load tested according to the procedure outlined in Section 6.7 of ASME A112.19.2. Not recommended for bariatric use.

[Find a compatible flushometer](#) for this water closet.

Sloan 10500 Seymour Ave, Franklin Park, IL 60131

Phone: 800.982.5839 • Fax: 800.447.8329 • sloan.com

ROUGH-IN



Sloan 10500 Seymour Ave, Franklin Park, IL 60131
 Phone: 800.982.5839 • Fax: 800.447.8329 • sloan.com