

**CODE NUMBER**

20231401

**DESCRIPTION**

ST-2029 Water Closet and SLOAN 111 ESS Flushometer.

**COMPONENTS**

- Flushometer: Code 3770000
- Water Closet: Code 2102029

**DETAILS**

- Flush Volume: 1.6 gpf (6.0 Lpf)
- Nominal Dimensions: 26 ¾" x 14" x 17" (679 x 356 x 432mm)

**FLUSHOMETER FEATURES**

- Vacuum Breaker with Flush Connection
- Sweat Solder Adapter with Cover Tube and Cast Wall Flange
- User friendly three (3) second Flush Delay
- No External Volume Adjustment to Ensure Water Conservation
- OPTIMA® EL-1500 Self-Adaptive Infrared Sensor with Indicator Light
- I.P.S. Screwdriver Bak-Chek® Angle Stop with Vandal Resistant Stop Cap
- Courtesy Flush® Override Button
- High Chloramine Resistant PERMEX® Synthetic Rubber Diaphragm with Linear Filtered Bypass and Vortex Cleansing Action™
- Diaphragm, Stop Seat and Vacuum Breaker to be molded from PERMEX® rubber compound for Chloramine resistance

**FIXTURE FEATURES**

- White Vitreous China
- Elongated bowl
- Floor mounted, floor outlet
- Siphon jet flushing action achieves 1000g Map score when used with any Sloan flushometer
- Water spot area: 10⅞" x 9⅜" (26 cm x 24 cm)
- 1½" I.P.S. top spud inlet
- 2⅜" fully glazed trapway
- Closet bolts and caps included
- Toilet seat not included
- Static load rating of 1000 lbs. (See Notes)



**COMPLIANCES & CERTIFICATIONS**



(ADA Compliant, cUPC Certified, UL Certified, BAA Compliant)

**DOWNLOADS**

- [HET Wall Hung Installation Instructions](#)
- [G2 Optima Plus Installation Instructions](#)
- [Optima Sensor Activated Royal Installation Instructions](#)
- [SS/ST/SU/WETS/WEUS Fixtures Repair and Maintenance Guide](#)
- [Additional Downloads](#)

**NOTES**

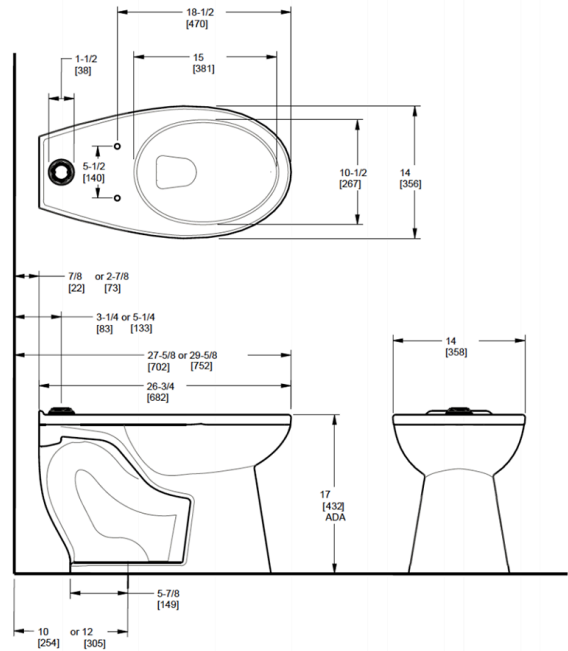
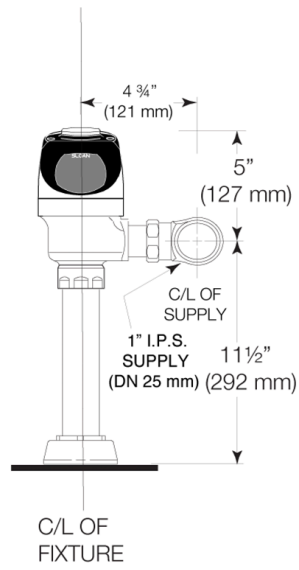
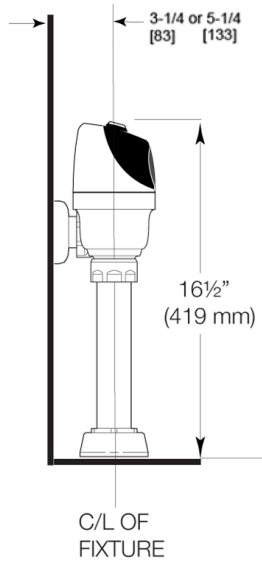
All information contained within this document subject to change without notice.

Static load tested according to the procedure outlined in Section 6.7 of ASME A112.19.2. Not recommended for bariatric use.

**Sloan 10500 Seymour Ave, Franklin Park, IL 60131**

Phone: 800.982.5839 • Fax: 800.447.8329 • [sloan.com](http://sloan.com)

**ROUGH-IN**



**Sloan 10500 Seymour Ave, Franklin Park, IL 60131**  
Phone: 800.982.5839 • Fax: 800.447.8329 • [sloan.com](http://sloan.com)