

DESCRIPTION

SloanStone® Solid Surface 2-Station Wall-Mounted Lavatory System Sink.

DETAILS

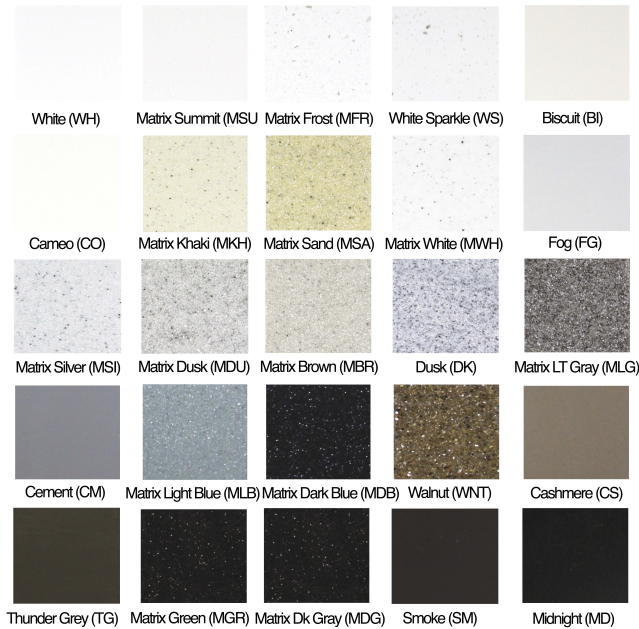
- Material: SloanStone Solid Surface
- Enclosure Type: Stainless Solid
- Width: 50" (1,270mm)

FEATURES

Double Station Lavatory System with the following features:

- Dual protected integrated overflows
- 1 1/4" chrome plated brass drains with grid strainers
- No visible fasteners or obvious access points
- Below deck Thermostatic Mixing Valve, standard
- All ADA and TAS lavatory standards achieved in a single design
- Aesthetically pleasing soft contoured one-piece continuous Basin
- Basin and Integrated Head constructed of durable SloanStone solid surface material
- Concealed Cabinet Frame constructed of heavy duty 16 gauge type 304 stainless steel accented with 18 gauge brushed stainless steel Front Panel

COLORS



COMPLIANCES & CERTIFICATIONS



(ADA Compliant, cUPC Certified, IGC156)

RECOMMENDED SPECIFICATION

SloanStone Series Sink model no. ELS 7X000 Lavatory Style Sink. Product to be molded using SloanStone solid surface. Sink design to be ADA compliant and IAPMO certified.

DOWNLOADS

- [ELS Installation Instructions](#)
- [ELS \(Spanish\) Installation Instructions](#)
- [ELS-72000/73000 Series Repair and Maintenance Guide](#)
- [Additional Downloads](#)

NOTES

All information contained within this document subject to change without notice.




Looking for other variations of the ELS-72000 product? [View the general spec sheet with all options.](#)

- [Find a compatible faucet](#) for this sink.
- [Find a matching soap dispenser](#) for this sink.



WARRANTY

[View Warranty Information](#)

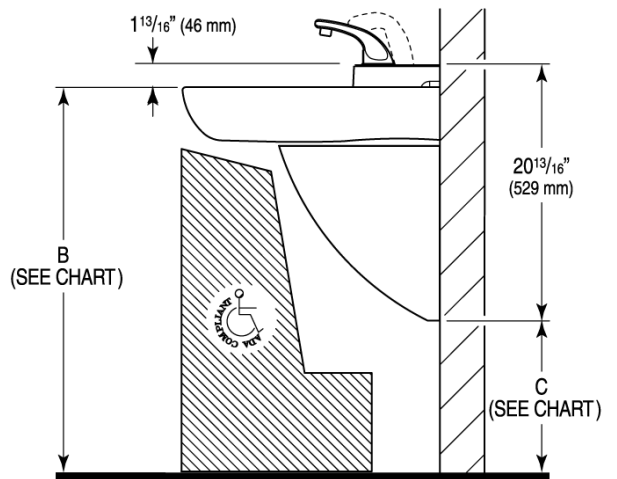
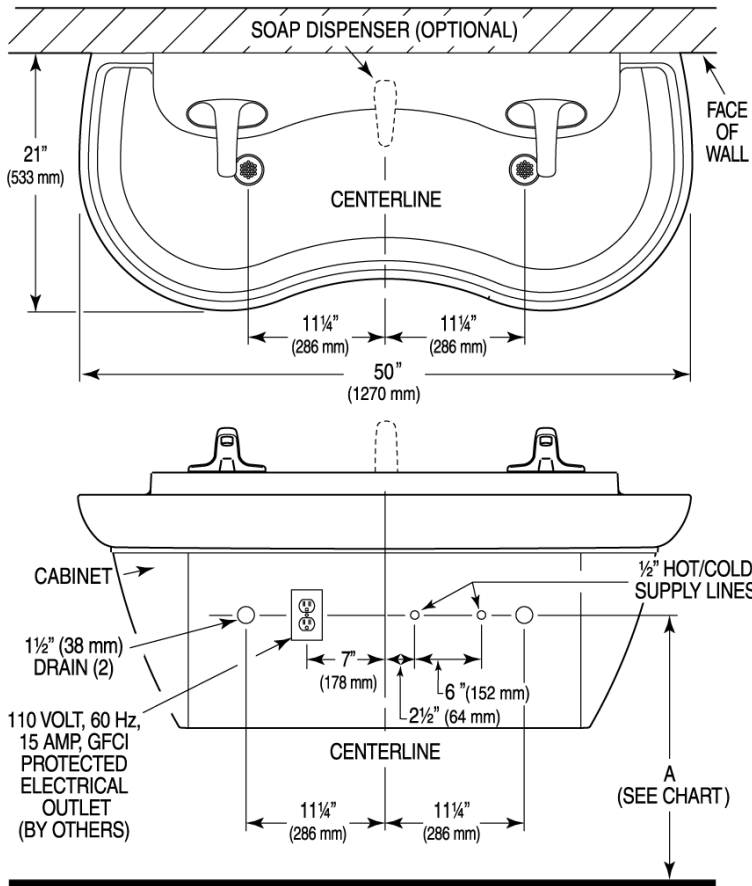
SUGGESTED FAUCETS

	Name	Description
	EAF-350	View more info
	SF-2100	View more info
	SF-2150	View more info

SUGGESTED SOAP DISPENSERS

	Name	Description
	ESD-600	View more info
	ESD-2100	View more info

ROUGH-IN



Sloan 10500 Seymour Ave, Franklin Park, IL 60131

Phone: 800.982.5839 • Fax: 800.447.8329 • sloan.com