

**CODE NUMBER**

1007000

**DESCRIPTION**

Vitreous China Waterfree Urinal.

**DETAILS**

- Nominal Dimensions: 14 5/8" x 12 3/4" x 21 7/8" (371 x 324 x 556mm)

**FEATURES**

- White Vitreous China
- Cartridge housing assembly
- All mounting hardware included
- One (1) replaceable cartridge included†
- Touch-free, hygienic operation
- Up to 5x cleaner than flushing urinals

**CARTRIDGE SPECIFICATIONS**

- Enhanced patented design maximizes life, prevents sealant loss and virtually eliminates odor
- Biodegradable sealant liquid
- Vandal resistant locking design
- 20% less plastic than previous designs
- Average of 7,000 uses can save up to 40,000 gallons of water annually
- Replacement cartridges sold separately

**DOWNLOADS**

- [WES-7000 Installation Instructions](#)
- [Cleaning and Cartridge Replacement Repair and Maintenance Guide](#)
- [Additional Downloads](#)



**COMPLIANCES & CERTIFICATIONS**



(ADA Compliant, BREEAM Water Credit, CalGreen Compliant, CEC Compliant, cUPC Certified, Declare, Green Globes Water Credit, LBC Credit, LEED V4 Water Efficiency Credit, Red List Free, Satisfies LEED Credits)

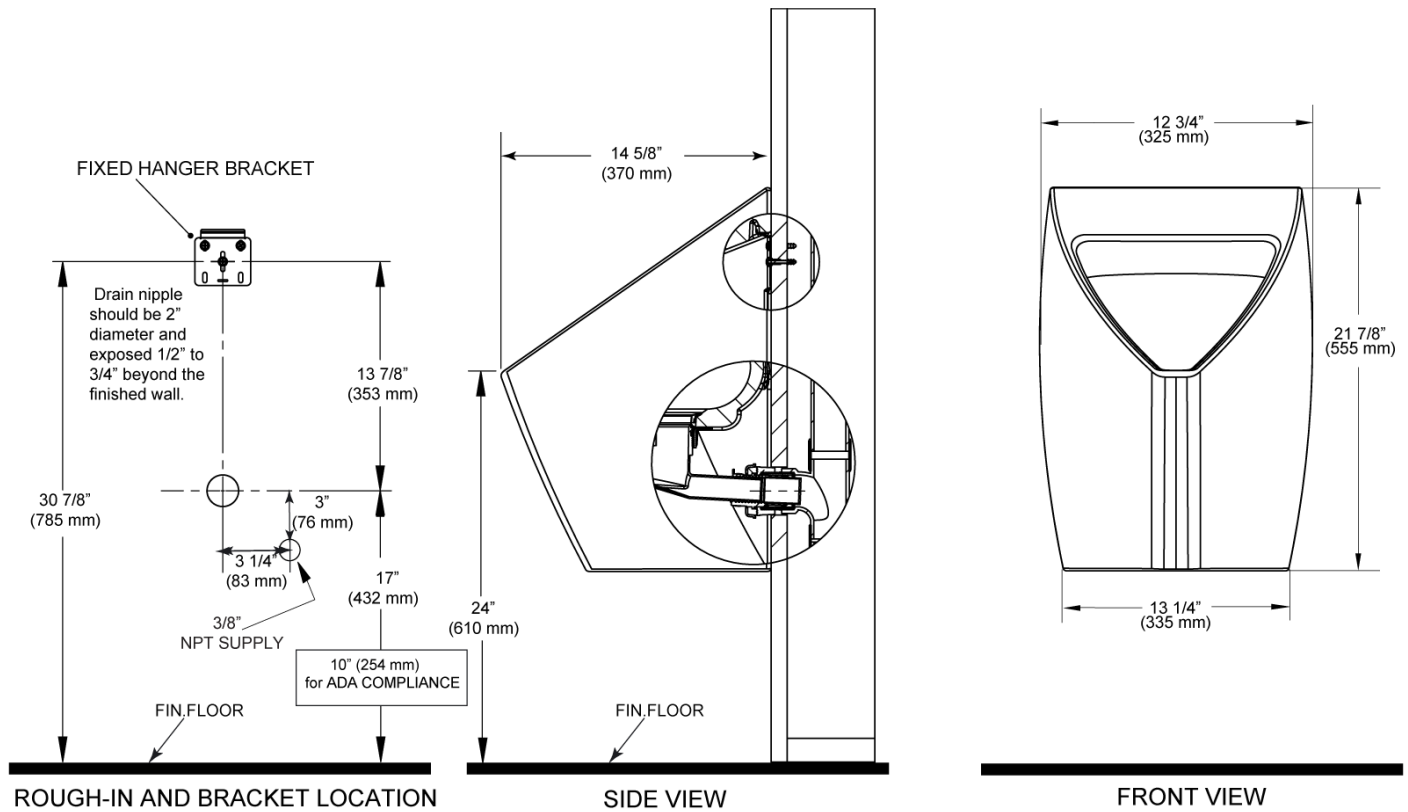
**NOTES**

All information contained within this document subject to change without notice.

All vitreous china dimensions shown in these drawings are nominal and not to scale. Dimensions can vary within the tolerances established in the governing ASME A112.19.2/CSA B45.1 standard. It is important to consider this when planning rough-in and plumbing layouts.

DO NOT install on copper DWV due to copper's susceptibility to corrosion.

**ROUGH-IN**



NOTE: ADA urinal rim height requirements allow all heights 17" and below. Sloan strongly recommends roughing in the drain to achieve a 16½" rim height or less to ensure compliance.