



Sensor hand dryer: M092A-UL-I
(bright chrome finish)



Sensor water and tap dispenser: GAJ002A-120V
(bright chrome finish)

Full set code: UCM092A-UL-I

General description

- The All-In-One faucet system is an elegant and European-designed touch-free automatic **countertop mounted soap, water, and hand drying solution** perfect for any high-traffic restroom.
- It is designed to avoid splashed water near the sink area, save space, and be highly-efficient for users when cleaning up in a restroom.
- The Saniflow® All-in-One faucet system is **eco-friendly** and produces a cost-savings margin of more than 73% compared to similar solutions on the market.
- The electric hand dryer designed to work with the system is the **Machflow® Plus** which has an adjustable power motor that regulates energy consumption (between 390 and 1,050W) and provides a maximum air output speed of 250 mph that dries your hands between **10-15 seconds**.
- With a **HEPA** filter media as well as **Ion Hygienic Technology** to stop the spread of harmful bacteria in the air, this will be sure to dry hands in the most hygienic way possible.

Components and materials

- **SENSOR OPERATED HAND DRYER (M092A-UL-I):** based on one of our most successful hand dryers, the Machflow Plus M09A, this countertop mounted hand dryer is capable of drying hands in just 10 seconds thanks to a pleasant jet of air that can reach speeds of 250 MPH. The tap is made of chrome-plated brass, with a bright finish.
- **SENSOR OPERATED WATER TAP AND SOAP DISPENSER (GAJ002AC-120V):** made of chrome-plated brass, with a bright finish, this faucet dispenses water and soap from the same tap. The sensor placed just on the upper right side of the tap is in charge of dispensing soap whereas the sensor placed just above the water outlet is in charge of opening the valve, making the water come out.

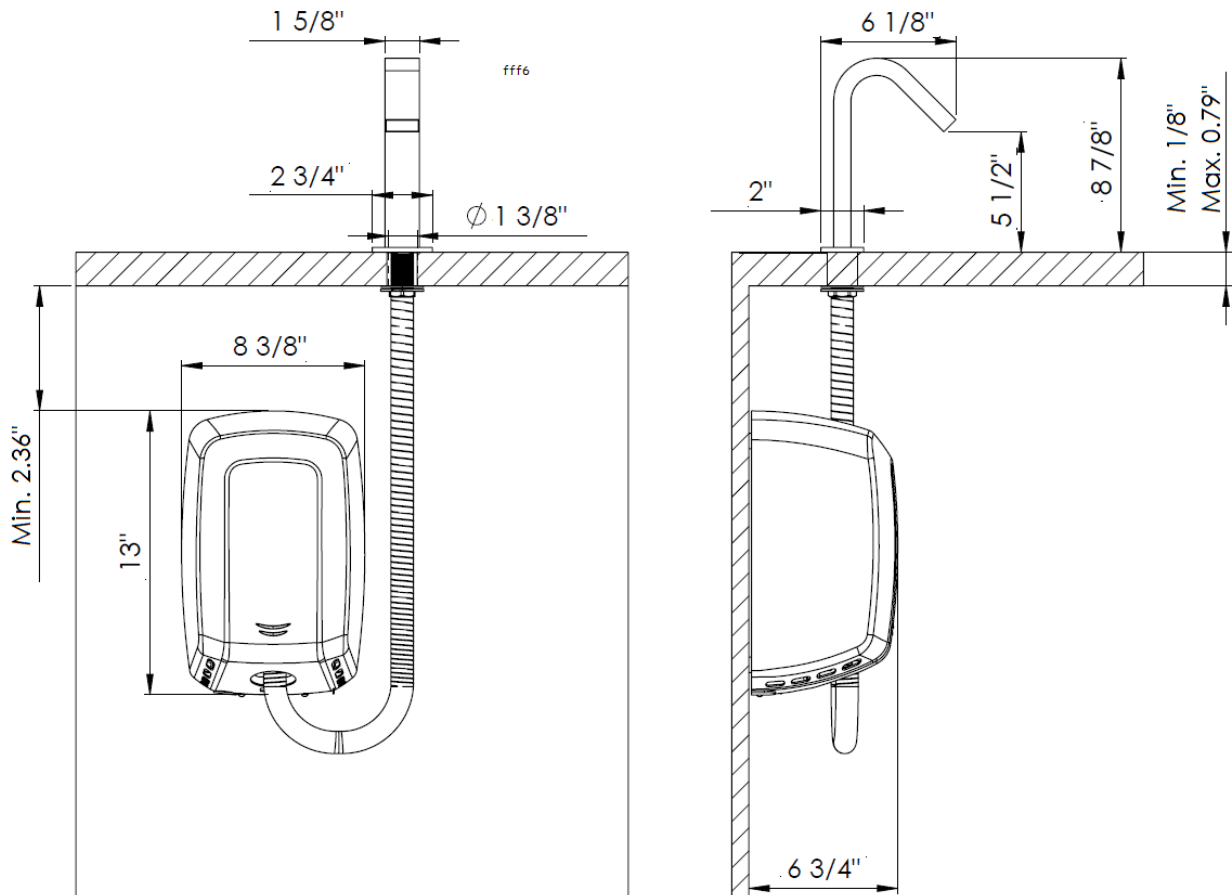
Sensor hand dryer (M092A-UL-I)

- Conceived to work alongside the sensor operated water and soap dispenser tap GAJ002AC-120V, as well as on its own, this countertop mounted hand dryer makes hand drying easier and faster to the user.
- Machflow Plus M09A-UL-I is the heart of Mediclinics® All-in-one solutions, providing a warm and powerful jet of air and offering a nice user experience with fast and efficient drying times up to 10 seconds.
- Furthermore, its touch-free deck mounted system makes all wastewater go into the sink and not onto the floor, keeping a more hygienic and clean washroom and at the same time avoiding slips, a common cause of accidents.

Technical specifications

Voltage	100-120V / 208V / 220-240V	Net weight	11.5lb
Frequency	50/60 Hz	Drying time	10-15"
Electrical Isolation	Class I	Effective airflow	29.43 – 61.80 CFM (835 - 1,755 L/min)
Total power	600 – 1,300 W	Air velocity	120.00 – 250 mph
Consumption	6.4 - 10A (120V)	Air temperature (10 cm distance/22°C)	108 °F
Motor power	350 – 1,050 W	Sound pressure ⁽¹⁾ (at 2m)	67-72 dBA
Rpm	19,000 – 28,000	Protection rating	IP23
Heating element power	250 W ("ON/OFF" switch)	HEPA filter media	Yes
Security cut-off	60"	Ionizer ("Ion Hygienic")	Yes
Dimensions	13 x 8 3/8 x 6 3/4"	Air-freshener beads	Optional
Cover thickness	0.06"		

Dimensions



Dimensions: ± 4%

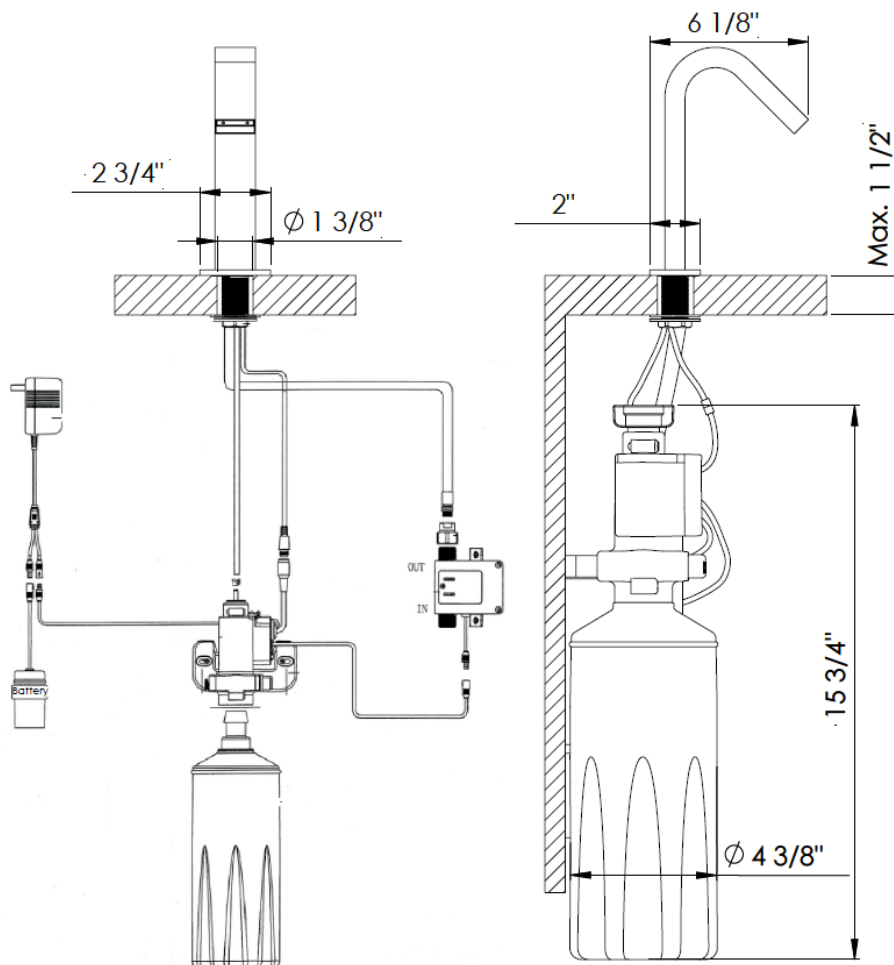
Sensor water and soap dispenser tap (GAJ002AC-120V)

- This touch-free tap dispenses both, soap and water, is entirely manufactured in chrome-brass with a bright finish, from the highest quality materials.
- It can work together with the sensor operated hand dryer M092A-UL or on its own.
- The touch-free automatic system of this faucet helps to optimize flow rate water and thereby supporting long-term ecological balance.
- The soap is contained in a plastic bottle of 0.4gal capacity, easy to be removed for refilling, and it is dosed by a high resistance anti-drip valve.
- The soap dose can be adjustable between 0.0001gal and 0.0005gal, in doses of 0.0001, 0.0003, 0.0004 or 0.0005gal

Technical specifications

Soap dispenser		Faucet	
Power supply (adaptor)		100-240V – 50/60Hz	
Battery life		35,000 – 40,000 hand wash cycles (water + soap)	
Sensor range	2-10"	Sensor range	2-10"
Security cut-off	---	Security cut-off	60 sec.
Recommended soap viscosity	100 – 3,500 cps	Water pressure work range	0.5 – 8 bars
Soap dose	0.0001, 0.0003, 0.0004 or 0.0005gal	Water flow (at 3bar)	1.32gal/min

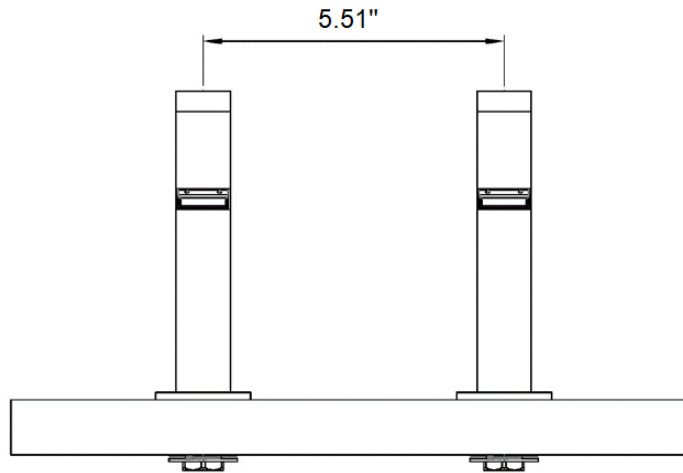
Dimensions



Dimensions: $\pm 4\%$

Mounting**Recommended heights distance from the floor**

A sink that allows the installation of the All-in-One should be used as indicated in the following figure:



Sink must have a depth of at least 4.72", with vertical walls and not excessively rounded edges to avoid splashing.

CERTIFICATES AND QUALIFICATIONS



(*) cULmark valid only for the hand dryer.

Saniflow Corp., reserves the right to make changes and/or modifications to the products and their specifications without prior notice
Review 02-23 © Saniflow Corp