



ISO 9001 Certified

7000EM Series

U.S. Patent 619253081

AC or Battery Powered Sensor Operated Faucet

The 7000EM Series faucet is a piston operated, mixing sensory faucet that provides a vandal resistant, no touch lavatory solution that promotes better hygiene and energy savings.

- **ADA Compliant.** Meets all barrier free codes
- Conserves water and energy
- Easily installed in new or retrofit applications
- Competitively priced for today's commercial market
- Promotes cleanliness & hygiene
- Proven Hydrotek craftsmanship and reliability

Available in:

- ✓ AC Powered (H-7000EM)
- ✓ Battery Powered (HB-7000EM)
- ✓ Low Lead, AC Powered (H-7000EM-LR)
- ✓ Low Lead, Battery Powered (HB-7000EM-LR)



Features:

- Vandal-resistant faucet body with chrome plated, solid brass construction.
- Faucet design allows quick "above the deck" access to all major faucet component parts.
- 30 second time-out feature prevents accidental sink overflow.
- Integrated faucet mixing valve (with built-in checks)
- "Above the deck" external or internal temperature adjustment variation.
- Low battery indicator light (battery powered models only).
- Standard 0.5 GPM flow control for water conservation and annual savings.
- Single-hole deck mounting with optional 4" and 8" cover plate for vandal resistant, three point anchoring.
- Patented electronics and slow closing solenoid valves provide reliable and smooth operation without water hammer.
- Preset/adjustable sensor range of 6" - 8" for various installation requirements.
- Includes in-line filter adapter for easier cleaning.
- Superior VSI silicone elastomer piston seals are unaffected by chlorine, chloramines, or ammonia.

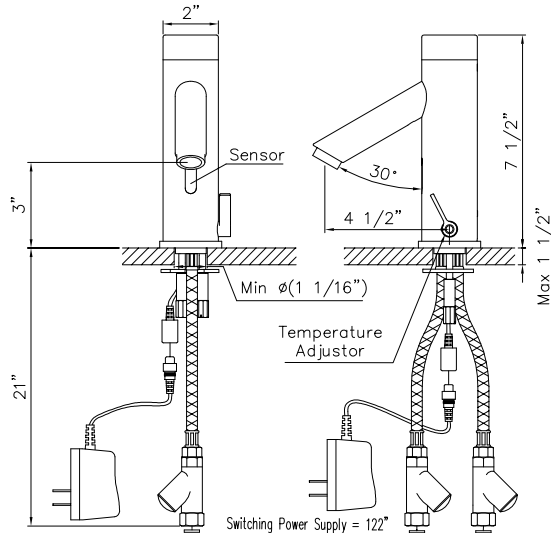
Hydrotek Automatic Faucets

7000EM Series

Deck Mounted / Non-Mixing

Meets ANSI/ASME A112.18.1 M-1989

H-7000EM (AC Powered)



Operation:

1. A continuous, invisible beam is emitted from the sensor.
2. The faucet is activated by placing hands under the spout within the effective range of the beam. Water starts to flow immediately for as long as the user's hands remain in the sensor range.
3. When hands are removed, the water flow stops. The sensor will automatically reset and be ready for the next user.
4. Water temperature adjustment can be easily accessed with external adjuster.

Specifications:

Faucet Construction: Solid brass, chrome plated

Control Circuit:

Auto. Time-out: 30 seconds

Sensor Range: Preset and adjustable from 6"-8"

Shut-off Delay: 1 second

Solenoid Valve: 6V DC, normally closed

Wattage: 0.2W (idle), 3W (in use)

Operating Pressure: 5 psi to 125 psi

Flow Control: 0.5 GPM, Rosette, Vandal Resistant

AC Mode

Power Adapter (UL/CSA)

Standard Plug-in: Input AC 120V 60 Hz or 220V

Output DC 7.5V, 0.8A/Class 2

Power Cable: Armored, vandal resistant

Optional Multi-Unit Adapter: . . Serves up to 10 faucets

(UL/CSA)

Input AC 120V, Output DC 7.5V, 3A

Battery Mode

Battery Powered Models: (4) AA Alkaline Batteries

Battery Service Life: 400,000 on/off cycles, up to 4 years

Warranty: 3 years

Package Includes:

- (1) Faucet with sensor/solenoid
- (1) 7.5V DC plug-in power adaptor (*H-7000EM, -LR Only*)
- (1) Adapter with filter
- (1) Mounting rubber, washer, lock nut
- (1) 0.5 GPM Rosette Flow Control
- (4) AA Alkaline batteries (*HB-7000EM, -LR Only*)

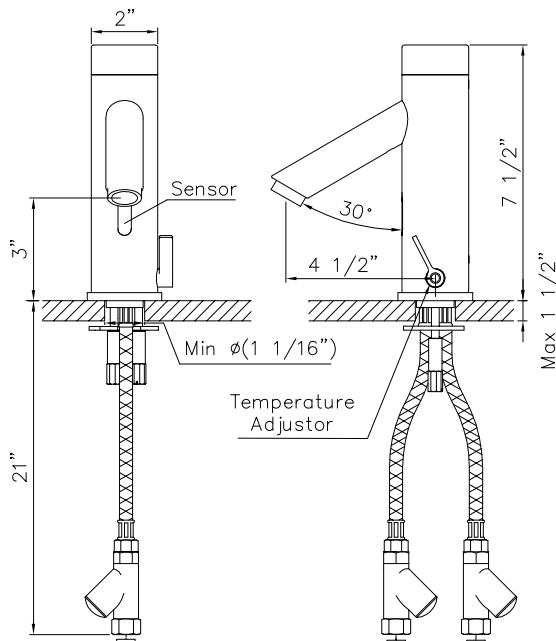
Dimensions:

- Base Depth 2"
- Faucet Height (Aerator to Base) 3"
- Faucet Height Overall 7-1/2"
- Mounting Rod Length 2"
- Mounting Rod Size 1"

Optional Variations and Accessories

- 1.5 VR Soft Flow, 0.35, 2.2 GPM Laminar Flow Control
- 4" or 8" Centerset Cover Plate
- HC-001 Mixing/Checking Valve (Mechanical)
- HBL-04 Thermostatic Mixing Valve with Check

HB-7000EM (Battery Powered)



HYDROTEK INTERNATIONAL, INC.

5055 Forsyth Commerce Rd., Ste 124

Orlando, FL 32807

800.922.9883 (Phone)

866.670.5580 (Fax)

www.hydrotekintl.com

