



ISO 9001 Certified

## 4000C Series

U.S. Patent: 6192530B1, 4741363

### AC or Battery Powered Sensor Operated Faucet

The 4000C Series faucet is a single-hole deck mounted, piston operated sensory faucet that provides a vandal resistant, no touch solution with hot/cold mixing and manual on/off adjustments that promotes better hygiene and energy savings.

Using Hydrotek's patented gooseneck design, the 4000C Series faucet is ideal in clinics, hospitals, and manufacturing facilities for scrub stations.

- **ADA Compliant.** Meets all barrier free codes
- Conserves water and energy
- Easily installed in new or retrofit applications
- Competitively priced for today's commercial market
- Promotes cleanliness & hygiene
- Proven Hydrotek craftsmanship and reliability

#### Available in:

##### AC Powered Models

- ✓ AC Powered (H-4000C)
- ✓ AC Powered with DC Backup (H-4000C-DC)
- ✓ AC Powered Scrub Sink Version (H-4000C-SD)
- ✓ AC Powered with DC Backup Scrub Sink Version (HB-4000C-SD-DC)
- ✓ Low Lead, AC Powered (H-4000C-LR)
- ✓ Low Lead, AC Powered Scrub Sink Version (H-4000C-SD-LR)
- ✓ Low Lead, AC Powered with DC Backup (H-4000C-LRDC)
- ✓ Low Lead, AC Powered with DC Backup Scrub Sink Version (H-4000C-LRDC)

##### Battery Powered Models

- ✓ Battery Powered (HB-4000C)
- ✓ Battery Powered Scrub Sink Version (HB-4000C-SD)
- ✓ Low Lead, Battery Powered (HB-4000C-LR)

## Features:

- **ACCU-SENSE** adjustable sensor eyes.
- Chrome plated, solid brass construction.
- Wall mountable, waterproof control box with armored, vandal resistant control and power cables.
- Preset/adjustable sensor range of 6" - 30" for various installation requirements.
- Standard automatic time-out feature. Preset at 30 seconds, but adjustable to 0, 15, or 60 seconds. Prevents accidental sink overflow.
- Shut-off delay is adjustable from 1 (preset) to 8 seconds.
- Includes in-line filter with clean-out trap to reduce maintenance costs.
- Standard 2.0 GPM Laminar flow control.
- Same faucet-field switchable to AC or battery powered.
- AC with DC backup models automatically switch to batteries during a power outage.
- Manual override provides continuous water flow in case of power failure.
- Manually controlled temperature adjustment.
- Patented electronics and slow closing solenoid valve provides reliable and smooth operation without water hammer.
- Control module allows a unique self-check of all electrical components.
- Superior VSI silicone elastomer piston seals are unaffected by chlorine, chloramines, or ammonia.
- For the AC with DC backup version, the battery backup picks up in the event of a power outage, ensuring that the faucet is always ready to go.



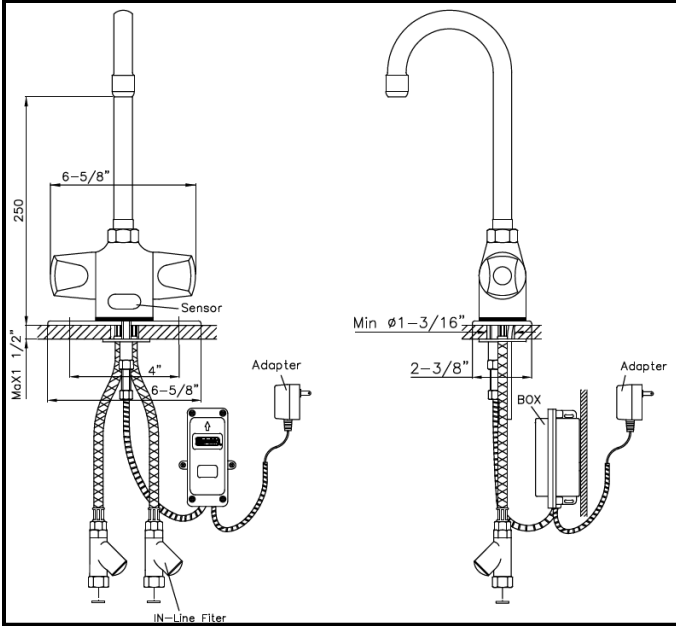
# Hydrotek Automatic Faucets

## 4000C Series

Deck Mounted / Mixing / Manual On & Off with Temperature Adjust

Meets ANSI/ASME A112.18.1 M-1989

### H-4000C (AC Powered)



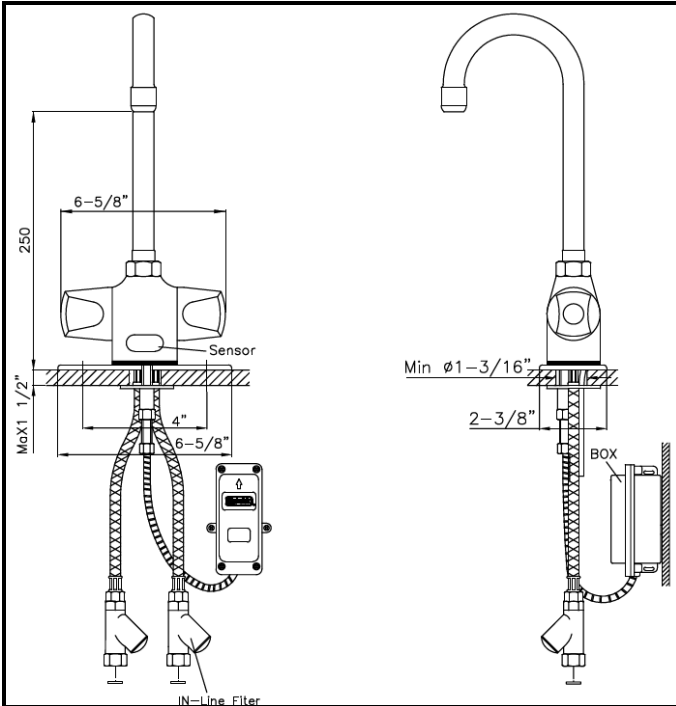
#### Operation:

1. A continuous, invisible beam is emitted from the sensor.
2. The faucet is activated by placing hands under the spout within the effective range of the beam. Water starts to flow immediately for as long as the user's hands remain in the sensor range.
3. When hands are removed, the water flow stops. The sensor will automatically reset and be ready for the next user.
4. In battery powered mode, flashing red light will indicate low battery condition.
5. Use the faucet handle for temperature adjustment and manual on/off.

#### Specifications:

Faucet Construction:	- Solid brass, chrome plated
Control Circuit:	- Solid state, AC or battery, switchable
Auto. Time-out:	- Preset and adjustable for 0, 15, 30, or 60 seconds
Sensor Range:	- Preset and adjustable
Shut-off Delay:	- Presets and adjustable from 1-8 seconds
Control Cable:	- Armored, vandal resistant
Solenoid Valve:	- 6V DC, normally closed - Wattage: 0.4W (idle), 5W (in use) - Operating Pressure: 5 psi to 125 psi
Flow Control:	- 2.0 GPM, Laminar Flow Control - 2.5 GPM Rose Spray for scrub sink version

### HB-4000C (Battery Powered)



#### AC Mode

Power Adapter	
Standard Plug-in:	- Input AC 120V 60 Hz or 220V - Output DC 12V, 0.8A/Class 2
Power Cable:	- Armored, vandal resistant
Optional Multi-Unit Adapter:	- Serves up to 8 faucets - Input AC 120V, Output DC 12V, 3A

#### Battery Mode

Battery Powered Models:	- (4) AA Alkaline Batteries
Battery Service Life:	- 400,000 on/off cycles, up to 4 years

#### Package Includes:

- (1) Faucet with electronic sensor
- (1) Control box
- (1) 12V DC plug-in power adaptor (*H-4000C, -DC, -LR, and -LRDC only*)
- (1) In-line filter with clean-out trap
- (1) Flex, S.S. supply tubes, 3/8"
- (1) 6" Gooseneck Spout
- (1) Mounting hardware
- (1) 2.0 GPM Laminar Flow Control
- (4) AA Alkaline batteries (*HB-4000C, -LR & H-4000C-DC, -LRDC only*)
- (1) Battery holder (*HB-4000C, -LR & H-4000C-DC, -LRDC only*)

#### Dimensions:

Base Width (Outside Measurement)	2-1/2"
Base Depth	2"
Faucet Height (Aerator to Base)	5-1/4"
Faucet Height Overall	6-3/8"
Depth (Center of Aerator to Center of Faucet Base)	5-1/8"
Mounting Bolt Length	2-1/2"
Mounting Bolt Pattern	Single-hole mount

#### Optional Variations and Accessories

- 0.35, 0.5, 1.5, 2.2 GPM Laminar Flow
- 4" or 8" Centerset Cover Plate
- HC-010 Multi-Unit Voltage Adapter (AC Powered Only) - 8 units
- HC-0104 Multi-Unit Voltage Adapter (AC Powered Only) - 4 units
- HBL-04 Thermostatic Mixing Valve with Checks
- Wrist Blade Handle

### HYDROTEK INTERNATIONAL, INC.

5055 Forsyth Commerce Rd., Ste. 124  
Orlando, FL 32807  
1.800.922.9883 (Phone)  
1.866.670.5580 (Fax)  
www.hydrotekintl.com

