

## FEATURES & BENEFITS

---

## OPTIONS

---

For more information, visit [www.hawesco.com](http://www.hawesco.com) or call (888) 640-4297.



## SPECIFICATIONS

---

The Haws VRK02E.A is a valve repair kit for the 9202E mixing valve. This kit includes parts to repair the main mixing chamber, the check stops, and the thermostat.

## APPLICATIONS

---

## KIT INSTALLATION INSTRUCTIONS

### **VRK02E.A: KIT, REPAIR, 9202E, COMPLETE**

CONSISTS OF VRK02E.B AND VRK02E.C. FOLLOW INSTRUCTIONS OUTLINED FOR EACH AS NOTED ON THIS PAGE.

### **VRK02E.B: KIT, REPAIR, 9202E, MAIN MIXING CHAMBER (REFER TO SHEET 2)**

1. REMOVE 4 COVER BOLTS AND 4 WASHERS AS SHOWN (NOTE 9/16" HEX).
2. REMOVE COVER.
3. REMOVE O-RING FROM COVER AND REPLACE WITH NEW O-RING FROM KIT.
4. REMOVE OVERLOAD ASSEMBLY FROM COVER BY PULLING STRAIGHT OUT, AND REPLACE WITH NEW OVERLOAD ASSEMBLY FROM KIT.
5. REMOVE PISTON/THERMOSTAT ASSEMBLY FROM VALVE BY PULLING STRAIGHT UP ON PISTON.
6. REMOVE CYLINDER ASSEMBLY FROM VALVE BY PULLING FIRMLY STRAIGHT UP ON THE CYLINDER ASSEMBLY.
7. REMOVE THREE PISTON SPRINGS FROM VALVE FUNNEL.
8. REMOVE VALVE FUNNEL FROM VALVE BY PULLING STRAIGHT UP ON FUNNEL AND FUNNEL O-RING IF IT DOES NOT COME OUT WITH THE FUNNEL.
9. INSTALL NEW FUNNEL O-RING AND FUNNEL FROM KIT.
10. INSTALL NEW CYLINDER ASSEMBLY FROM KIT AS SHOWN ON SHEET 2 BY PRESSING FIRMLY STRAIGHT DOWN AND ROCKING THE ASSEMBLY TO WORK IT PAST THE COLD INLET CHANNEL.
11. INSTALL 3 NEW PISTON SPRINGS FROM KIT INTO VALVE FUNNEL.
12. INSTALL NEW PISTON ASSEMBLY INTO CYLINDER AS SHOWN ON SHEET 2, BEING CAREFUL TO CLOCK THE PISTON SUCH THAT THE THREE FLATS UNDER THE PISTON SIT ON THE PISTON SPRINGS. THE PISTON SHOULD MOVE FREELY AGAINST THE SPRING PRESSURE IN THE CYLINDER.
13. INSTALL THE EXISTING COVER ON THE VALVE (CLOCKING IS NOT CRITICAL) AND RE-INSTALL THE FOUR WASHERS AND COVER BOLTS.
14. TIGHTEN BOLTS IN A CROSS PATTERN EVENLY UNTIL THE COVER CONTACTS THE VALVE BODY.
15. TORQUE BOLTS TO 25 FT-LBS.

### **VRK02E.C: KIT, REPAIR, 9202E, CHECK STOPS (REFER TO SHEET 3)**

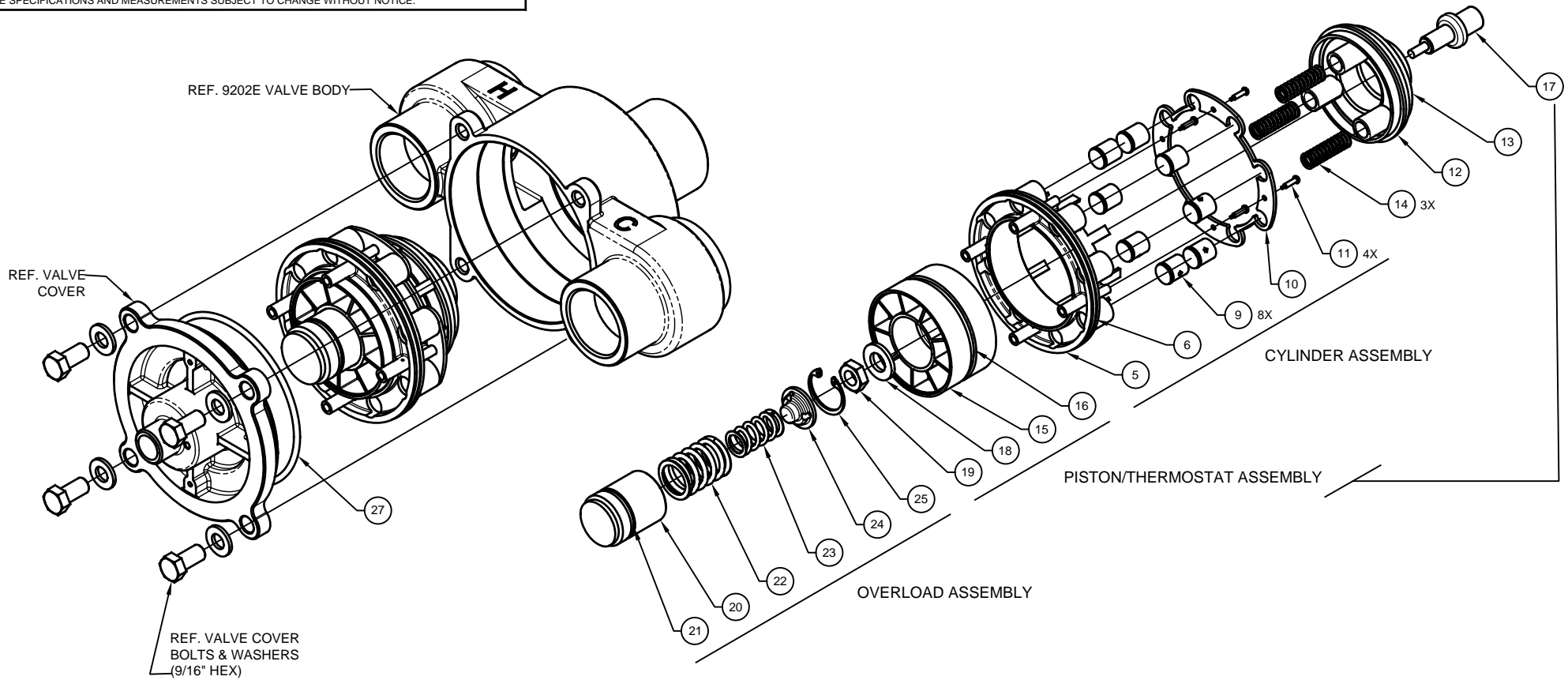
1. NOTE: HOT AND COLD CHECK STOP ASSEMBLIES ARE IDENTICAL.
2. REMOVE HOT CHECK STOP COVER WITH ADJUSTABLE WRENCH (3/4" FLATS).
3. REMOVE SPRING, CHECK STOP ASSEMBLY, CAGE, AND MESH SCREEN FROM VALVE.
4. CLEAN ANY VISIBLE DEBRIS FROM CHECK STOP CAVITY.
5. INSTALL NEW MESH SCREEN, CAGE, AND CHECK STOP ASSEMBLY FROM KIT AS SHOWN ON SHEET 3.
6. INSTALL NEW SPRING, ADJUSTMENT SCREW, AND CHECK STOP COVER FROM KIT. ADJUSTMENT SCREW SHOULD ALWAYS BE FULLY OUT (CCW) UNLESS THERE IS A NEED TO SHUT OFF THE HOT OR COLD WATER FOR TESTING.
7. REPEAT STEPS 2-6 WITH COLD CHECK STOP ASSEMBLY.

### **VRK02E.E: KIT, BASIC MAINT, 9202E, T-STAT+O-RINGS**

1. REFER TO EXPLODED VIEWS IN SHEETS 2 - 4 AND DISASSEMBLY AND RE-ASSEMBLY INSTRUCTIONS ON THIS PAGE.
2. RECOMMEND ANY DRY O-RINGS BE LUBRICATED WITH FOOD GRADE SILICONE LUBRICANT, SUCH AS DOW CORNING 111 PRIOR TO INSTALLATION.
3. THERMOSTAT RETAINING NUT (18MM HEX) SHOULD BE INSTALLED ONLY SNUGLY, TAKING CARE NOT TO DAMAGE THERMOSTAT OR PISTON. STANDARD RIGHT HAND THREAD.
4. VALVE COVER BOLTS SHOULD BE TORQUED TO 25 FT-LBS PER VRK02E.B INSTRUCTIONS.


**WARNING! VALVES MUST ALWAYS BE SAFELY REMOVED FROM SERVICE AND DRAINED PRIOR TO MAINTENANCE OR REPAIRS!**

|   |           |   |                               |
|---|-----------|---|-------------------------------|
|  |           | 1455 KLEPPE LANE<br>SPARKS, NEVADA 89431<br>(775) 359-4712 FAX (775) 359-7424<br>E-MAIL: HAWS@HAWSO.COM<br>WEBSITE: WWW.HAWSO.COM |                               |
|   |           | ECN NO. 5429<br>REVISION: 1<br>DATE: 08/01/19   | REVISED BY: DP<br>CHECKED: FV |
| APPROVED: DP<br>DATE: 08/06/19  | SCALE: -- | DRAWING TYPE: INSTALLATION  | SIZE: A SHEET 1 OF 3          |



| VRK02E.B MAIN MIXING CHAMBER REPAIR KIT |                        |     |                                       |                           |
|---|------------------------|-----|---------------------------------------|---------------------------|
| ITEM #                                  | SUB ASSEMBLY           | QTY | DESCRIPTION                           | VRK02E.E BASIC MAINT. KIT |
| 27                                      | N/A                    | 1   | O-RING DASH# 242 (3.984 ID X .139 W)  | INCLUDED                  |
| 21                                      | OVERLOAD ASSEMBLY      | 1   | O-RING DASH# 123 (1.174 ID X .103 W)  | INCLUDED                  |
| 20                                      | OVERLOAD ASSEMBLY      | 1   | OVERLOAD HOUSING                      |                           |
| 22                                      | OVERLOAD ASSEMBLY      | 1   | OVERLOAD COMPRESSION SPRING 1.095 OD  |                           |
| 23                                      | OVERLOAD ASSEMBLY      | 1   | OVERLOAD COMPRESSION SPRING 0.720 OD  |                           |
| 24                                      | OVERLOAD ASSEMBLY      | 1   | OVERLOAD INSERT                       |                           |
| 25                                      | OVERLOAD ASSEMBLY      | 1   | RETAINING RING                        |                           |
| 19                                      | PISTON/THERMOSTAT ASSY | 1   | THERMOSTAT RETAINING NUT SST M12X1.75 |                           |
| 18                                      | PISTON/THERMOSTAT ASSY | 1   | FLAT WASHER SST 12MM                  |                           |
| 15                                      | PISTON/THERMOSTAT ASSY | 1   | PLUNGER                               |                           |
| 16                                      | PISTON/THERMOSTAT ASSY | 1   | O-RING DASH# 231 (2.609 ID X .139 W)  | INCLUDED                  |
| 17                                      | PISTON/THERMOSTAT ASSY | 1   | THERMOSTAT MAIN 60-100                | INCLUDED                  |
| 5                                       | CYLINDER ASSEMBLY      | 1   | SLEEVE                                |                           |
| 6                                       | CYLINDER ASSEMBLY      | 1   | O-RING DASH# 231 (3.987 ID X .103 W)  | INCLUDED                  |
| 9                                       | CYLINDER ASSEMBLY      | 8   | CHECK VALVE 14MM                      |                           |
| 10                                      | CYLINDER ASSEMBLY      | 1   | CHECK VALVE RETAINER                  |                           |
| 11                                      | CYLINDER ASSEMBLY      | 4   | SCREW #4 SST                          |                           |
| 14                                      | N/A                    | 3   | PISTON SPRING SST                     |                           |
| 12                                      | N/A                    | 1   | FUNNEL, VALVE                         |                           |
| 13                                      | N/A                    | 1   | O-RING DASH# 335 (2.725 ID X .210 W)  | INCLUDED                  |

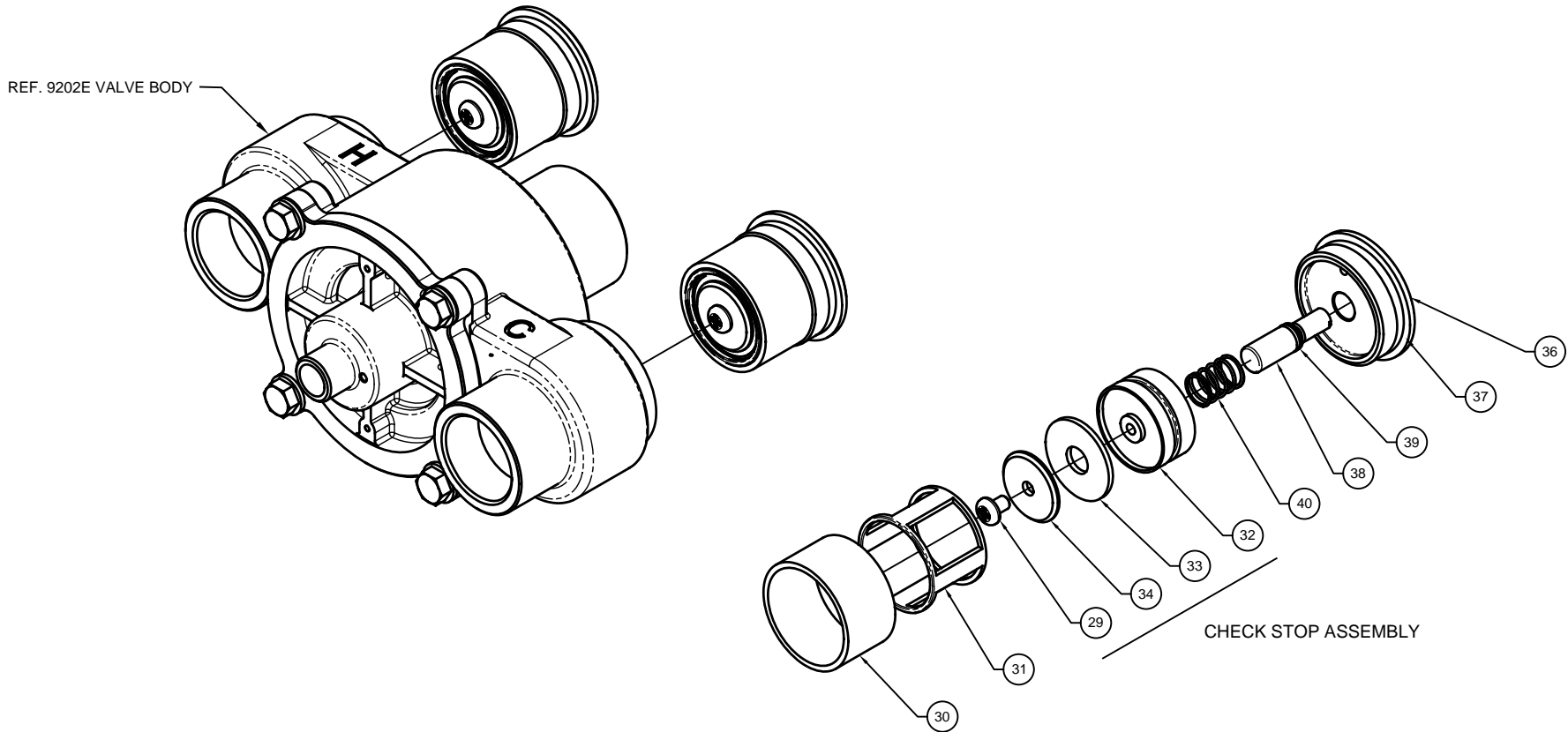
**VRK02E.B MAIN MIXING CHAMBER REPAIR KIT SHOWN ON THIS SHEET**



**Haws**<sup>®</sup>

1455 KLEPPE LANE  
SPARKS, NEVADA 89431  
(775) 359-4712 FAX (775) 359-7424  
E-MAIL: HAWS@HAWS.CO.COM  
WEBSITE: WWW.HAWS.CO.COM

|                 |                          |              |   |                            |
|-----------------|--------------------------|--------------|---|----------------------------|
| ECN NO.<br>5429 | REVISED PER<br>ECN: 5429 | BY:<br>DP    | MODEL(S)                                    | PART NUMBER                |
| DRAWN:<br>DP    | DATE:<br>08/01/19        | CHKD.:<br>FV | <b>VRK02E.A/B/C/E<br/>VALVE REPAIR KITS</b> | 0510000956                 |
| APPROVED:<br>DP | DATE:<br>08/06/19        | SCALE: N/A   |   | DRAWING TYPE: INSTALLATION |
|                 |                          |              | SIZE: A                                     | SHEET 2 OF 3               |



NOTE: HOT AND COLD CHECK STOPS ARE IDENTICAL. KIT INCLUDES BOTH.

**VRK02E.C CHECK STOPS REPAIR KIT  
SHOWN ON THIS SHEET**

| VRK02E.C CHECK STOPS REPAIR KIT |                 |     |                                      |                           |
|---------------------------------|-----------------|-----|--------------------------------------|---------------------------|
| ITEM #                          | SUB ASSEMBLY    | QTY | DESCRIPTION                          | VRKEWE.E BASIC MAINT. KIT |
| 36                              | N/A             | 2   | CHECK STOP COVER BONNET              |                           |
| 37                              | N/A             | 2   | O-RING DASH# 225 (1.859 ID X .139 W) | INCLUDED                  |
| 39                              | N/A             | 2   | O-RING DASH# 012 (.364 ID X .070 W)  | INCLUDED                  |
| 38                              | N/A             | 2   | STEM CHECK STOP ADJUST. SCREW        |                           |
| 40                              | N/A             | 2   | SPRING                               |                           |
| 32                              | CHECK STOP ASSY | 2   | POPPET (NO O-RING)                   |                           |
| 33                              | CHECK STOP ASSY | 2   | WASHER EPDM                          |                           |
| 34                              | CHECK STOP ASSY | 2   | WASHER CHECK STOP                    |                           |
| 29                              | CHECK STOP ASSY | 2   | SCREW SST 1/4-20                     |                           |
| 31                              | N/A             | 2   | CAGE SLEEVE                          |                           |
| 30                              | N/A             | 2   | MESH SCREEN SST                      |                           |

|   |                          |                          |                |   |                      |
|---|--------------------------|--------------------------|----------------|---|----------------------|
|  |                          | <b>Haws</b> <sup>®</sup> |                | 1455 KLEPPE LANE<br>SPARKS, NEVADA 89431<br>(775) 359-4712 FAX (775) 359-7424<br>E-MAIL: HAWS@HAWSCO.COM<br>WEBSITE: WWW.HAWSCO.COM |                      |
|   |                          |                          |                | MODEL(S)<br><b>VRK02E.A/B/C/E<br/>VALVE REPAIR KITS</b>   |                      |
| ECN NO.<br>5429   | REVISED PER<br>ECN: 5429 | BY: DP                   | DATE: 08/01/19 |   | REVISION<br><b>1</b> |
| DRAWN: DP   | DATE: 08/01/19           | CHKD.: FV                | APPROVED: DP   | DATE: 08/06/19  | SCALE: N/A           |
|   |                          | DRAWING TYPE:            | INSTALLATION   | SIZE: A   | SHEET 3 OF 3         |