



model **SP509**
In-Line Strainer

FEATURES & BENEFITS

OPTIONS

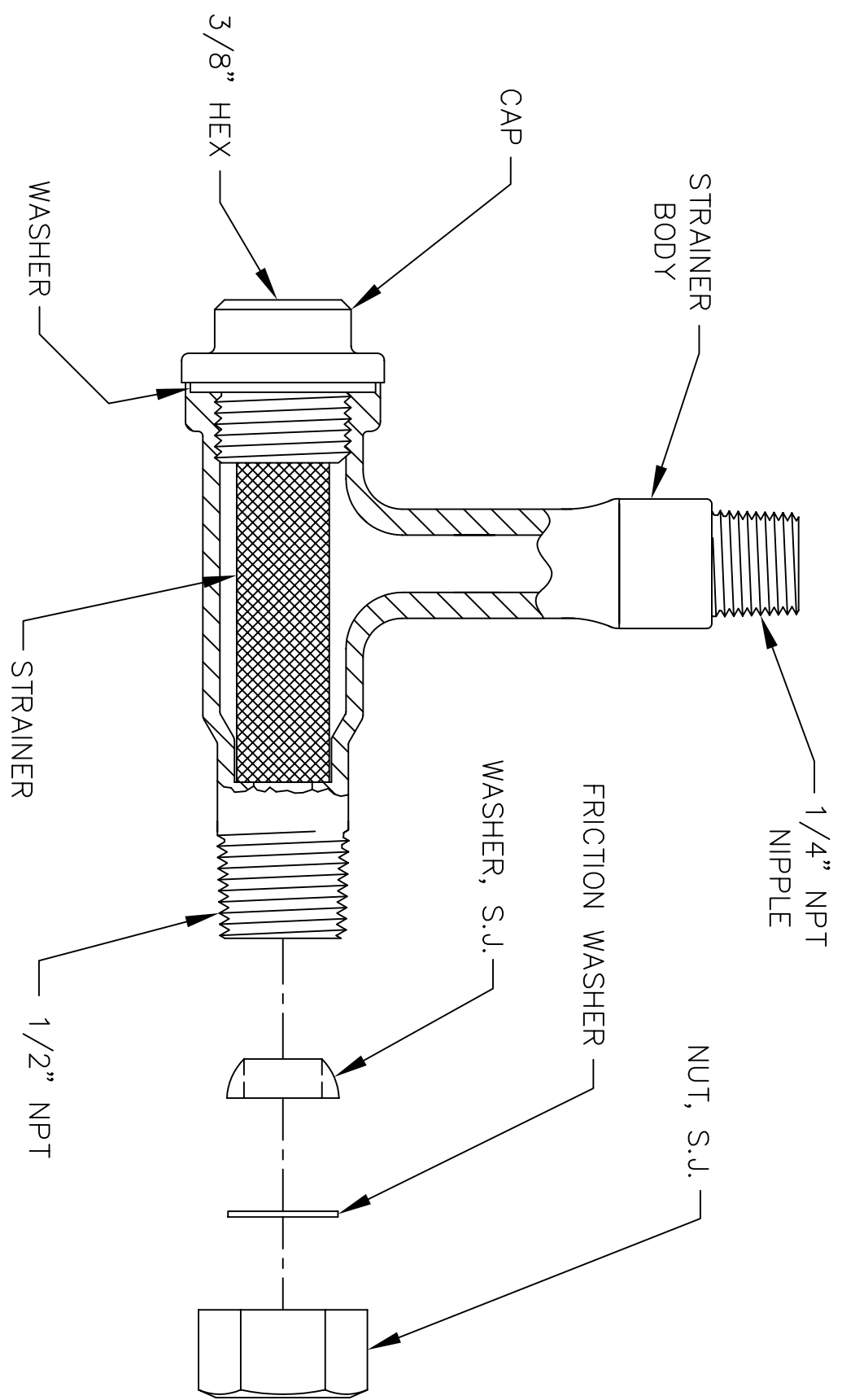
For more information, visit www.hawsc.com or call (888) 640-4297.



SPECIFICATIONS

Model SP509 is a fully serviceable in-line, 50 x 50 mesh strainer filters debris from reaching the eye or eye/face wash.

APPLICATIONS



HANSON
 HANSON
 Home Ag Building 3 Ch-3401 Burgdorf Switzerland
 Home Mfg Pile Ltd 74 Sungai Kuduk Loop Singapore 729531
 e-mail: HANSON@HANSON.COM website: www.hanson.com

MODEL NO.	SP-509	TITLE	INSTALLATION
DATE	6/83	INFO FAX DOC #	252509
REV.	1	REV.	1