



model **SP19**  
Eyewash Head

## FEATURES & BENEFITS

---

## OPTIONS

---

For more information, visit [www.hawsc.com](http://www.hawsc.com) or call (888) 640-4297.



## SPECIFICATIONS

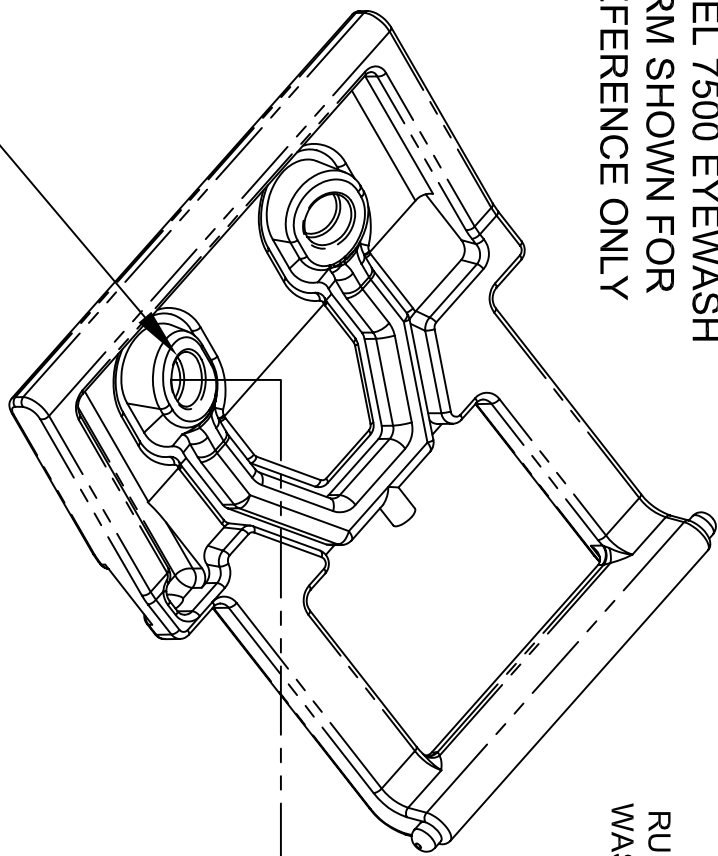
---

Model SP19 is a ABS plastic eyewash head with tripod anchor, 8-32 stainless steel socket head cap screw and rubber gasket.

## APPLICATIONS

---

MODEL 7500 EYEWASH  
ARM SHOWN FOR  
REFERENCE ONLY



PLACE ANCHOR INTO HOLE THEN  
SCREW ON EYEWASH HEAD USING  
1/8" ALLEN WRENCH (BE SURE  
FOAM IS IN PLACE).

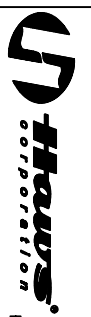
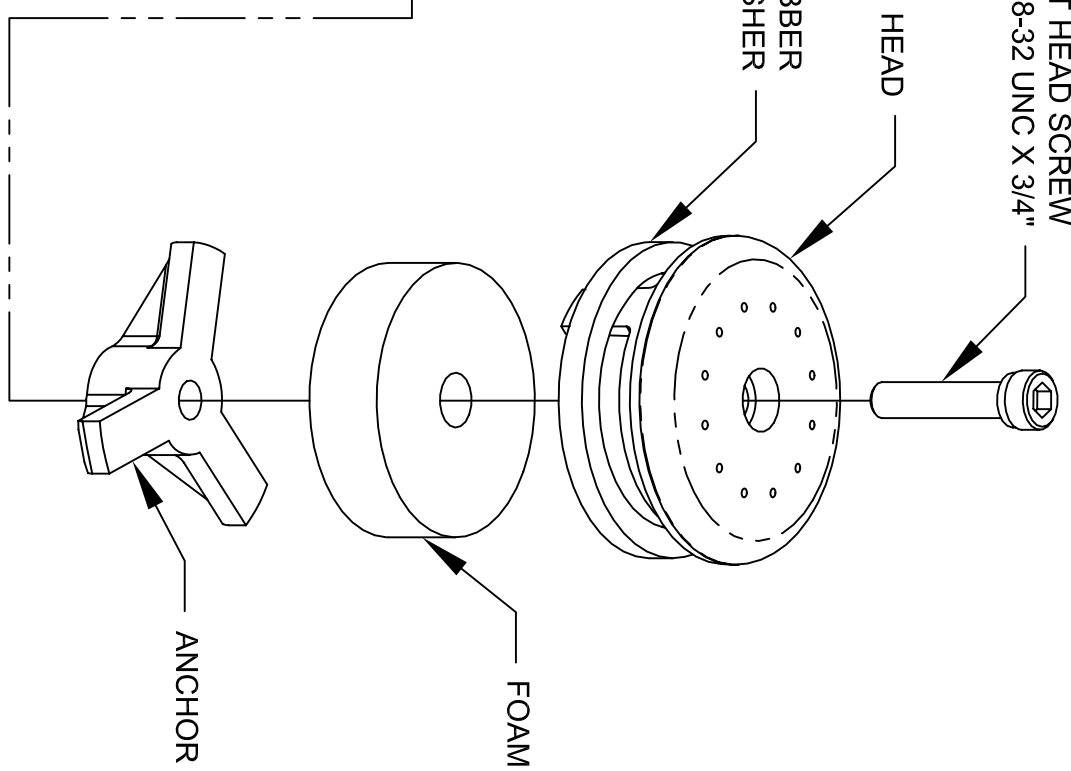
SOCKET HEAD SCREW  
8-32 UNC X 3/4"

RUBBER  
WASHER

HEAD

FOAM

ANCHOR



INFO FAX : 1-888-FAX-HAWS (1-888-329-4297)

1455 Kleppe Ln, Sparks NY 88431  
Phone: 775-359-4712 Fax: 775-359-7424  
Haws Agi Bachweg 3 CH-3401 Burgdorf Switzerland  
Haws Mfg Pte Ltd 74 Sungei Kodul Loop Singapore 729531  
e-mail: Haws@hawsco.com Website: www.hawsco.com

ISS. NO. 1	REVISED FOR	REV.	MODEL(S):
2987	ECN 3009	SP	SP19
DATE	DATE	DATE	DATE
9/20/99			
INFO FAX DOC # 2SP19			
SCALE: 1:1 DRAWING TYPE: INSTALLATION/FABRICK			
ISS. NO.	REVISED FOR	REV.	MODEL(S):
0007080			307
DATE	DATE	DATE	DATE
14282000			
SIZE: A 1 SH 1 OF 1			