

FEATURES & BENEFITS

ADAPTABILITY

A peaked roof allows for installation of all Haws combination shower and eyewash stations, along with most other competitive combination products on the market.

SAFETY

Highly visible emergency signage for improved on-site safety.

AVAILABILITY

Shorter lead times and a compact shipping container provides the customer an enclosure when it is needed and with lower shipping costs.

COMPLIANCE

Dimensions to enter enclosure and within it comply with ANSI requirements, and also comply with wheel chair access.

VICTIM PROTECTION

Enclosure keeps the emergency fixture covered and the user protected from wind, rain and other adverse conditions.

RELIABLE CONSTRUCTION

Durable all-metal construction feature galvanized pipe and fittings throughout, along with aluminum UV protected upper side-panels. Unit provides extra side panel and roof cross-bracing for superior construction versus other competitive products.

OPTIONS

- Curtain: Model 9040, privacy curtain designed to be used with Haws models 8605WC and 9035.

For more information, visit www.hawscos.com or call (888) 640-4297.



SPECIFICATIONS

Model 9035 is a three-sided enclosure that provides protection to emergency shower and eyewash equipment, along with privacy for its users. Constructed of galvanized pipe, fittings and mounting feet, and encased with aluminum side panels and a peaked roof. High visibility emergency UV protected signage for improved on-site safety. For indoor and outdoor applications. Ships in a compact wooden crate for easy transportation between job sites.

APPLICATIONS

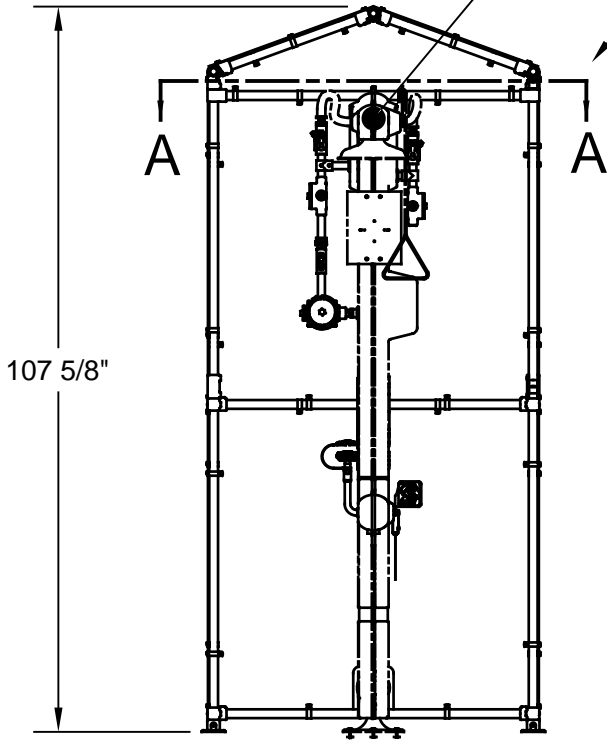
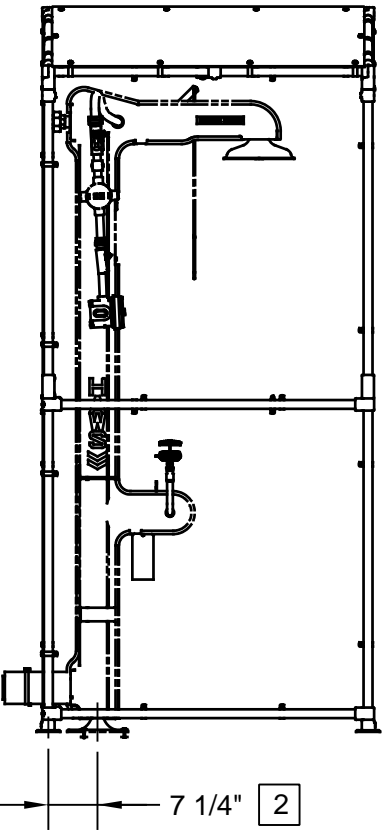
Great for permanent and temporary installations, this three-sided enclosure gives the user protection from windy conditions, and relief from the hot rays of the sun. Add the optional modesty curtain for a full private enclosure from which to disrobe during emergencies.

NOTES:

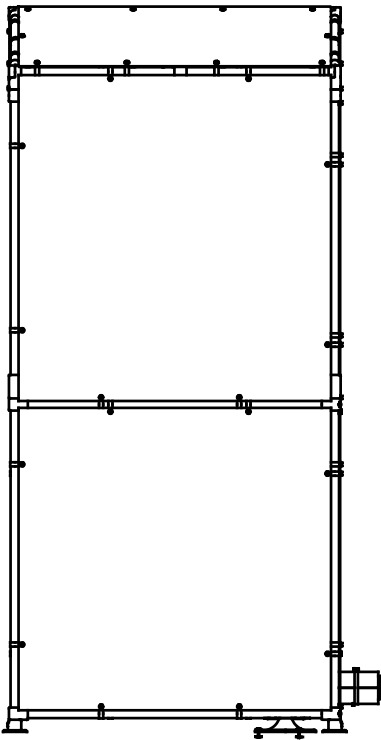
- 1 SHOWER ENCLOSURE MUST BE POSITIONED SUCH THAT THE CENTER OF THE SHOWER HEAD IS NO CLOSER THAN 16" TO THE NEAREST OBSTRUCTION.

SHOWER UNIT SHOWN (8317CTFPC1D1) IS FOR REFERENCE ONLY AND IS NOT PART OF MODEL 9035.

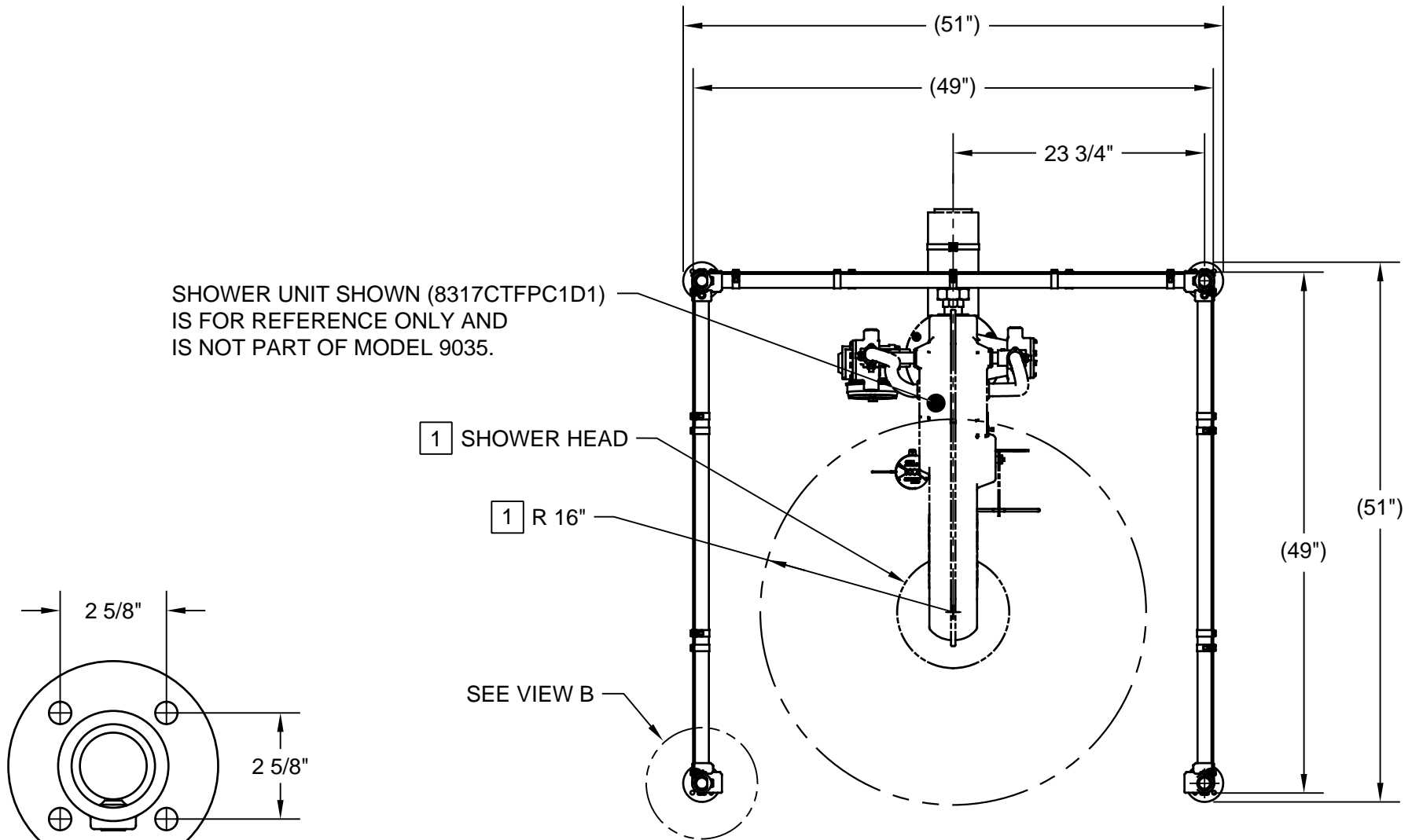
SEE SHEET 2 FOR SECTION A-A



FRONT VIEW



		1455 KLEPPE LANE SPARKS, NEVADA 89431 (775) 359-4712 FAX (775) 359-7424 E-MAIL: HAWS@HAWS.CO.COM WEBSITE: WWW.HAWS.CO.COM	
		ECN NO. 5370 DRAWN: VWC APPROVED: NE	REVISED PER BY: ECN: 5511 DATE: 01/28/19 DATE: 12/18/19
SCALE: NA		DRAWING TYPE: INSTALLATION	SIZE: A SHEET 1 OF 2



SHOWER UNIT SHOWN (8317CTFPC1D1)
IS FOR REFERENCE ONLY AND
IS NOT PART OF MODEL 9035.

1 SHOWER HEAD

1 R 16"

SEE VIEW B

SECTION A-A

VIEW B

MOUNTING HOLE PATTERN

		Haws [®]		1455 KLEPPE LANE SPARKS, NEVADA 89431 (775) 359-4712 FAX (775) 359-7424 E-MAIL: HAWS@HAWSCO.COM WEBSITE: WWW.HAWSCO.COM	
				ECN NO. 5370 ECN: 5511 REVISED PER: FV DATE: 01/28/19 DRAWN: VWC APPROVED: NE	BY: DP CHKD.: DP DATE: 12/18/19
SCALE: NA		DRAWING TYPE: INSTALLATION		SIZE: A SHEET 2 OF 2	