



### □ G1200 EyeSafe™ Faucet-Mounted Eyewash with Faucet Control Valve

**Application:** EyeSafe™ faucet-mounted eyewashes convert any faucet into an emergency eyewash station without interfering with normal faucet operation. An EyeSafe™ unit can be installed at any sink, close to where accidents might occur. In an emergency, the unit is quickly located and activated, and provides an unlimited supply of potable water for rinsing the user's eyes. Faucet control valve offers single motion eyewash activation by allowing the pull knob to control water flow while the faucet remains 'on' at a preset temperature.

**Operation:** Unlike conventional faucet-mounted eyewashes, the G1200 offers the ability to activate the eyewash in a single motion. The unit is equipped with a diverter valve for the eyewash and a separate control valve for the faucet. Once the unit is installed on a faucet, the faucet may be opened and left "on" to a preset temperature. To use the faucet, the flow of water is controlled by a quarter-turn ball valve and knob at the bottom of the eyewash. To use the eyewash, simply pull the knob on the front of the eyewash. Since the faucet is open, this is the only step required to activate the eyewash. Water pressure holds the eyewash in operation, leaving the user's hands free. To return to normal faucet operation, push the knob in or turn off the faucet.

**Outlet Heads:** Outlet heads are mounted 3" apart and deliver a soft, aerated flow of water. Heads angle forward toward user. Angle of heads is adjustable to permit full coverage and avoid splashing. Furnished with float-off dust covers to protect outlet heads.

**Eyewash Valve:** Forged brass diverter valve.

**Faucet Control Valve:** Quarter turn ball valve with chrome plated brass ball, molded PTFE seals and plastic handle.

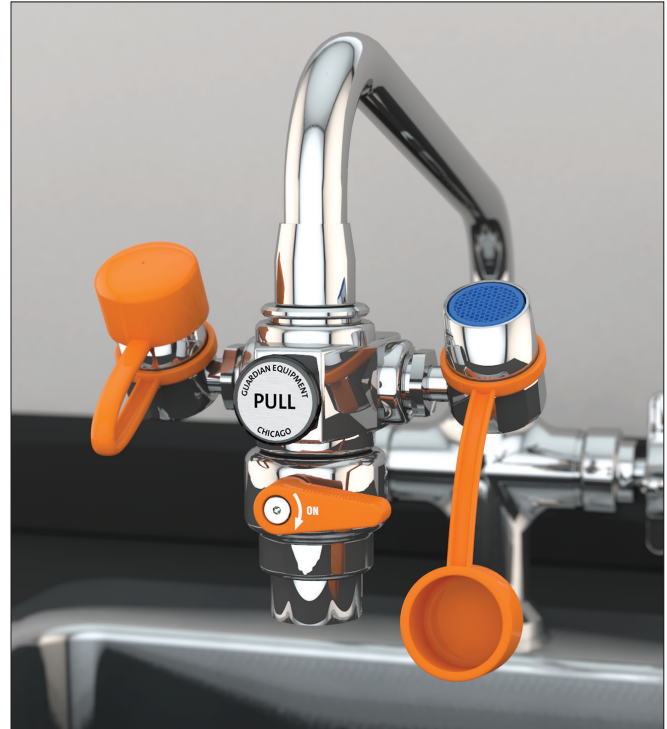
**Inlet:** Body has 55/64"-27 female thread. Furnished with three adaptors (15/16"-27, 13/16"-27 and 3/8" NPS) for installing on most commonly used faucets, including laboratory-type faucets.

**Outlet:** Furnished with removable aerator on bottom.

**Quality Assurance:** Each unit is completely assembled and water tested prior to shipment.

### Available Options

- AP400-012 Inlet adaptor with 13/16"-24 female thread.
- 250-047R Replacement float-off dust covers (package of 2).



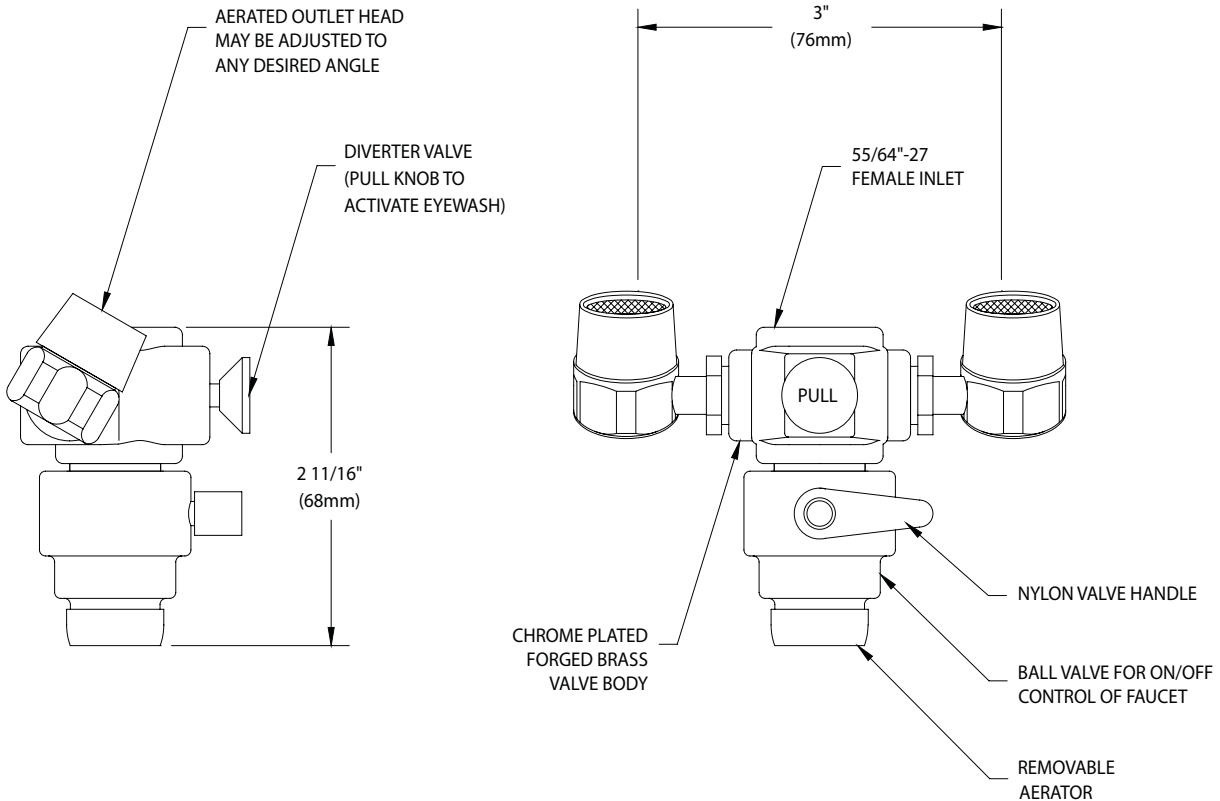
**IMPORTANT:** Faucet-mounted eyewashes are intended solely as supplemental units in addition to dedicated, plumbed eyewash equipment installed in the workplace.

Faucet-mounted eyewashes should be used with cold or warm water only. Use of hot water might cause scalding.

Leaving a faucet "on" with a valve at the outlet closed can cause cross-mixing of the hot and cold water. The water supply lines or the faucet should be furnished with check valves to prevent such mixing from occurring. This unit should not be installed on a faucet with an atmospheric vacuum breaker, as the faucet control valve downstream of the vacuum breaker will interfere with its function. Guardian Equipment recommends consulting with local plumbing code authorities prior to installing this unit.



### □ G1200 EyeSafe™ Faucet-Mounted Eyewash with Faucet Control Valve



15/16"-27 ADAPTOR



13/16"-27 ADAPTOR



3/8" NPS ADAPTOR

#### NOTES:

1. USE COLD OR WARM WATER ONLY WITH FAUCET-MOUNTED EYEWASH.

THIS SPACE FOR ARCHITECT/ENGINEER APPROVAL

Due to continuing product improvement, the information contained in this document is subject to change without notice. All dimensions are ± 1/4" (6mm). rev. 1017

Sign Included

