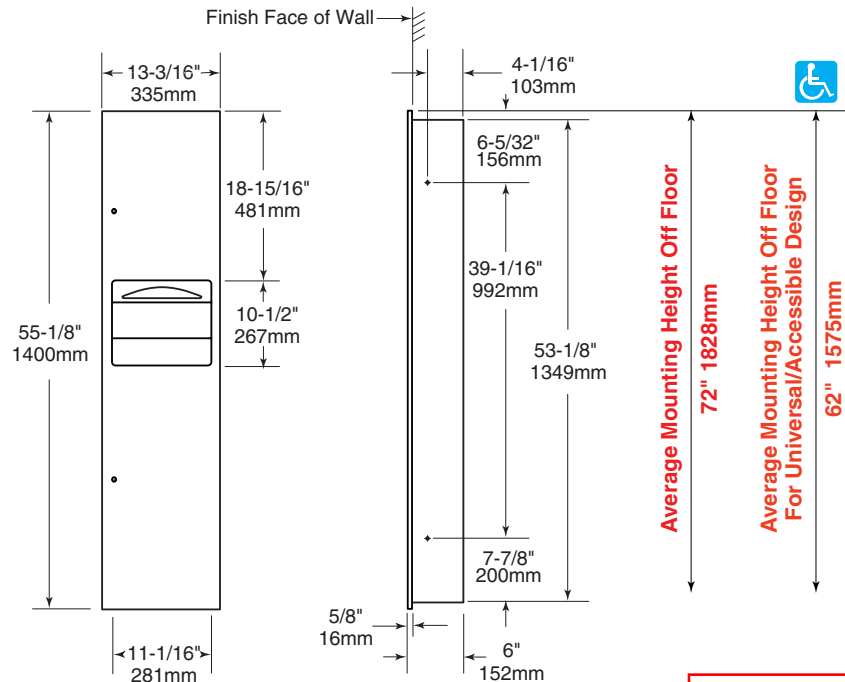


**RECESSED COVERALL
COMBINATION
TOWEL DISPENSER AND
WASTE RECEPTACLE**

TW-9

TW-9F with 2" (51mm) skirt for semi-recessing
TW-9FS with 6" (152mm) skirt for surface mounting
TW-9-4 with 4" (102mm) walls, fully recessed, with no push door, 3.8-gallon (14.4-L) capacity



Rough Wall Opening
 11-1/2" (392mm) Wide
 53-5/8" (1362mm) High
 5-3/8" (146mm) minimum
 recessed depth

CONSTRUCTION:

Fabricated with type 304 heavy gauge stainless steel. All welded construction with exposed surfaces having a #4 satin-finish. One piece seamless door construction, EXTRA HEAVY 18-gauge (1.2mm) with 5/8" (16mm) return for rigidity. Door is mounted to cabinet with continuous stainless steel piano hinge and fitted with two tumbler locks. Self-closing push door mounted on continuous stainless steel piano hinge with International Symbol.

CAPACITY:

600 C-fold, 800 Multi-fold, or 1100 single-fold towels; 5-gallon (22-L) leak proof, rigid molded polyethylene container.

OVERALL DIMENSIONS:

13-3/16" W x 55-1/8" H x 6" D (335 x 1400 x 152mm)

ADA GUIDE:

Access to paper towels should be 15" to 48" (381 to 1219mm) above the finish floor to allow forward and side reach by people in wheelchairs. Hinged panels covering waste receptacle openings should not require more than 5 pounds of force to open. Units should not project more than 4" (103mm) from the wall.

Recessed Coverall Combination Towel Dispenser and Waste Receptacle shall be Model _____ (insert model and number) of Gamco Commercial Restroom Accessories, One Gamco Place, Durant, OK, 74701-1910