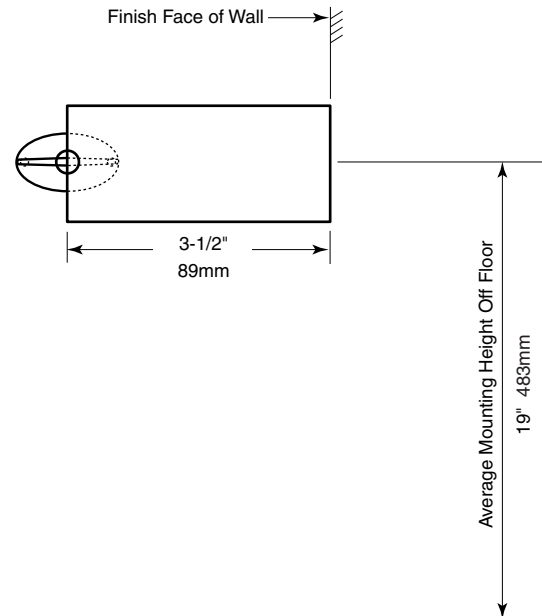
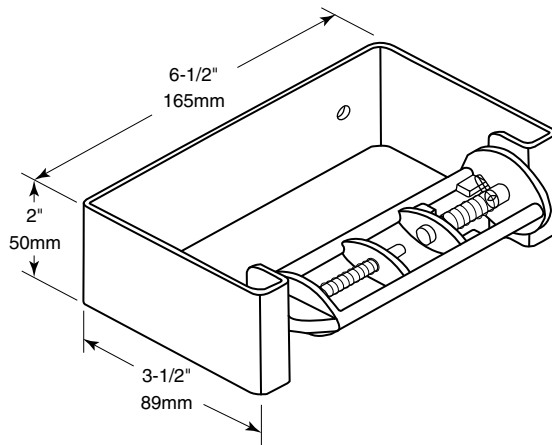


Date:

Project Name:



**CONSTRUCTION:**

Unit fabricated of 12-gauge (3mm) 18-8 type 304 stainless steel with exposed surfaces having a satin-finish. Cast aluminum spindle accommodates rolls up to 5-1/2" (140mm) in diameter. Unit provided with roll control and spindle locking pin.

**CAPACITY:**

5-1/4" (133mm) diameter rolls, 1800 sheets

**INSTALLATION:**

Mount unit on wall with four #10 x 1-1/4" (4.8 x 32mm) sheet-metal screws. For plaster or drywall construction, provide concealed backing to comply with local building codes, then secure unit with sheet-metal screws. For other wall surfaces, provide fiber plugs or expansion shields for use with sheet-metal screws, or provide 1/8" (3mm) toggle bolts or expansion bolts.

**OVERALL DIMENSIONS:**

6-1/2" W x 2" H x 3-1/2" D (165 x 51 x 89mm)

**ADA GUIDE:**

Rear mounted toilet tissue rolls should be mounted with forward edge no more than 36" (914mm) from the back wall of stall. All toilet tissue dispensers should be mounted with their horizontal center-line at least 19" (483mm) above the finish floor.

**NOTES:**

Wood blocking is preferable behind all wall surfaces. If wood blocking is not available, the following fasteners are suggested:

Tile /Masonry - Plastic or lead anchors

Plaster/Drywall - Toggle bolts

**Surface-Mounted Single-Roll Toilet Tissue Dispenser shall be Model TTD-1 of GAMCO Commercial Restroom Accessories, A Division of Bobrick, One Gamco Place, Durant, OK**