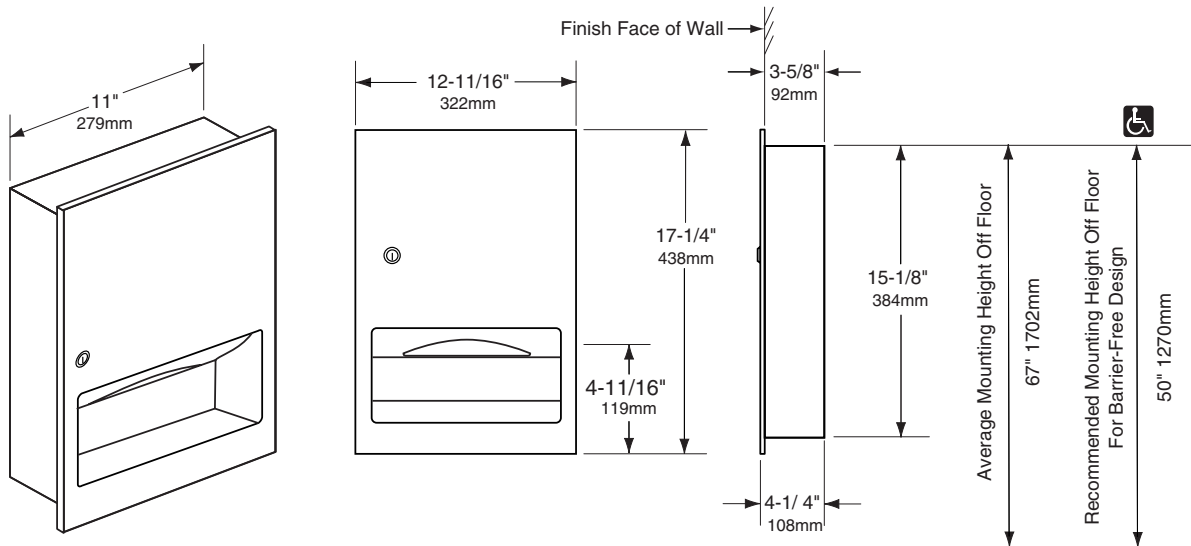


Date:

Project Name:

**TD-6F**  
**TD-6FS**

with 2" (51mm) skirt for semi-recessing  
with 4" (102mm) skirt for surface-mounting



**Rough Wall Opening**  
11-1/2" (292mm) wide  
15-5/8" (397mm) high  
3-7/8" (98mm) minimum  
recessed depth

**CONSTRUCTION:**

Fabricated of type 304 stainless steel with exposed surfaces having a #4 satin-finish. One piece seamless door construction, EXTRA HEAVY 18-gauge (1.2mm) with 5/8" (16mm) return for rigidity. Door is mounted to cabinet with continuous stainless steel piano hinge and is fitted with tumbler lock. All welded construction.

**CAPACITY:**

300 C-fold or 400 multi-fold towels.

**INSTALLATION:**

Provide framed wall opening. Recessed depth required from finish face of wall is 4" (102mm). Check plans and coordinate with mechanical engineer to avoid protrusion from opposite wall, pipes, conduits, electrical wiring etc. If installing in plaster wall, recommend grounding. If installing where unit projects above top of wainscot, provide filler to prevent gap from finished wall and flange of unit. If installing in block walls, use metal expansion shields.

**OVERALL DIMENSIONS:**

12-11/16" W x 17-1/4" H x 4-1/4" D (322 x 438 x 108mm)

**ADA GUIDE:**

Access to paper towels should be 15" to 48" (381 to 1219mm) above the finish floor to allow forward and side reach by people in wheelchairs. Units should not project more than 4" (102mm) from the wall.

Coverall Towel Dispenser shall be Model \_\_\_\_\_ (insert model number) of GAMCO Commercial Restroom Accessories, A Division of Bobrick, One Gamco Place, Durant, OK