

**SURFACE-MOUNTED
 HIGH SPEED
 HAND DRYER**

**DR-570
 DR-578**

Specify Model Required:

- DR-570 Dryer with White Epoxy Painted Cover
- DR-578 Dryer with Stainless Brushed Cover

Option: KJR-973K-1 Recess Kit

Specify Voltage Required:

- 115V AC, 9.6 Amp, 60 Hz, 1100 Watts, Single Phase, cULus Listed.
- 230V AC, 4.8 Amp, 50/60 Hz, 1100 Watts, Single Phase, CE marked.

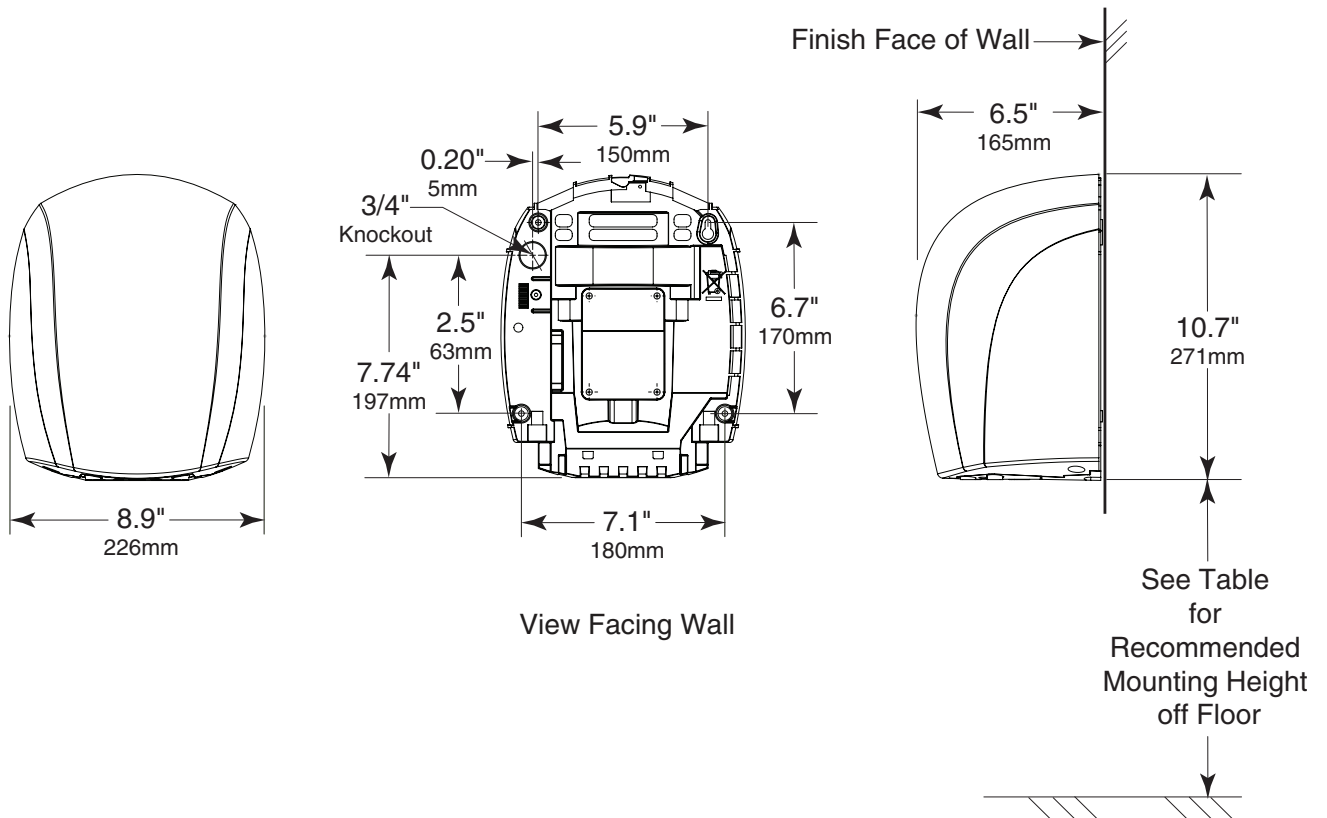
Specify model number followed by voltage required.
 Example: DR-570 115V for 115-volt White Epoxy Painted cover hand dryer.



***RECOMMENDED MOUNTING HEIGHTS**

Children's Washrooms, ages 3-4	36" (915mm)
Children's Washrooms, ages 5-8	40" (1015mm)
Children's Washrooms, ages 9-12	44" (1120mm)
Universal Design	48" (1219mm)

*Bottom screw hole of mounting base to finish face of floor



continued . . .

MATERIALS:

Cover — Cover shall be either stainless with brushed finish (DR-578) or one piece aluminum housing with high-gloss white epoxy paint that is incorporated with SteriTouch® antimicrobial additive (DR-570).

Mounting Base — Equipped with four mounting holes and one hole suitable for between-wall wiring.

Motor/Fan — Thermally-protected, Universal 1/10 hp motor, operating at 34000 rpm. Motor shall deliver 105 cubic feet per air volume at 206 MPH (18,128 LFM).

Electronic Control — Infrared sensor automatically turns dryer on when hands are held under air-outlet opening and across path of sensor. Remove hands from path of sensor and dryer stops. Electronic sensor has automatic shutoff. Equipped with 30 second vandal shut-off, if an inanimate object is placed across air-outlet opening. After inanimate object is removed, electronic sensor automatically resets itself and dryer operates normally.

Option — Order part no. KJR-973K-1 Recess Kit Stainless steel recessed wall box in brushed finish for installing DR-570 and DR-578 hand dryers to meet accessible design guidelines.

OPERATION:

No-touch operation: Electronic sensor automatically turns dryer on when hands are held under air outlet opening and across path of sensor. Remove hands from path of sensor and dryer stops. Dryer will not stop by itself before user is satisfied hands are dry. Dryer operates only when actually drying hands which saves energy and operating costs. Electronic sensor will automatically shut dryer off 30 seconds after dryer turns on if an inanimate object is placed across air-outlet opening. After inanimate object is removed, electronic sensor automatically resets itself and dryer operates normally.

5-Year Limited Warranty — Gamco extends a limited 5 year warranty, 3 years on motor and electronic controls from the date of purchase for DR-570 and DR-578 hand dryers, motor brushes excluded, to the original owner of the installed unit against defects in factory workmanship or material under normal use and service. This warranty is limited to the repair or exchange of defective parts at the option of Gamco.

SPECIFICATION:

High speed surface-mounted hand dryer shall have either a one-piece, stainless cover with brushed finish (DR-578) or aluminum housing finished in high gloss white epoxy paint that is incorporated with SteriTouch antimicrobial additive (DR-570). Motor shall be universal brush type operating at 34000 RPM and shall be thermally protected. It shall deliver 105 cubic feet per minute of air volume at 206 MPH. Dryer shall be activated by an automatic active infrared sensor controlled by a circuit board with 1 second run-on time and 30 second vandal shut-off. Dryer to provide a 34° F temperature rise, and PC/ABS internal housing components to be V0 or V5 flame retardant. Dryer controller shall automatically energize the dryer when hands are detected in the infrared sensing zone. The dryer will either automatically turn off immediately after hands are removed, or after 30 seconds of continuous usage. The controller will automatically reset after any obstructions are removed. The DR-570 or DR-578 115V shall be cULus Listed. The DR-570 or DR-578 230V shall be CE marked. Unit shall comply with EU Directive "Restriction of Hazardous Substances" (RoHS) requirements for non-use of certain hazardous substances in the production of electronic products. Unit shall be protected by a limited 5 year warranty, 3 years on motor and electronic controls. Motor brushes excluded.

Surface-Mounted Hand Dryer shall be Model DR-570 or DR-578 of Gamco Commercial Restroom Accessories, A Division of Bobrick, Durant, OK