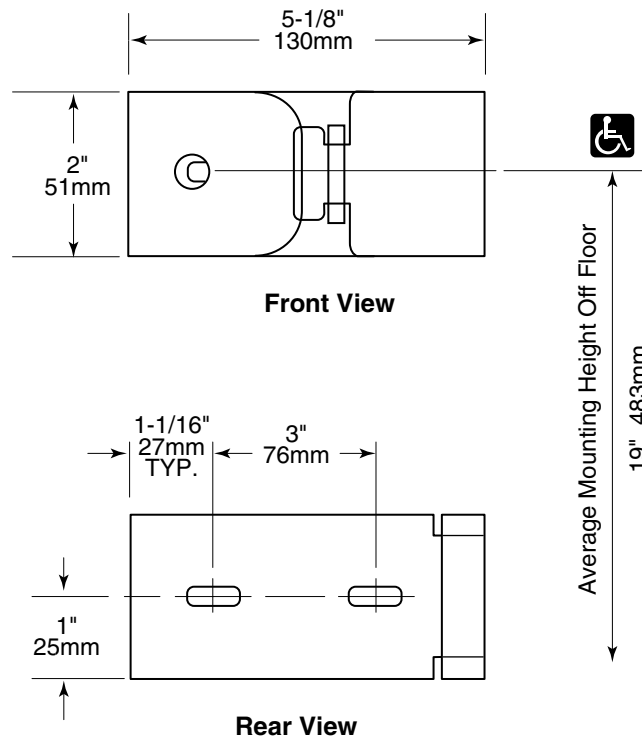
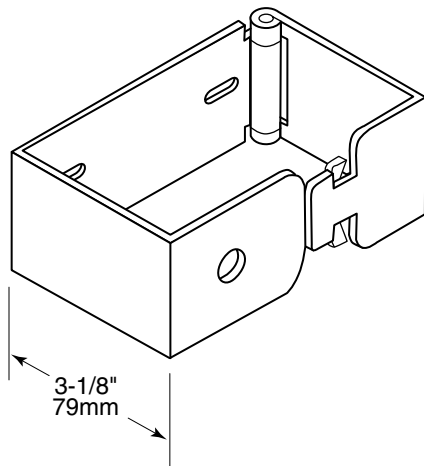


Date:

Project Name:



CONSTRUCTION:

1/8" (3.2mm) thick aluminum. Vandal-resistant design.

CAPACITY:

5-1/4" (133mm) diameter; 1800 sheets

INSTALLATION:

Mount unit on wall with two #10 x 1-1/4" (4.8 x 32mm) sheet-metal screws. For plaster or drywall construction, provide concealed backing to comply with local building codes, then secure unit with sheet-metal screws. For other wall surfaces, provide fiber plugs or expansion shields for use with sheet metal screws, or provide 1/8" (3mm) toggle bolts or expansion bolts.

OVERALL DIMENSIONS:

5-1/8" W x 2" H x 3-1/8" D (130 x 51 x 79mm)

ADA GUIDE:

Toilet tissue rolls should be mounted with forward edge no more than 36" (914mm) from the back wall of stall. All toilet tissue dispensers should be mounted with their horizontal centerline at least 19" (483mm) above finish of floor.

Note: Not available in special metals and finishes.

Surface-Mounted Extra Heavy Duty Toilet Tissue Holder shall be Model 816 of Gamco Commercial Restroom Accessories, A Division of Bobrick, Durant, OK