

BioArmor™

UV-C DISINFECTION SYSTEM

Model Number: UVC-002ABNF

Description

BioArmor with UV-C LED technology provides a new option for water treatment. Easily installed between the supply valve and the faucet, BioArmor attacks pathogens using UV-C light to penetrate cells and render them microbiologically inactive. When water flow is detected, it delivers instant full-intensity power – without heat transfer – to disinfect the water.

Applications

For use with any faucet, BioArmor is designed for long term, low maintenance performance. Lamp life is rated for 3,000 hours or up to 5 years before replacement.

Application Note

Delivery of water to fixtures intended for hand washing should always be controlled by valves listed to ASSE 1070. Thermostatic valves provide the user with both thermal shock and scald protection. These valves should always be adjusted after installation to the desired temperature.

Specifications

Voltage:	12VDC
Power:	24W
Replacement Interval:	5 Years
Lamp Life:	3,000 Hours
Dimensions:	5.8" H x 4.7" W x 2.4" D
Weight:	13 oz
Water Connections:	3/8" Compression Fittings
Water Pressure Range:	20-125 PSI
Maximum Water Temperature:	180°F (plumbed hot or cold water, not mixed) 113°F (plumbed mixed hot and cold water)
Flow Rate:	Up to 2.2 GPM
System OK Light:	Power Light Green
System Error Light:	Power Light Red
Error Alarm:	600Hz Frequency, 80 dBA Min Starts With Water Activation Stops 10 Sec After Water Deactivation Errors: Low UV, LED Failure, Over Temperature NOTE: Alarm does not work when unplugged. Keep device plugged in and powered at all times.

Installation Instructions

BioArmor with UV-C LED technology installs easily onto most faucets. When installing, be sure to follow all local plumbing codes for your application.

1. Shut off the supply valves and remove any existing piping between the supply valves and the faucet.
2. Determine the position of the BioArmor under the sink. Hold against the wall and mark the locations of the four mounting holes.
3. Drill 3/16" holes and install wall anchors. Secure the control box to the wall using a #2 Phillips screwdriver.
4. Connect BioArmor to the supply valves and the faucet. Typical connections are shown on the next page.
5. Turn on the supply valves.
6. Plug in the BioArmor unit. Power light should be green indicating the system is ready for use.
NOTE: Keep device plugged in and powered at all times.

DISCLAIMER: This product, when installed in accordance with the Installation Instructions and properly powered with the required electricity source, is designed to treat water at the point-of-consumption and disinfect by rendering viruses, bacteria and other water-borne pathogens microbiologically inactive. The product is not designed to treat non-biological contaminants (such as heavy metals, salts, or chlorine). This product is designed to operate on water with a UVT >95% (will be less effective on murky, colored, cloudy or turbid water). Chicago Faucets makes no express or implied warranties regarding the ability of the product to render all water sources safe for human consumption.

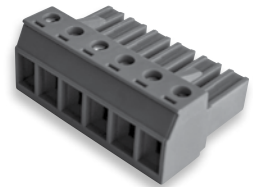
For additional technical assistance, call 800/TEC-TRUE (800-832-8783) or visit our website at chicagofaucets.com.

**CHICAGO
FAUCETS®**
Geberit Group



UVC-002ABNF

Building Automation Connectivity

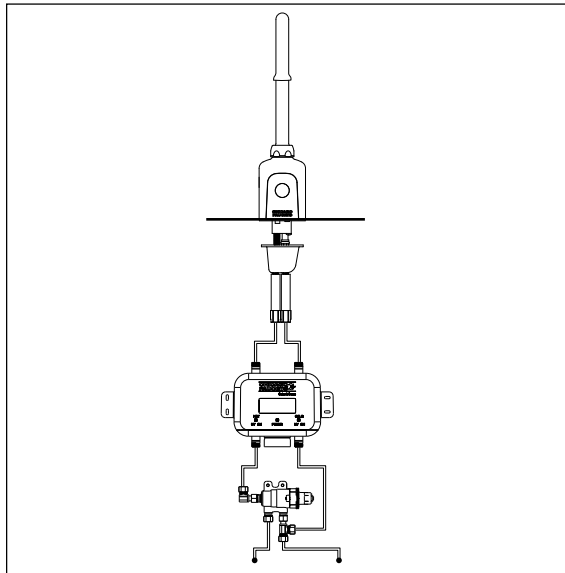
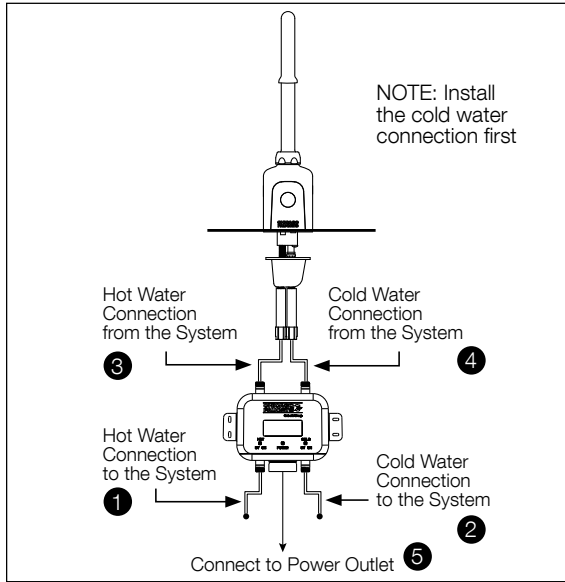


Connect to your BAS to remotely monitor errors and collect data on hot and cold water activations to help calculate UV lifespan and monitor faucet usage.

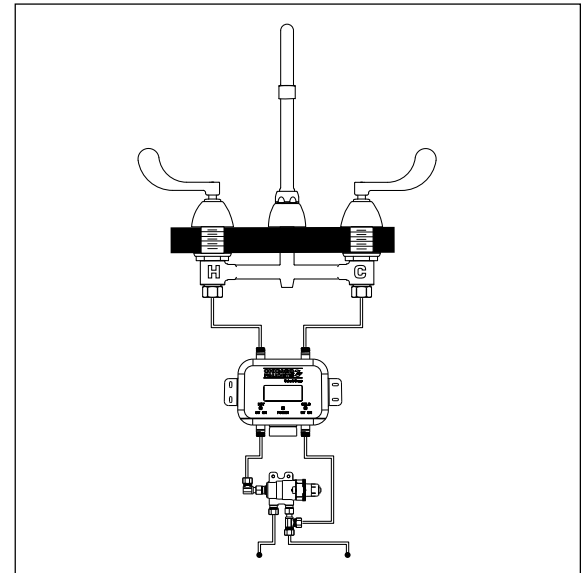
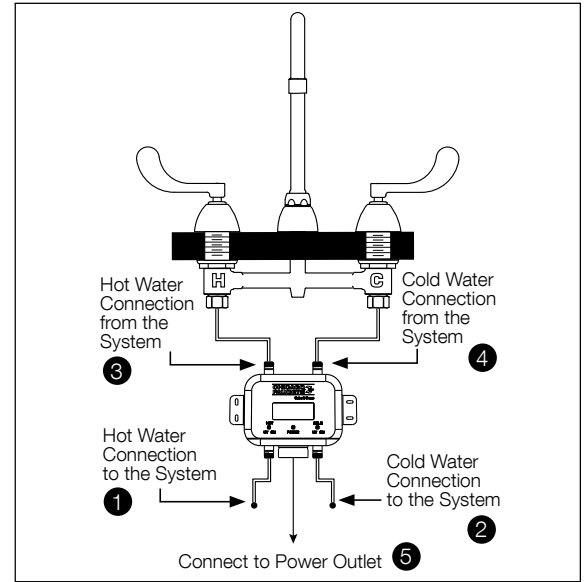
Pin ID	Function
1	Error (A)
2	Error (B)
3	Cold Chamber On (A)
4	Cold Chamber On (B)
5	Hot Chamber On (A)
6	Hot Chamber On (B)

Typical Installations

Touchless Faucet:



Manual Faucet:



For additional technical assistance, call 800/TEC-TRUE (800-832-8783) or visit our website at chicagofaucets.com.

CHICAGO FAUCETS LIMITED WARRANTY

TO WHOM DOES THIS WARRANTY APPLY? —The Company extends the following limited warranty to the original user only.

WHAT DOES THIS WARRANTY COVER AND HOW LONG DOES IT LAST?

This warranty covers the following Chicago Faucets branded Products:

LIFETIME WARRANTY — Any metal cast, forged, stamped or formed portion of the Product, not including electronic or moving parts or other products separately covered by this Limited Warranty or water restricting components or other components, is warranted against material manufacturing defects for the life of the Product.

FIVE YEAR WARRANTY — Certain Products or portions of the Product are warranted against material manufacturing defects for a period of five (5) years from the date of Product purchase. Products warranted against material manufacturing defects for a period of five (5) years from the date of Product purchase are referred to by the product series 90, 99, 150, 410, 420, 430, STB, STC, W4D, W4W, W8D, W8W, 1900, 1905, SH, 537, 548, 549, 640, 897, 2500, 8400, 9800 and E-Tronic®.

FIVE YEAR CARTRIDGE WARRANTY — The "Cartridge", defined as the metal portion of any Product typically referred to by the product numbers containing 1-099, 1-100, 217, 274, 313, 333, 335, 376, 377, 386, 408, 409, 617, 625, 628, 667, 670, 671, 672, 745, 776, 807, 824, 825, 826, 919, 937, 962, 966, 977, 1105, 2500, 3300 and 5235 excluding any rubber or plastic components, is warranted against material manufacturing defects for a period of five (5) years from the date of Product purchase.

TWO YEAR LIMITED WARRANTY — For BioArmor Products.

ONE YEAR FINISH WARRANTY — COMMERCIAL — For Products used in commercial applications, the finish of the Product is warranted against material manufacturing defects for a period of one (1) year from the date of Product purchase.

OTHER WARRANTIES — All other Products not covered above are warranted against material manufacturing defects for a period of one (1) year from the date of Product purchase.

Other restrictions and limitations apply. For complete warranty details, call Chicago Faucets Customer Service at 847-803-5000 or visit chicagofaucets.com.

The Chicago Faucet Company
2100 South Clearwater Drive
Des Plaines, IL 60018
Phone: 847/803-5000
Fax: 847/803-5454
Technical: 800/832-8783
www.chicagofaucets.com