

ELECTRONIC-DC FAUCETS

EFS-123

Electronic Faucets



Product Type

Deck Mounted 8" Fixed Centers Electronic Hand Washing Station with Dual Beam Infrared Sensor

Features & Specifications

- 8" Fixed Centers
- 1.0 GPM (3.8 L/min)
- Single Supply Inlet for Tempered Water Service
- 1250 Milliliters of Soap Included
- Four "D" Cell Batteries Included
- Stainless Steel Supply Hose Included
- Designed to be Used with Temperature Control Mixer
- Override Button allows for non potable, water-only dispensing.
- Lighted icons indicate the current hand wash cycle.
- A low battery light and low soap light provide warning to replace batteries or soap bottle.
- Touch-free operation: EFS activates hand washing sequence when faucet senses presence of hands.
- Lower Dispenser Enclosure Assembly Houses Batteries and Soap Reservoir
- Single and Dual Soap Dispense Feature
- Sensor Range Adjustment Feature

Performance Specification

- Rated Operating Pressure: 30-120 PSI
- Rated Operating Temperature: 40-140°F

Warranty

- Lifetime Limited Faucet Warranty
- 1-Year Limited Finish Warranty
- 5-Year Limited Mechanical Warranty
- 3-Year Limited Electronics and Solenoid Warranty

Codes & Standards

- ASME A112.18.1/CSA B125.1
- ADA ANSI/ICC A117.1
- CALGreen

Job Name _____

Item Number _____

Section/Tag _____

Model Specified _____

Architect _____

Engineer _____

Contractor _____

Submitted as Shown Submitted with Variations

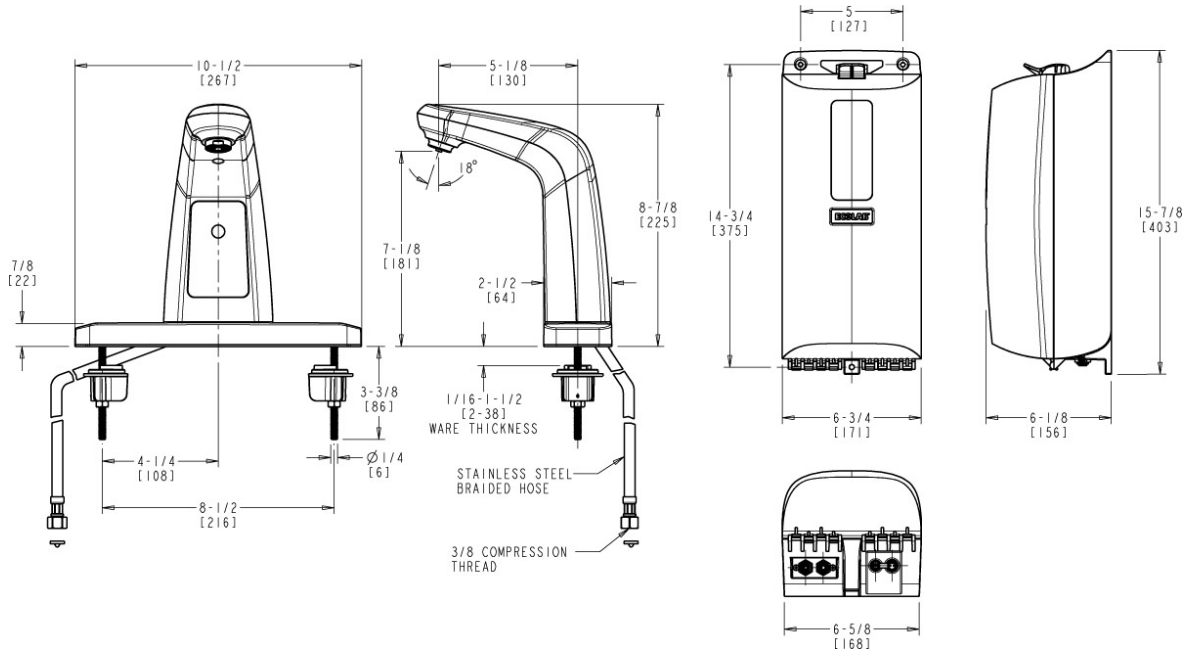
Date _____



2100 South Clearwater Drive
Des Plaines, IL
P: 847/803-5000
F: 847/803-5454
Technical: 800/TEC-TRUE
www.chicagofaucets.com

Architect/Engineer Specification

Chicago Faucets No. EFS-123, Electronic Hand Wash Station with dual-beam infrared sensor, deck-mounted with 8" fixed centers, chrome plated. Touch-free operation: EFS activates hand-washing sequence when faucet senses presence of hands. 1.0 GPM (3.8 L/min) laminar outlet. Single-supply inlet for tempered water, designed to be used with temperature control mixer. Includes 1250 ml of soap, four "D" cell batteries, and flexible, stainless steel supply hose. Override button dispenses non-potable water without soap. Lighted icons indicate the current hand wash cycle. Low battery and low soap indicators provide warning to replace batteries or soap bottle. Soap dispenser enclosure houses batteries and soap reservoir. Single and dual soap dispensing options. Adjustable sensor range. CALGreen Compliant.



Operation and Maintenance

Installation should be in accordance with local plumbing codes. Flush all pipes thoroughly before installation. After installation, remove spout outlet or flow control and flush faucet thoroughly to clear any debris. Care should be taken when cleaning the product. Do not use abrasive cleaners, chemicals or solvents as they can result in surface damage. Use mild soap and warm water for cleaning and protecting the life of Chicago Faucet products. For specific operation and maintenance refer to the installation instructions and repair parts documents that are located at www.chicagofaucets.com.

Chicago Faucets, member of the Geberit Group, is the leading brand of commercial faucets and fittings in the United States, offering a complete range of products for schools, laboratories, hospitals, office buildings, food service, airports and sport facilities. Call 1.800.TECTRUE or 1.847.803.5000 Option 1 for installation or other technical assistance.

