

Accessories & Parts

E80-SDL-1MB

Product Type

E-Tronic® 80 soap dispenser

Features & Specifications

- DC operation - powered by 4 'D' batteries
- Dispenses liquid soap
- Matte black finish
- Liquid Soap Viscosity: 1-3500 cps (mpa.s)
- Single hole
- Complies with the requirements of the Buy American Act of 1933.

Performance Specifications

Rated Operating Temperature: 33-131°F (1-50°C)

Liquid Soap*

Liquid soap viscosity 1-3500 cps
Liquid soap dispenses activation:

- 1st gear: 4150 dispenses per soap bottle (1.6L)
- 2nd gear: 2600 dispenses per soap bottle (1.6L) **Default factory setting**
- 3rd gear: 1950 dispenses per soap bottle (1.6L)
- 4th gear: 1600 dispenses per soap bottle (1.6L)

* Results may vary based on soap viscosity

Warranty

- 5-Year Limited Material Warranty
- 3-Year Limited Electronics and Solenoid Warranty
- 1-Year Limited Finish Warranty

Codes & Standards

-  ADA ANSI/ICC A117.1

Job Name _____

Item Number _____

Section/Tag _____

Model Specified _____

Architect _____

Engineer _____

Contractor _____

Submitted as Shown Submitted with Variations

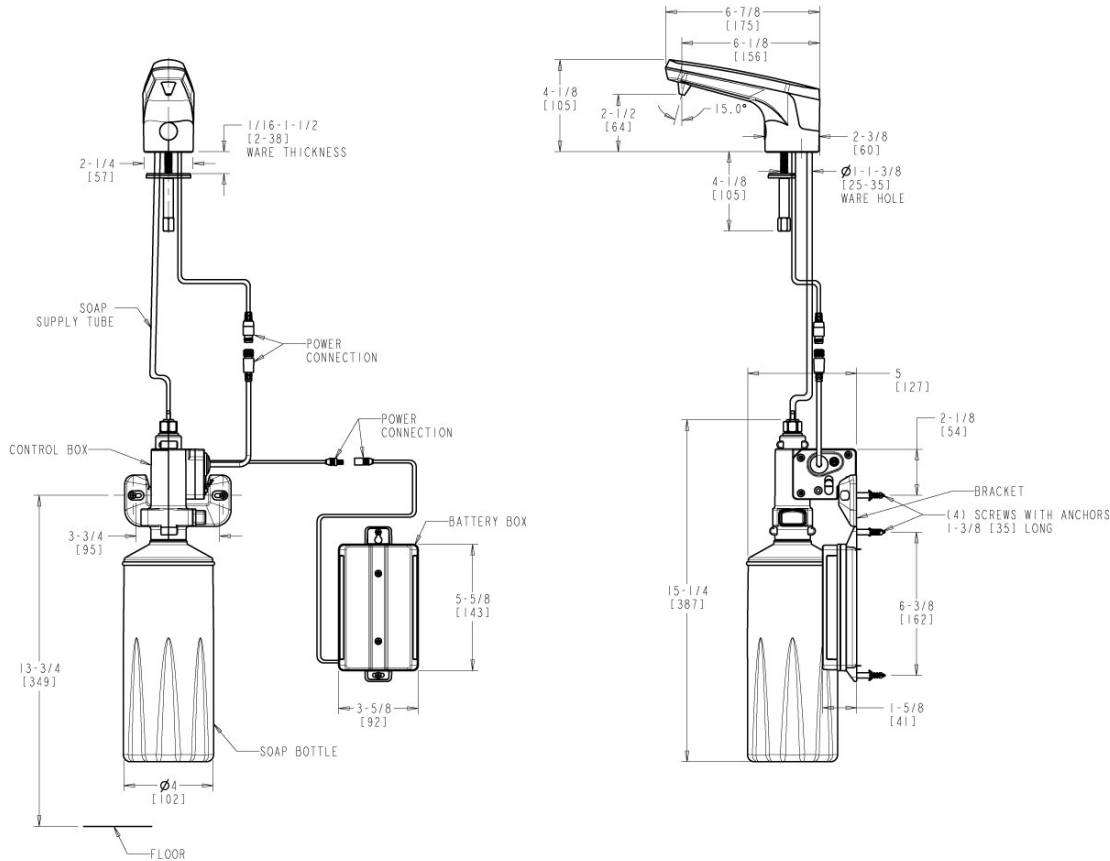
Date _____



2100 South Clearwater Drive
Des Plaines, IL
P: 847/803-5000
F: 847/803-5454
Technical: 800/TEC-TRUE
www.chicagofaucets.com

Architect/Engineer Specification

Chicago Faucets No. E80-SDL-1MB, Touchless Soap Dispenser, single-hole deck mount, chrome plated. DC 6V (4 'D' batteries included). Dispenses liquid soap.



Operation and Maintenance

Installation should be in accordance with local plumbing codes. Flush all pipes thoroughly before installation. After installation, remove spout outlet or flow control and flush faucet thoroughly to clear any debris. Care should be taken when cleaning the product. Do not use abrasive cleaners, chemicals or solvents as they can result in surface damage. Use mild soap and warm water for cleaning and protecting the life of Chicago Faucet products. For specific operation and maintenance refer to the installation instructions and repair parts documents that are located at www.chicagofaucets.com.

Chicago Faucets, member of the Geberit Group, is the leading brand of commercial faucets and fittings in the United States, offering a complete range of products for schools, laboratories, hospitals, office buildings, food service, airports and sport facilities. Call 1.800.TECTRUE or 1.847.803.5000 Option 1 for installation or other technical assistance.



2100 South Clearwater Drive
Des Plaines, IL
P: 847/803-5000
F: 847/803-5454
Technical: 800/TEC-TRUE
www.chicagofaucets.com