

Touchless Faucets AEQ-B11A-33ABCPT

Product Type

Alento faucet with touch-free operation

Features & Specifications

- Includes built-in ASSE 1070 thermostatic mixing valve concealed within control box
- 60 second run time with hand presence. Safety auto-timeout feature will shut the water off after 60 seconds. Reactivate faucet by removing hands from the sensor for at least 1 second
- Built-in Bluetooth® technology allows for easy adjustments and mode changes using a smartphone or tablet with the Chicago Faucets CF Connect App.
- Internal Antenna Specifications: Peak Gain of the antenna: +1.5 dBi, Frequency range: 2.4 GHz, FCC ID: 2APTX-CFC05
- Single-hole
- Alpina® Alento spout, 0.5 GPM
- Outlet for Alpina® Series touchless faucets, 0.5 GPM
- ECAST® design provides durable cast brass construction with total lead content equal to or less than 0.25% by weighted average
- Complies with the requirements of the Buy American Act of 1933.

Performance Specification

- Operating static pressure: 20-125 PSI (138-862 kPa).
- Minimum static pressure for mixing 30 PSI (207 kPa).
- Cold water inlet temperature range: 39-80°F (4-27°C). Hot water inlet temperature range: 100-180°F (38-82°C).
- Mixed water temperature range: 80-120°F (27-49°C). * Adjustable temperature control. Accurate within ±3°F (1.7°C).
- Minimum flow rate for proper functioning of thermostatic protection: 0.35 GPM (1.3 LPM).
- Maximum pressure differential between hot and cold water supplies: 20%. Minimum inlet water supply temperature differential: 20°F (11°C). Integral check valves for cross-flow protection.

*WARNING! Water temperatures in excess of 110°F (43°C) are dangerous and may cause scalding or severe injury. This fitting is NOT factory preset and can be adjusted to deliver water at temperatures exceeding 110°F (43°C).

Warranty

- 3-Year Limited Electronics and Solenoid Warranty
- Lifetime Limited Faucet Warranty
- 1-Year Limited Finish Warranty
- 5-Year Limited Mechanical Warranty

Codes & Standards

- ASME A112.18.1/CSA B125.1
- ADA ANSI/ICC A117.1
- Complies with CALGreen requirements
- Certified to ASSE 1070 / ASME A112.1070 / CSA B125.70
- NSF/ANSI/CAN 61: Q ≤ 1
- NSF/ANSI/CAN 372 Low Lead Content

Job Name _____

Item Number _____

Section/Tag _____

Model Specified _____

Architect _____

Engineer _____

Contractor _____

Submitted as Shown Submitted with Variations

Date _____



ECAST

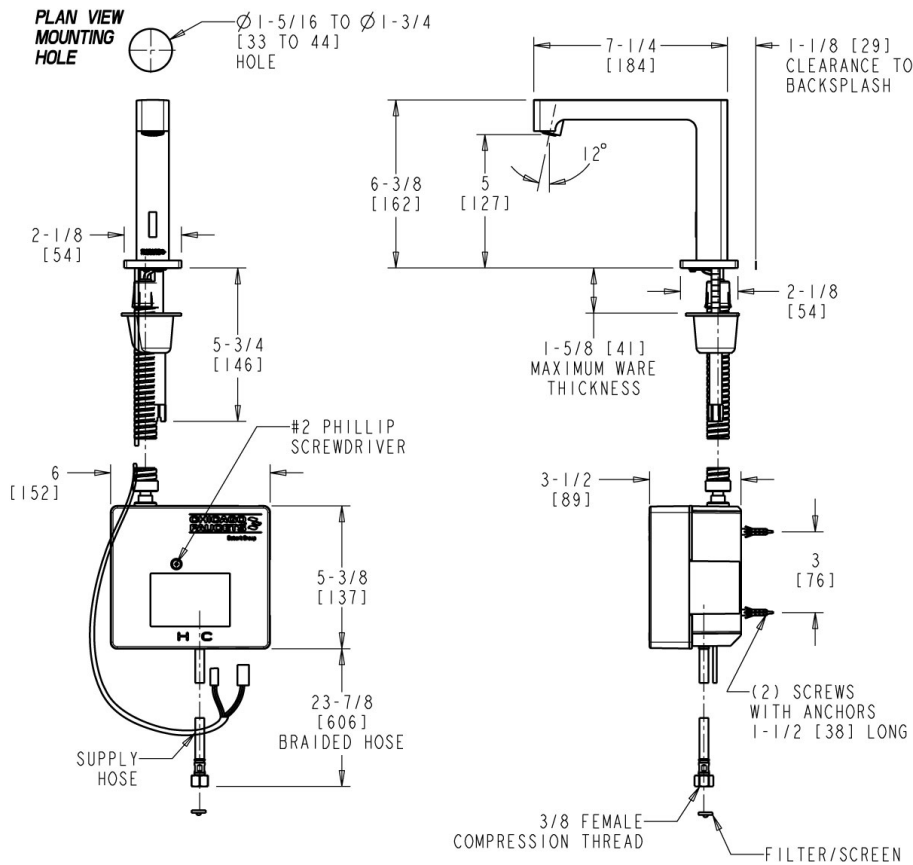
ECAST products are intended for installation where state laws and local codes mandate lead content levels or in any location where lead content is a concern.



2100 South Clearwater Drive
Des Plaines, IL
P: 847/803-5000
F: 847/803-5454
Technical: 800/TEC-TRUE
www.chicagofaucets.com

Architect/Engineer Specification

Chicago Faucets No. AEQ-B11A-33ABCPT, Alpina® Series Alento Lavatory Sink Faucet with hands-free infrared detection, single-hole deck mount. Chrome plated. 0.5 GPM (1.9 L/min) vandal-proof, pressure compensating, Econo-Flo non-aerating spray outlet. Dual supply for hot and cold water service. Power supply from 120 VAC, 60 Hz to 6 VDC with spade terminals for wall socket plug-in connection (included). Includes flexible supply hose(s). Includes built-in ASSE 1070 thermostatic mixing valve concealed within control box. On-demand IR detection for hands-free actuation and maximum water savings. Built-in Bluetooth® technology allows for easy adjustments and mode changes using a smartphone or tablet with the Chicago Faucets CF Connect App. ECAST® construction with less than 0.25% lead content by weighted average. This product meets ADA ANSI/ICC A117.1 requirements and is tested and certified to industry standards: ASME A112.18.1/CSA B125.1, Certified to NSF/ANSI 61, Section 9, California Health and Safety Code 116875 (AB1953-2006), Vermont Bill S.152, NSF/ANSI 372 Low Lead Content.



Operation and Maintenance

Installation should be in accordance with local plumbing codes. Flush all pipes thoroughly before installation. After installation, remove spout outlet or flow control and flush faucet thoroughly to clear any debris. Care should be taken when cleaning the product. Do not use abrasive cleaners, chemicals or solvents as they can result in surface damage. Use mild soap and warm water for cleaning and protecting the life of Chicago Faucet products. For specific operation and maintenance refer to the installation instructions and repair parts documents that are located at www.chicagofaucets.com.

Chicago Faucets, member of the Geberit Group, is the leading brand of commercial faucets and fittings in the United States, offering a complete range of products for schools, laboratories, hospitals, office buildings, food service, airports and sport facilities. Call 1.800.TECTRUE or 1.847.803.5000 Option 1 for installation or other technical assistance.

