

# MECHANICAL FAUCETS

## 929-E22E7CP

### Water Faucets



#### Product Type

Deck Mounted Single Hole Hot and Cold Water Mixing Faucet

#### Features & Specifications

- Single Hole
- 5-1/4" Rigid / Swing Gooseneck Spout
- Full Flow
- 2-1/2" Vandal Proof Cross Handles
- Slow Compression Operating Cartridges
- 3/8" Compression Flexible Stainless Steel Supply Hoses
- Dual Check Vacuum Breakers for Laboratory Faucets are used for noncontinuous pressure, health hazard, applications and are backsiphonage backflow preventers. This series is specially made for laboratory faucets where portable hoses can be attached and prevent the flow of contaminated water back into the potable water supply. These vacuum breakers can be installed on new or existing faucets without plumbing changes.

#### Performance Specification

- Rated Operating Pressure: 20-125 PSI
- Rated Operating Temperature: 40-140°F

#### Warranty

- Lifetime Limited Faucet Warranty
- 5-Year Limited Cartridge Warranty
- 1-Year Limited Finish Warranty

#### Codes & Standards

- ASME A112.18.1/CSA B125.1
- Certified to NSF/ANSI 61, Section 9 by CSA

Job Name \_\_\_\_\_

Item Number \_\_\_\_\_

Section/Tag \_\_\_\_\_

Model Specified \_\_\_\_\_

Architect \_\_\_\_\_

Engineer \_\_\_\_\_

Contractor \_\_\_\_\_

Submitted as Shown       Submitted with Variations

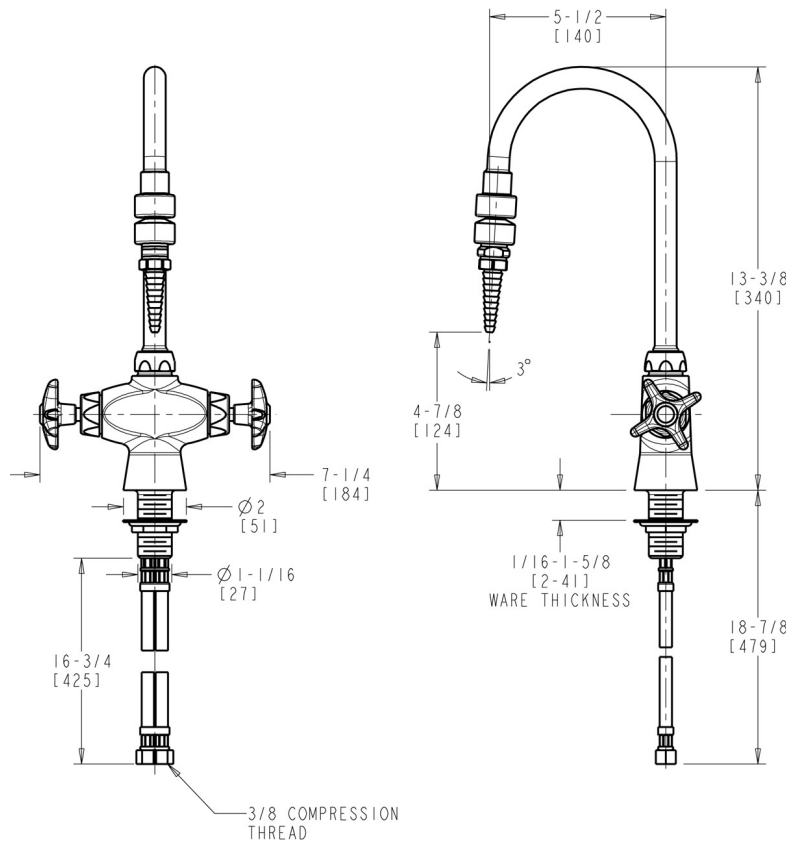
Date \_\_\_\_\_



2100 South Clearwater Drive  
Des Plaines, IL  
P: 847/803-5000  
F: 847/803-5454  
Technical: 800/TEC-TRUE  
www.chicagofaucets.com

### Architect/Engineer Specification

Chicago Faucets No. 929-E22E7CP, Sink Faucet for hot and cold water, single-hole deck mount, chrome plated. Rigid/swing gooseneck spout, 5-1/4" center-to-center. Laboratory serrated, full-flow nozzle with backflow preventer. 2-1/2" metal, vandal-proof, cross handles with eight-point, tapered broach and buttons indexed "CW" and "HW". Slow compression rebuildable cartridge, opens and closes 360° for fine adjustment, closes with water pressure, features square, tapered stem. Flexible stainless steel supply hoses with 3/8" compression fitting. Dual-check vacuum breakers for laboratory faucets are used for non-continuous pressure, health hazard applications and are backsiphonage, backflow preventers. This series is specially made for laboratory faucets where portable hoses can be attached and prevent the flow of contaminated water back into the potable water supply. These vacuum breakers can be installed on new or existing faucets without plumbing changes. This product is tested and certified to industry standards: ASME A112.18.1/CSA B125.1, and Certified to NSF/ANSI 61, Section 9 by CSA.



### Operation and Maintenance

Installation should be in accordance with local plumbing codes. Flush all pipes thoroughly before installation. After installation, remove spout outlet or flow control and flush faucet thoroughly to clear any debris. Care should be taken when cleaning the product. Do not use abrasive cleaners, chemicals or solvents as they can result in surface damage. Use mild soap and warm water for cleaning and protecting the life of Chicago Faucet products. For specific operation and maintenance refer to the installation instructions and repair parts documents that are located at [www.chicagofaucets.com](http://www.chicagofaucets.com).

Chicago Faucets, member of the Geberit Group, is the leading brand of commercial faucets and fittings in the United States, offering a complete range of products for schools, laboratories, hospitals, office buildings, food service, airports and sport facilities. Call 1.800.TECTRUE or 1.847.803.5000 Option 1 for installation or other technical assistance.

