

Laboratory Fittings 830-PVDF

Product Type

Deck-mounted laboratory PVDF pure water fitting

Features & Specifications

- Single-hole
- Complies with the requirements of the Buy American Act of 1933.

Performance Specification

- Rated Operating Pressure: 150 PSI max.

Warranty

- 5-Year Limited Faucet Warranty
- 1-Year Limited Finish Warranty
- 5-Year Limited Mechanical Warranty

Codes & Standards

Job Name _____

Item Number _____

Section/Tag _____

Model Specified _____

Architect _____

Engineer _____

Contractor _____

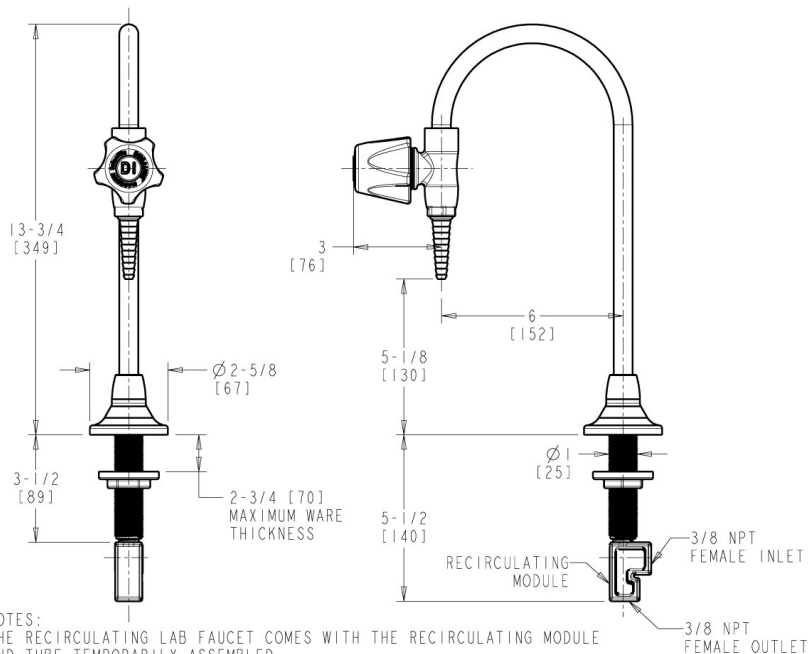
Submitted as Shown Submitted with Variations

Date _____



Architect/Engineer Specification

Chicago Faucets No. 830-PVDF, Pure Water Faucet, Polyvinylidene Fluoride (PVDF), deck-mounted. 3/8" NPT female inlet or 1/2" NPSM male thread inlet. This faucet is designed to allow for full recirculation and provide a constant flow of DI Water when the point-of-use dispense is not being utilized.



Operation and Maintenance

Installation should be in accordance with local plumbing codes. Flush all pipes thoroughly before installation. After installation, remove spout outlet or flow control and flush faucet thoroughly to clear any debris. Care should be taken when cleaning the product. Do not use abrasive cleaners, chemicals or solvents as they can result in surface damage. Use mild soap and warm water for cleaning and protecting the life of Chicago Faucet products. For specific operation and maintenance refer to the installation instructions and repair parts documents that are located at www.chicagofaucets.com.

Chicago Faucets, member of the Geberit Group, is the leading brand of commercial faucets and fittings in the United States, offering a complete range of products for schools, laboratories, hospitals, office buildings, food service, airports and sport facilities. Call 1.800.TECTRUE or 1.847.803.5000 Option 1 for installation or other technical assistance.

