



A WATTS Brand

# TL-18

## Terreon® Imperial Wall-Mount Lavatory

- ADA, ANSI, and UFAS Compliant
- Superior vandal resistance compared to vitreous china lavs
- Constructed of easy-to-maintain Terreon® solid surface material
- Includes stainless steel mounting bracket
- Features built-in overflow
- Available in a variety of colors
- Ideal for use with Bradley Aerada™ Faucets

### Specifications

The Terreon Imperial wall-mount lavatories are an ideal alternative for wall-mounted vitreous china lavatories. The TL-18 is available for use with Bradley Aerada faucets or faucets by others. The ledged bowl design ensures that water remains in the bowl and not on the rest-room floor. Each Terreon Imperial wall-mount lavatory provides individual hand-washing space coupled with vandal-resistant design.

### Construction

#### Bowl

Constructed of Terreon, a densified solid surface material composed of a bio-based resin. Terreon is resistant to chemicals, stains, burns and impact. Surface damage can be easily repaired with everyday cleansers or fine grit abrasives. Terreon is GREENGUARD® certified as low-emitting materials.

#### Support Frame

Lavatory is secured to a heavy gauge stainless steel support frame mounted to the wall.

### Product Compliance

#### Listed by IAPMO R&T to

- Uniform Plumbing Code (UPC)
- National Plumbing Code of Canada
- International Plumbing Code (IPC)
- IGC 156 and the requirements of CSA B45.5/ IAPMO Z124 and ASME A112.18.1/CSA B125.1



#### Complies with

- ADA
- ICC/ANSI 117.1
- TAS
- NSF/ANSI 372



#### Listed by UL Environment to

- GreenGuard Gold



### Sustainability

Terreon participates in the mindful MATERIALS library



- Serves the American Disabilities Act and ICC/ANSI 117.1 guidelines, citations 306, 308, 309.4, 606.4, 606.5 when installed according to these requirements. Consult local codes and standards.



Model TL-18

### Model

#### Model No.

TL-18

Wall-Mount Lavatory (21" x 18")

### Standard Selections (Must select one from each category)

#### Faucet DrillingType (select one)

- 4" SET** 4" Centerset
- SHANK** Centershank

#### Water Supply Type (select one)

- TMA** Navigator® Thermostatic Mixing Assembly (Hot and Cold Supplies)
- TL** Single Tempered Line
- NONE** None

#### Color of Terreon Bowl/Sprayhead Cover (select one)

**NOTE: Click on any swatch to view as a larger image.**

#### Standard Colors

- |   |  |
|---|--|
| <b>ALP-WHT</b> <input type="checkbox"/> Alpine White  | <b>PEBBLE</b> <input type="checkbox"/> Pebble Beach    |
| <b>CHAR</b> <input type="checkbox"/> Charcoal Gray    | <b>PEP-WHT</b> <input type="checkbox"/> Peppered White |
| <b>DRIFT</b> <input type="checkbox"/> Driftwood†      | <b>POLAR</b> <input type="checkbox"/> Polar Ice †      |
| <b>DS-WHT</b> <input type="checkbox"/> Designer White | <b>RIVER</b> <input type="checkbox"/> Riverstone       |
| <b>E-GRAY</b> <input type="checkbox"/> Empire Gray    | <b>SAND</b> <input type="checkbox"/> Sandtrap          |
| <b>GLACIER</b> <input type="checkbox"/> Glacier       | <b>S-CREEK</b> <input type="checkbox"/> Stone Creek    |
| <b>GRAPH</b> <input type="checkbox"/> Graphite        | <b>S-MIST</b> <input type="checkbox"/> Silver Mist     |
| <b>LANNON</b> <input type="checkbox"/> Lannonstone    | <b>WHT-SAND</b> <input type="checkbox"/> White Sand    |
| <b>MOONSTONE</b> <input type="checkbox"/> Moonstone † |  |

### Optional Selections

#### Waste Assembly Type:

- S-CHROME** Single Chrome-Plated P-Trap

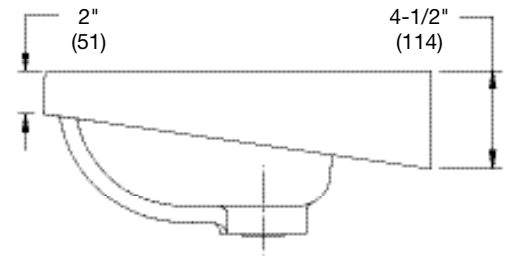
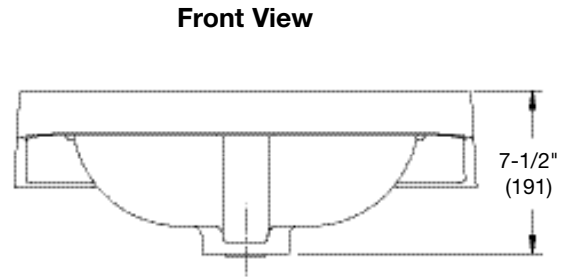
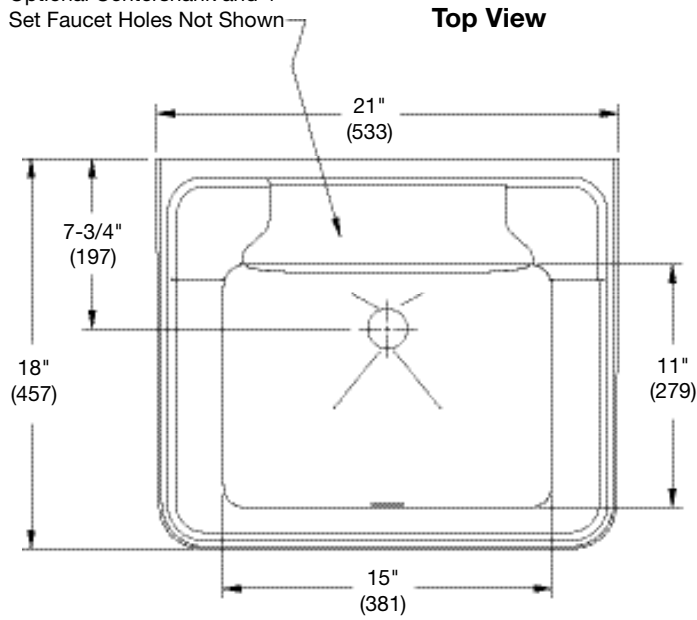
- This plumbing fixture is designed for hand washing only. It is not intended to dispense water for human consumption through drinking or for preparation of food or beverages.

Verify all rough-in dimensions prior to installation. Consult local and national codes. Conformity and compliance to local and national codes is the responsibility of the installer.



**TL-18 Dimensions**

Optional Centershank and 4"  
Set Faucet Holes Not Shown



Verify all rough-in dimensions prior to installation.  
Consult local and national codes. Conformity and compliance to local  
and national codes is the responsibility of the installer.

Page 2 of 3  
This information is subject to change without notice.  
Bradley\_Sink\_Imperial\_TL-18

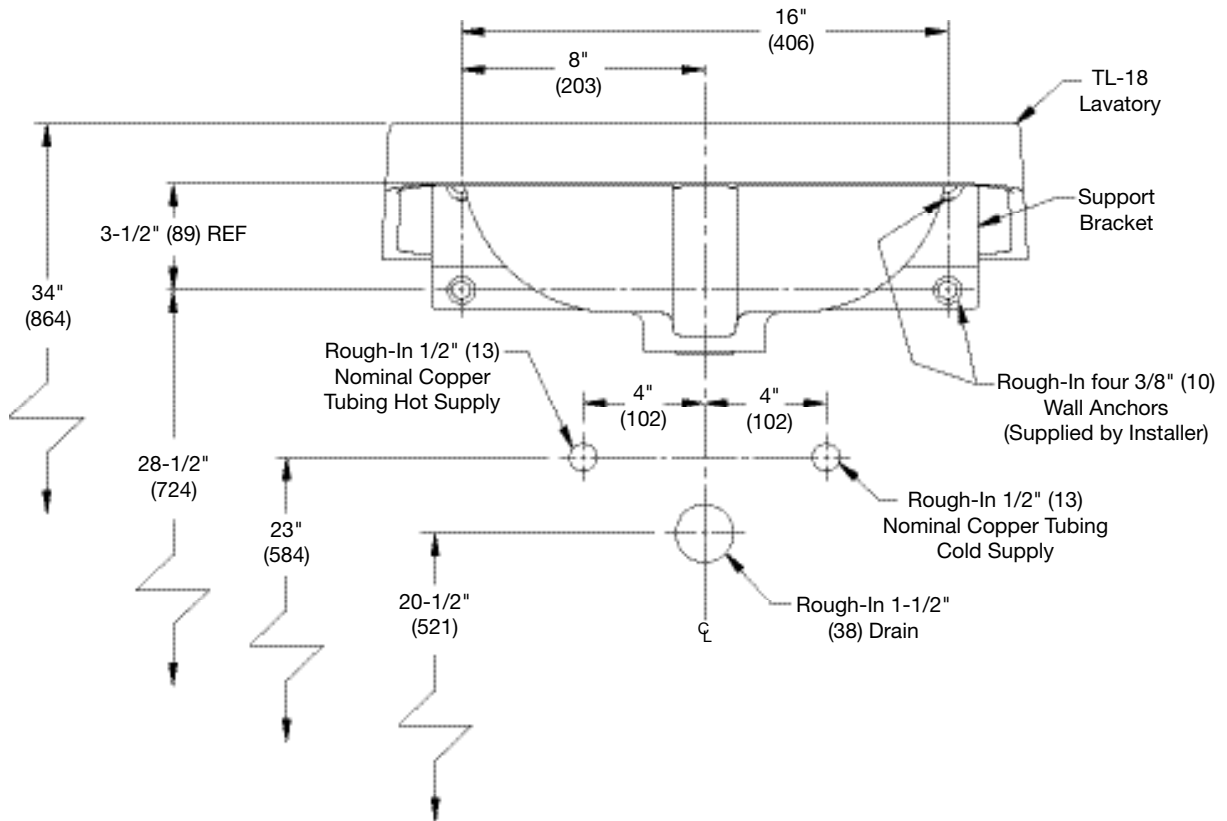
2/21/2024

[View Latest Version](#)

© 2024 Bradley  
P.O. Box 309, Menomonee Falls, WI 53052-0309  
800 BRADLEY (800 272 3539) +1 262 251 6000  
bradleycorp.com



## Rough-ins for TL-18



Verify all rough-in dimensions prior to installation.  
Consult local and national codes. Conformity and compliance to local and national codes is the responsibility of the installer.