



A WATTS Brand

# SS-EXT Terreon® Express® Extension – SS or EXD-Series

- Compatible with Express Lavatory Systems — SS or EXD-Series
- Compatible with SafeCare Ligature-Resistant Lavatory — HSL1, when installed properly
- Multiple lengths and configurations
- Constructed of vandal-resistant Terreon® solid surface material
- Available in a variety of colors

## Specifications

Terreon Express Extensions are custom manufactured to various lengths between 10" and 76" to accommodate most applications. Extensions are available in all Terreon colors and come equipped with two end brackets and up to three angle mounting brackets depending on length. Install this Express Extension between Express Lavatories and/or at the end of an alcove wall. Each extension provides a continuous design while adding counter space for personal items.

## Construction

Constructed of Terreon, a densified solid surface material composed of bio-based resin. Terreon is resistant to chemicals, stains, burns and impact. Surface damage can be easily repaired with everyday cleansers or fine grit abrasives. Terreon is GREENGUARD® certified as low-emitting materials.

The Express Extension is designed for mounting between two Express Lavatories or between an Express Lavatory and an alcove wall.

## Product Compliance

### Listed by UL Environment to

- GreenGuard Gold

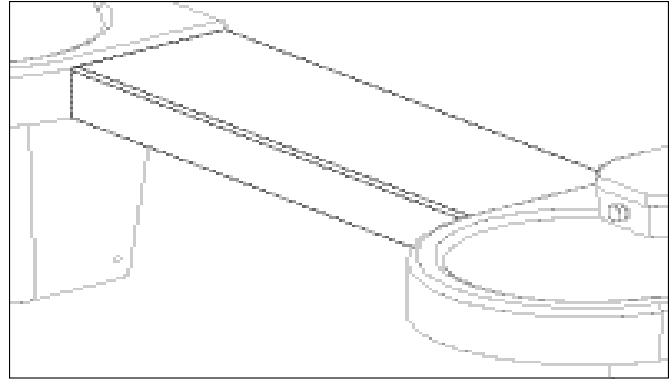


### Complies with

- Requirements of CSA B45.5/APMO Z124

## Sustainability

Terreon participates in the mindful MATERIALS library



## Standard Selections

### Express Extension Length

Specify dimension from 10" to 76" (to the nearest ¼").

Length: \_\_\_\_\_

### Mounting Location

<b>BTWN</b>	Extension mounted between two units
<b>AL</b>	Extension mounted left side of wall
<b>AR</b>	Extension mounted right side of wall

### Color of Terreon Extension (select one)

**NOTE: Click on any swatch to view as a larger image.**

#### Standard Colors

<b>ALP-WHT</b>	<input type="checkbox"/> Alpine White	<b>PEBBLE</b>	<input type="checkbox"/> Pebble Beach
<b>CHAR</b>	<input type="checkbox"/> Charcoal Gray	<b>PEP-WHT</b>	<input type="checkbox"/> Peppered White
<b>DRIFT</b>	<input type="checkbox"/> Driftwood <sup>1</sup>	<b>POLAR</b>	<input type="checkbox"/> Polar Ice <sup>1</sup>
<b>DS-WHT</b>	<input type="checkbox"/> Designer White	<b>RIVER</b>	<input type="checkbox"/> River
<b>E-GRAY</b>	<input type="checkbox"/> Empire Gray	<b>SAND</b>	<input type="checkbox"/> Sandtrap
<b>GLACIER</b>	<input type="checkbox"/> Glacier	<b>S-CREEK</b>	<input type="checkbox"/> Stone Creek
<b>GRAPH</b>	<input type="checkbox"/> Graphite	<b>S-MIST</b>	<input type="checkbox"/> Silver Mist
<b>LANNON</b>	<input type="checkbox"/> Lannonstone	<b>WHT-SAND</b>	<input type="checkbox"/> White Sand
<b>MOONSTONE</b>	<input type="checkbox"/> Moonstone <sup>1</sup>		

<sup>1</sup> This color contains large, randomly distributed chips.

Verify all rough-in dimensions prior to installation.

Consult local and national codes. Conformity and compliance to local and national codes is the responsibility of the installer.



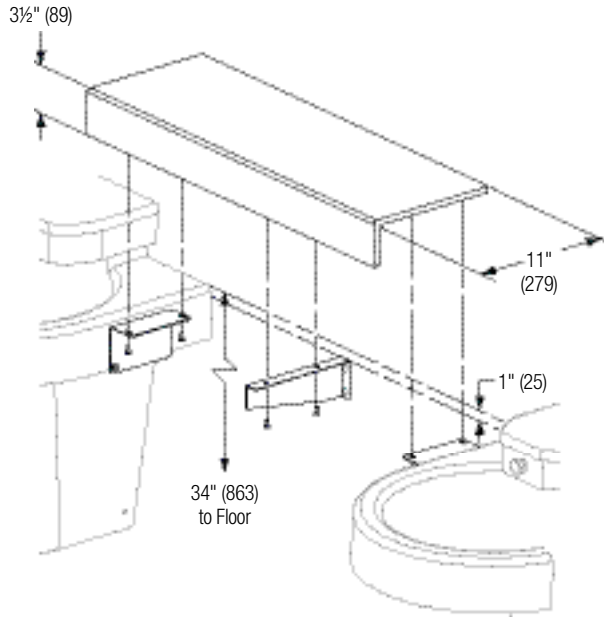
# SS-EXT Terreon® Express® Extension – SS or EXD-Series

## Dimensions

(mm)



Top surface of Express Extension will be ½" lower than rim height of Express Lavatory System.  
All hardware for wall mounting (including ¼" wall anchors) is supplied by the installer.



Quantity of Angle  
Mounting Brackets

Length	Quantity (P/N 140-814)
10 – 22"	0
23 – 40"	1
41 – 58"	2
59 – 76"	3

Verify all rough-in dimensions prior to installation.

Consult local and national codes. Conformity and compliance to local and national codes is the responsibility of the installer.

Page 2 of 2

2/19/2024

[View Latest Version](#)

This information is subject to change without notice.

Bradley\_Sink\_Express\_SS-EXT

© 2024 Bradley  
P.O. Box 309, Menomonee Falls, WI 53052-0309  
800 BRADLEY (800 272 3539) +1 262 251 6000  
bradleycorp.com