

Security framed front-mounted wall mirror:

- Model SA03-1 (Stainless Steel)**
- Model SA03-2 (Stainless Steel)**
- Model SA03-5 (Plexiglas®)**

Product Materials

FRAME: 14 gauge stainless steel, seamless construction, with exposed surfaces in architectural satin finish. Unit supplied with 1/4" - 20 x 1-1/2" L torx-head screws for installation to wall anchors (not included). Torx driver available as option. Mirror material held to frame by fiberboard backing.

MIRROR MODEL SA03-1: mirror is 20 gauge, stainless steel polished to a No. 8 architectural finish. Stretcher leveled for uniform finish. Very bright – excellent reflectivity, very slight polish grain.

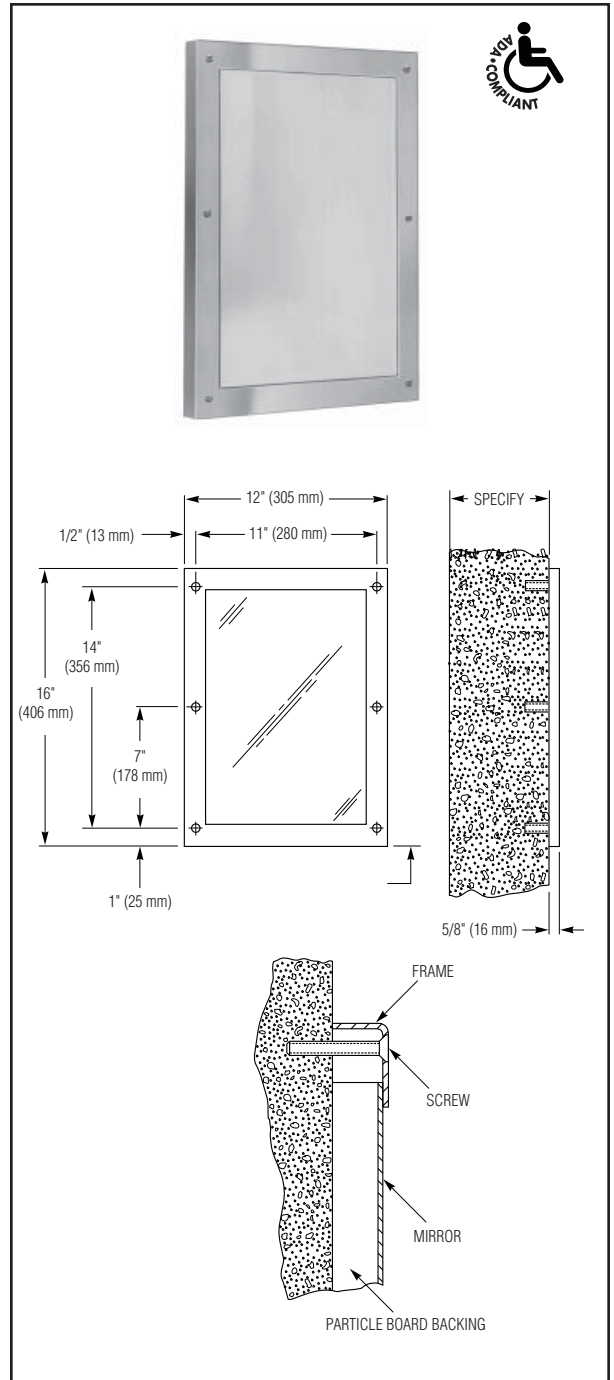
MIRROR MODEL SA03-2: mirror is 20 gauge, stainless steel, bright annealed. Stretcher leveled for uniform finish. Surface is bright and smooth with mirror-like finish.

MIRROR MODEL SA03-5: plexiglass mirror is 1/4" thick with excellent reflectivity. Surface subject to scratching and must not be cleaned with abrasive cleaners. (Plexiglas® is a Registered Trademark of Rohm & Haas.)

Stainless steel mirrors will differ in optic quality from glass mirrors.

ADA Compliant

- Consult local and national accessibility codes for proper installation guidelines.
- Conformity and compliance to local and national codes is the responsibility of the installer.



**Washroom Accessories
Document No. 9175**