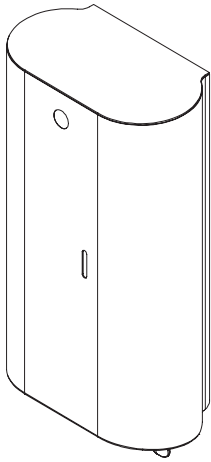


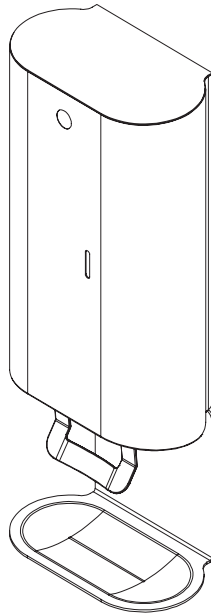
Installation and Maintenance Guide

Elvari™ Surface-Mounted Soap Dispenser (Manual)

6B1 Series



Soap Dispenser



Soap Dispenser with
Optional Drip Tray

Table of Contents

Safety Information	2
Dimensions.....	2
Installing the Soap Dispenser	3
Cleaning and Maintenance.....	3



[Scan or click code to view
Installation Guide \(English\)](#)



[Scan or click code to view
Installation Guide \(French\)](#)



[Scan or click code to view
Installation Guide \(Spanish\)](#)



**Read the instructions in this manual before beginning installation.
Save these instructions and refer to them for operation and maintenance information.**

For questions regarding the operation, installation, or maintenance of this product, visit bradleycorp.com or call 800.BRADLEY (800.272.3539).
Product warranties and parts information may also be found under “Resources” on our website at bradleycorp.com.



Safety Information

WARNING

The soap dispenser assembly is no stronger than the anchors and walls to which it is attached, and therefore, must be firmly secured in order to support meet regulatory requirements. To avoid potential injury, the building owner or maintenance personnel should remove the dispenser assembly from service if the mounting is not adequately secured to the wall or if there are any observed product defects.

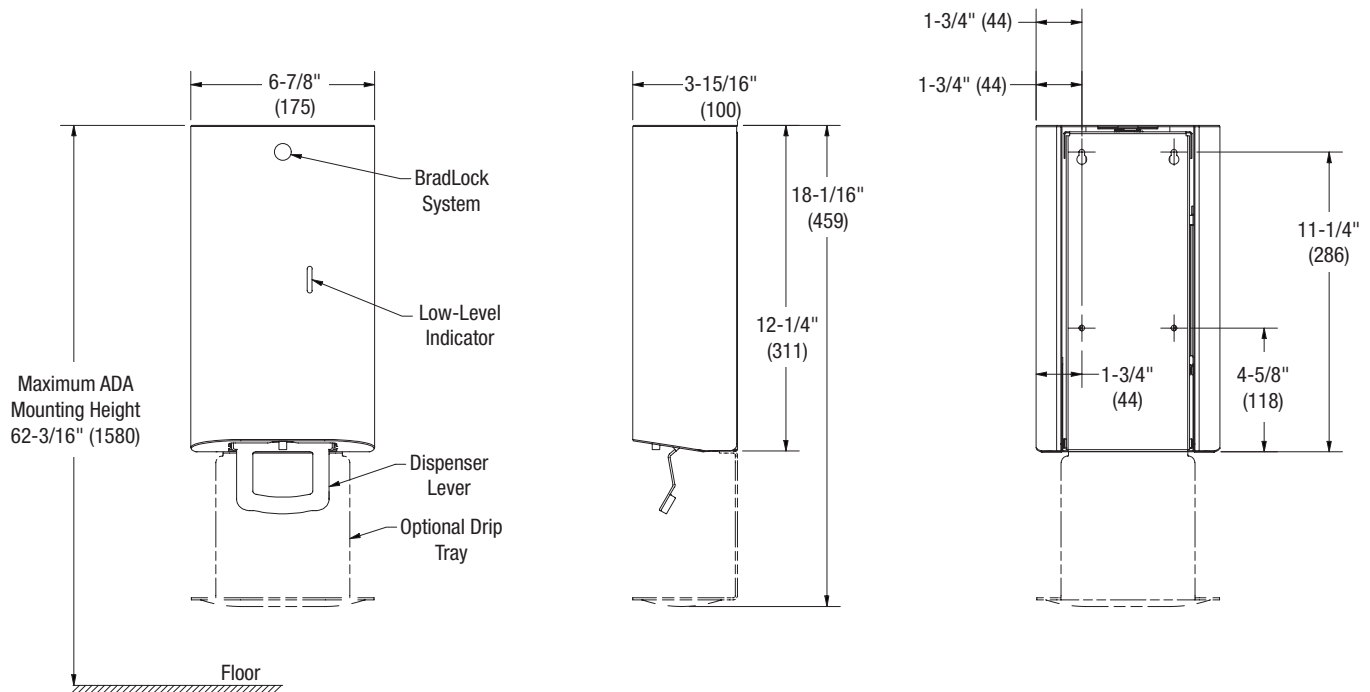
IMPORTANT

Read this entire installation manual to ensure proper installation. When installation is complete, file this manual with the owner or maintenance department. Compliance and conformity to local codes and ordinances is the responsibility of the installer.

Separate parts from packaging and make sure all parts are accounted for before discarding any packaging material. If any parts are missing, do not begin installation until you obtain the missing parts.

Dimensions

(mm)



Installing the Soap Dispenser



Coordinate installation with architect and contractor to avoid protrusion from opposite wall or pipes, vents, conduits, electrical wiring, etc., in wall.

Follow all applicable local building codes. If installing where unit projects above top of wainscot, provide aluminum channel or other filler to prevent gap from finished wall and flange of unit. For block walls, use metal expansion shields (not included).

A Mark the top of the two mounting keyholes and then mark at least two of the four bottom mounting holes as shown in the illustration on page 2.

B Drill the holes and set the anchors (not included).

C Insert two screws into the top mounting holes. Be sure to leave a small gap between the fastener heads and the mounting surface.

Open the dispenser cover.

D

1. Place the magnetic key (included) on the Bradley logo and slightly push to disengage the lock.
2. With the magnetic key still on the logo, pull the cover slightly to open the dispenser.
3. Leave the magnetic key on the Bradley logo.

E Remove the soap tank and soap pump from the dispenser and then fully tighten the top fasteners to the dispenser back plate.

F Insert screws into the bottom mounting holes and then fully tighten.

G Install soap tank and soap pump back into the dispenser.

H With the magnetic key still on the logo, lift the cover and close. Remove the magnetic key.



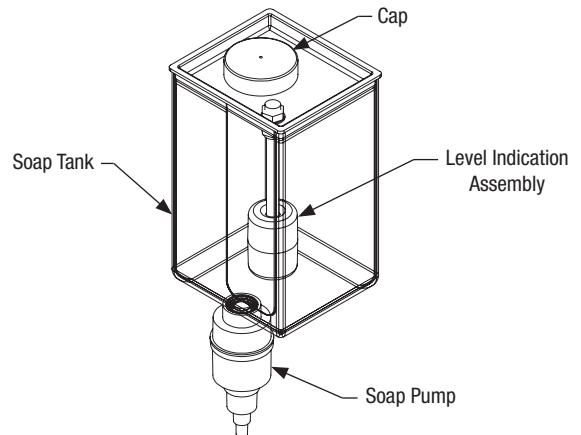
Verify the type of soap being used (foam, liquid, etc.) is compatible with the dispenser. Compatible soap types can be found on the soap pump.

Cleaning and Maintenance

Cleaning Soap Dispenser Components

The soap tank, cap, float indication assembly, and soap pump require periodic cleaning to maintain proper function.

- Open the soap dispenser cover using the magnetic key. Place key on the Bradley logo and push slightly, the lock will disengage. Remove the components from the dispenser.
- Rinse the soap tank, cap, and float indication assembly using warm water.
- Add hot water to the soap tank (with the pump attached) and then activate the pump to flush any hardened soap residue from the inside of the pump.



Cleaning Stainless Steel

Scan or click the QR code below to view the Stainless Steel Washroom Accessories document.

