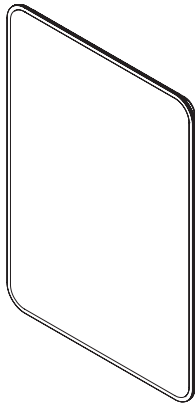


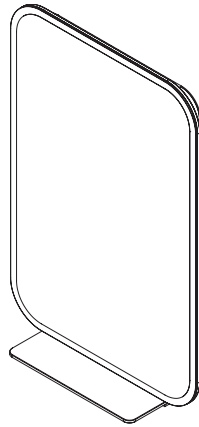
Installation and Maintenance Guide

Elvari™ LED Mirror

Model 7B1 Series



LED Mirror



LED Mirror with Shelf

Table of Contents

Safety Information	2
Compliance Information	2
Parts List	3
Dimensions	3
Wiring the LED Mirror	4
Mounting the LED Mirror	5
Mounting the Optional LED Shelf	6
Removing the LED Mirror	7
Cleaning & Maintenance	7



[Scan or click code to view
Installation Guide \(English\)](#)



[Scan or click code to view
Installation Guide \(French\)](#)



[Scan or click code to view
Installation Guide \(Spanish\)](#)



**Read the instructions in this manual before beginning installation.
Save these instructions and refer to them for operation and maintenance information.**

For questions regarding the operation, installation, or maintenance of this product, visit bradleycorp.com or call 800.BRADLEY (800.272.3539). Product warranties and parts information may also be found under “Resources” on our website at bradleycorp.com.



Safety Information

WARNING

The LED mirror assembly is no stronger than the anchors and walls to which they are attached, and therefore, must be firmly secured in order to meet regulatory requirements. To avoid potential injury, the building owner or maintenance personnel should remove the LED mirror from service if the mounting is not adequately secured to the wall or if there are any observed product defects.

All mounting hardware is supplied by installer and must be appropriate for wall construction. Wall anchors/backing used must provide adequate support for the intended load requirements. Always check local codes and ordinances prior to installation.

CAUTION

Use extreme care when removing the wall bracket from the back of the mirror. Do not allow the tabs or slots to become flat or bend out of shape.

IMPORTANT

Read this entire installation manual to ensure proper installation. When installation is complete, file this manual with the owner or maintenance department. Compliance and conformity to local codes and ordinances is the responsibility of the installer.

Separate parts from packaging and make sure all parts are accounted for before discarding any packaging material. If any parts are missing, do not begin installation until you obtain the missing parts.

Compliance Information

Models: 7B1-5018300, 7B1-5018360, 7B1-5024360, 7B1-5024420, 7B1-5024480, 7B1-5024600, 7B1-5042600, 7B1-7018300, 7B1-7018360, 7B1-7024360, 7B1-7024420, comply with Part 15 of the FCC Rules. Operation is subject to the following two conditions: (1) this device may not cause harmful interference, and (2) this device must accept any interference received, including interference that may cause undesired operation.

 WARNING Changes or modifications to this unit not expressly approved by the party responsible for compliance could void the user authority to operate the equipment.

Notes: This equipment has been tested and found to comply with the limits for a Class B digital device, pursuant to Part 15 of the FCC Rules. These limits are designed to provide reasonable protection against harmful interference in a residential installation. This equipment generates, uses, and can radiate radio frequency energy and, if not installed and used in accordance with the instructions, may cause harmful interference to radio communications.

However, there is no guarantee that interference will not occur in a particular installation. If this equipment does cause harmful interference to radio or television reception, which can be determined by turning the equipment off and on, the user is encouraged to try to correct the interference by one or more of the following measures:

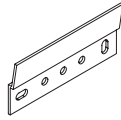
- Reorient or relocate the receiving antenna.
- Increase the separation between the equipment and receiver.
- Connect the equipment into an outlet on a circuit different from that to which the receiver is connected.
- Consult the dealer or an experienced radio/TV technician for help.

The responsible party for this product is Bradley Corporation. Address: W142N9101 Fountain Blvd, Menomonee Falls, WI, 53051. Phone number: (262)-251-6000.

Parts List



LED Mirror



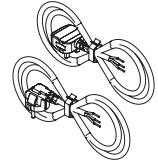
Mirror Mounting Bracket



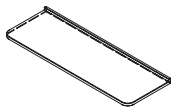
T-Screw Tamper-Proof Kit



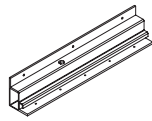
Power Cord (US)



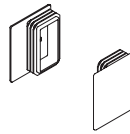
Power Cord (International)



Optional LED Shelf



LED Shelf Mounting Bracket



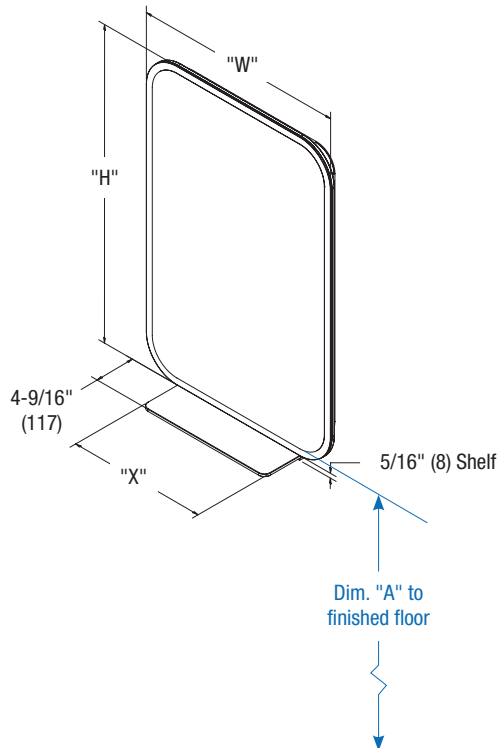
End Caps



Shelf Hardware

Dimensions

(mm)



Standard Model Number	International Model Number	Width "W" (mm)	Height "H" (mm)	Shelf Width "X" (mm)	Lumens
7B1-5018300	7B1-5018301	18" (457)	30" (762)	n/a	2750
7B1-5018360	7B1-5018361	18" (457)	36" (915)	n/a	3000
7B1-5024360	7B1-5024361	24" (610)	36" (915)	n/a	3000
7B1-5024420	7B1-5024421	24" (610)	42" (1067)	n/a	3600
7B1-5024480	7B1-5024481	24" (610)	48" (1219)	n/a	3600
7B1-5024600	7B1-5024601	24" (610)	60" (1524)	n/a	4000
7B1-5042600	7B1-5042601	42" (1067)	60" (1524)	n/a	4200
7B1-7018300	7B1-7018301	18" (457)	30" (762)	10" (254)	3000
7B1-7018360	7B1-7018361	18" (457)	36" (915)	10" (254)	3500
7B1-7024360	7B1-7024361	24" (610)	36" (915)	16" (406)	3650
7B1-7024420	7B1-7024421	24" (610)	42" (1067)	16" (406)	4250

Dim. "A" Key Surface:	For Dim. "A" (mm)	Bottom of Unit ¹ (mm)
Mirror's bottom edge of the reflecting surface (or top of frosted area) to finished floor	40" (1016)	39-7/16" (1002)
	37" (940)	36-7/16" (926)
	34" (864)	33-7/16" (849)

¹ Bottom of reflective surface or top of frosted area.

Wiring the LED Mirror

⚠ WARNING Before starting installation process, make sure the electrical supply is switched off. It is recommended that the fuse is withdrawn or the circuit breaker is switched off for the necessary circuit.

All wiring must be installed by a competent person, in accordance with local wiring regulations. If in doubt consult a qualified electrician.

Verify the electrical supply is shut off at the main power. It is recommended that the circuit breaker is switched off for the necessary circuit before installation begins.

A Remove the top and bottom screws that secure the LED driver box onto the angle brackets, and then lift the LED driver box way from the back of the mirror.

B Thread the power cable (not supplied) or the power cord with the plug (provided) through the cable gland and make all connections inside the LED box following the local electrical code.

For countries other than the US, use the power cable specific to that country and then discard the remaining power cables.

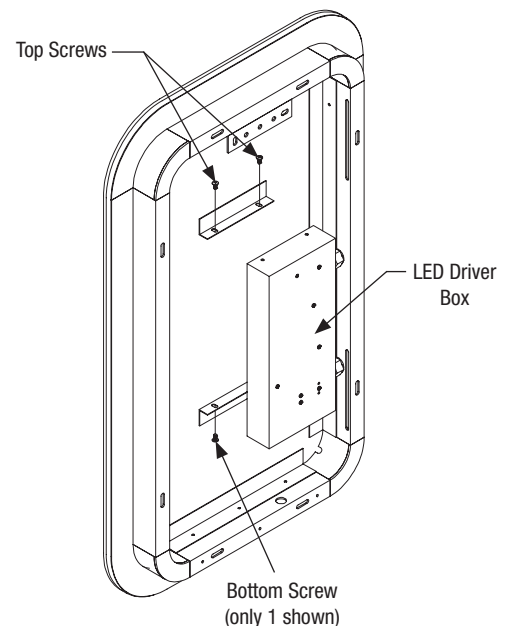
Make the electrical connection from the mirror to the main power supply using either of the following methods.

C

- Plug the power cord into a power outlet, if one is available.
- Hard wire the mirror in accordance with local building regulations; must be performed by a qualified electrician. It is recommended that another person hold the mirror in place while the electrical connections are made.

D Slide the mirror onto the mounting bracket(s) and align at least one of the T-screws with the slot(s) on the back of the mirror. Use the supplied T-wrench to turn the T-screw(s) 90°, securing the mirror in place.

After installation is complete, try to remove the mirror from the wall. If the mirror lifts off the wall, check to see if the mirror is seated properly. Use the supplied T-wrench to unlock the T-screw and then lift the mirror off the wall.



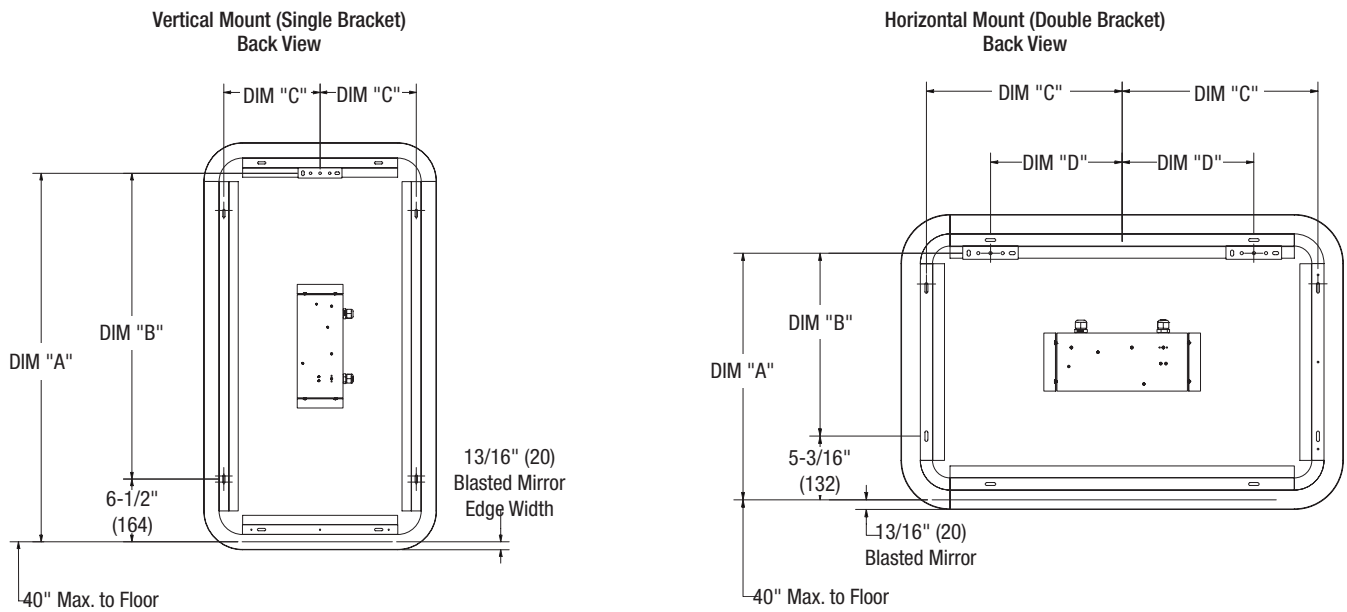
Mounting the LED Mirror

⚠ WARNING Before starting installation process, make sure the electrical supply is switched off. It is recommended that the fuse is withdrawn or the circuit breaker is switched off for the necessary circuit.

✓ For ease of installation, allow a minimum of 1-1/2" (38 mm) clear space above the mirror on the wall.

A Measure and locate the bracket mounting screw positions and the T-screw position. Refer to the illustrations and table below for screw locations.

✓ Check the installation height of the mirror with local barrier free guidelines. ADA requires that mirrors be mounted with the bottom edge of the reflective surface no higher than 40" (1015 mm) above the finished floor (inner-most edge of the illuminated portion).



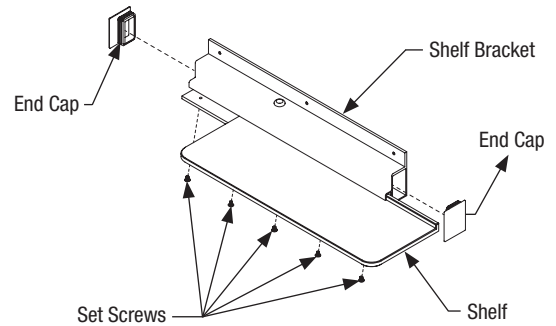
	Mirror Size (Height x Width)	Dim "A" (mm)	Dim "B" (mm)	Dim "C" (mm)	Dim "D" (mm)
Vertical Mount (Single Bracket)	18 x 30	24-1/2" (662)	19-9/16" (497)	6-15/16" (176)	-
	18 x 36	30-1/2" (775)	25-9/16" (649)	6-15/16" (176)	-
	24 x 36	30-1/2" (775)	25-9/16" (649)	9-15/16" (252)	-
	24 x 42	36-1/2" (927)	31-9/16" (802)	9-15/16" (252)	-
	24 x 48	42-1/2" (1080)	37-9/16" (954)	9-15/16" (252)	-
	24 x 60	54-1/2" (1384)	49-9/16" (1259)	9-15/16" (252)	-
	42 x 60	54-1/2" (1384)	49-9/16" (1259)	18-15/16" (481)	-
Horizontal Mount (Double Bracket)	18 x 30	12-1/2" (318)	8-7/8" (226)	12-15/16" (329)	7-11/16" (196)
	18 x 36	12-1/2" (318)	8-7/8" (226)	15-15/16" (405)	10-11/16" (272)
	24 x 36	18-1/2" (470)	13-5/8" (345)	15-15/16" (405)	10-11/16" (272)
	24 x 42	18-1/2" (470)	13-5/8" (345)	18-15/16" (481)	13-11/16" (348)
	24 x 48	18-1/2" (470)	13-5/8" (345)	21-15/16" (557)	16-11/16" (425)
	24 x 60	18-1/2" (470)	13-5/8" (345)	27-15/16" (710)	22-11/16" (577)
	42 x 60	36-1/2" (928)	31-5/8" (803)	27-15/16" (710)	22-11/16" (577)

B If necessary, pre-drill the marked positions using a 9/64" drill bit for the T-screws without plastic anchors. Verify the top of the T-screws are no more than 3/8" off from the wall.

Mounting the Optional LED Shelf

✓ If installing an LED shelf onto a mounted LED mirror, refer to the Removing the LED Mirror section on page 7 to remove the mirror from the wall.

A Slide the shelf onto the shelf bracket, and then secure the shelf to the shelf bracket using 5 set screws (provided)—insert set screws from the bottom.

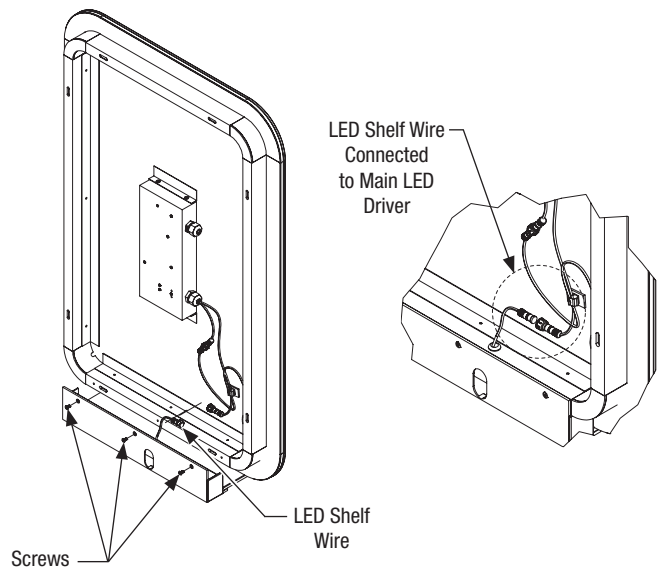


B Carefully place the LED mirror face down onto a protected surface.

C Thread the LED shelf wire through the hole in the bottom of the mirror frame and connect to the main LED driver pigtail by aligning the key features on both connectors.

D Attach the assembled shelf and bracket to the back of the mirror using 3 screws (provided).

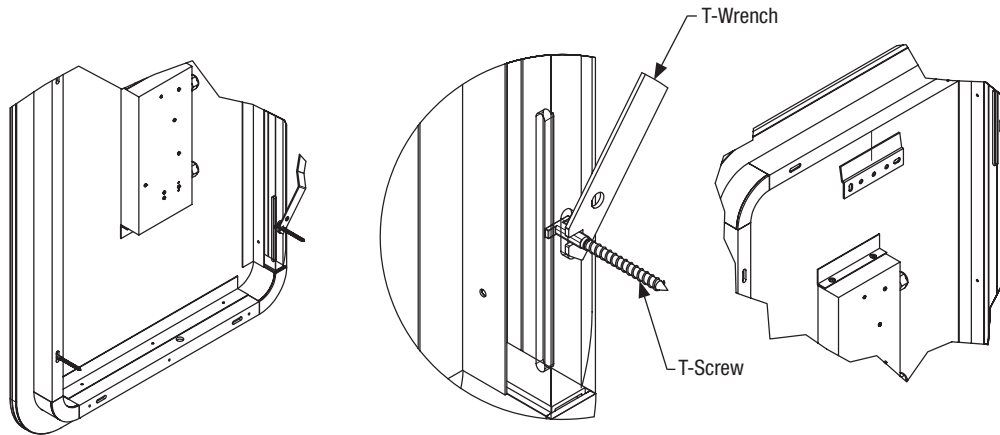
E Snap the left-hand and right-hand end caps into each side of the shelf bracket as shown in illustration above. End caps are marked with an "L" and "R" respectively.



F With the shelf installed and the wiring complete, refer to the Mounting the LED Mirror section on page 5 for mounting instructions.

Removing the LED Mirror

A Line up the T-screw shank with the notch in the T-wrench (provided) and turn the T-screw head until the head is vertical. Repeat this process for both sides of the mirror. Gently swing bottom of mirror away from the wall to disengage from T-screw(s). Then lift the mirror upwards to disengage the mounting bracket on the top.



Cleaning & Maintenance

- When cleaning the mirror or any mirrored surfaces it is recommended to use a soft, dry, non-abrasive cloth with the mirror turned off. Do not use cleaning agents or abrasive materials.
- Do not allow moisture to come in contact with any electrical components.
- When cleaning the mirror shelf use extreme care. The acrylic shelf can be damaged by harsh solvents and cleaners. Use a commercial plastic cleaner or mild soap and water to remove dirt and debris. When applying cleaner, use a non-abrasive, lint-free or microfiber cloth that won't scratch the surface. For tough grease, oil, or tar residue, use commercial grade hexane or kerosene. All solvents need to be wiped clean with fresh water and blotted dry to reduce and prevent water spotting.

When cleaning acrylic shelf, never use ammonia, acetone, carbon tetrachloride, or gasoline as a cleaning solution. These kinds of solvents can cause cracks in acrylic shelf and give the surface a frosted appearance.

Scan or click the QR code below to view the Stainless Steel Washroom Accessories document.

