

Installation and Maintenance Guide

Elvari™ Shelves

7B2 Series

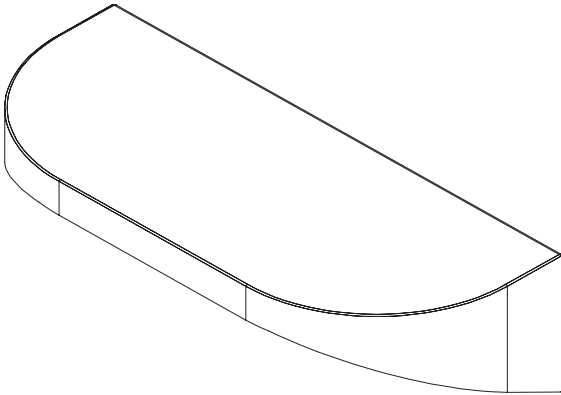


Table of Contents

Safety Information	2
Dimensions.....	2
Installing the Shelf	3
Cleaning and Maintenance.....	3



[Scan or click code to view
Installation Guide \(English\)](#)



[Scan or click code to view
Installation Guide \(French\)](#)



[Scan or click code to view
Installation Guide \(Spanish\)](#)



**Read the instructions in this manual before beginning installation.
Save these instructions and refer to them for operation and maintenance information.**

For questions regarding the operation, installation, or maintenance of this product, visit bradleycorp.com or call 800.BRADLEY (800.272.3539).
Product warranties and parts information may also be found under “Resources” on our website at bradleycorp.com.



Safety Information

WARNING

The shelf assembly is no stronger than the anchors and walls to which it is attached, and therefore, must be firmly secured in order to support the intended load requirements. To avoid potential injury, the building owner or maintenance personnel should remove the shelf assembly from service if the mounting is not adequately secured to the wall or if there are any observed product defects.

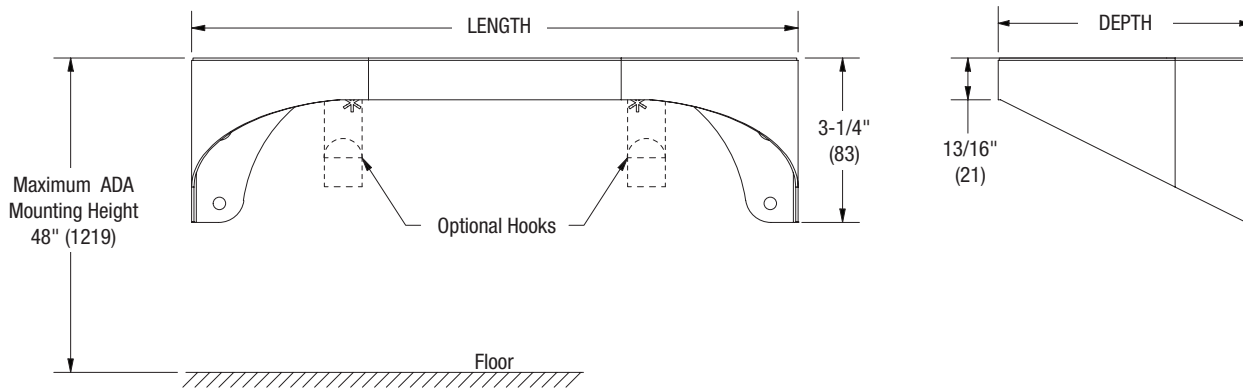
IMPORTANT

Read this entire installation manual to ensure proper installation. When installation is complete, file this manual with the owner or maintenance department. Compliance and conformity to local codes and ordinances is the responsibility of the installer.

Separate parts from packaging and make sure all parts are accounted for before discarding any packaging material. If any parts are missing, do not begin installation until you obtain the missing parts.

Dimensions

(mm)



Standard Model Number	Depth (mm)	Length (mm)	Hooks (qty. 2)
7B2-0051200	5" (127)	12" (305)	No
7B2-0051800	5" (127)	18" (457)	No
7B2-0052400	5" (127)	24" (610)	No
7B2-0081200	8" (203)	12" (305)	No
7B2-0081800	8" (203)	18" (457)	No
7B2-0082400	8" (203)	24" (610)	No
7B2-0051296	5" (127)	12" (305)	Yes
7B2-0051896	5" (127)	18" (457)	Yes
7B2-0052496	5" (127)	24" (610)	Yes
7B2-0081296	8" (203)	12" (305)	Yes
7B2-0081896	8" (203)	18" (457)	Yes
7B2-0082496	8" (203)	24" (610)	Yes

Installing the Shelf



Verify all rough-in dimensions prior to installation.

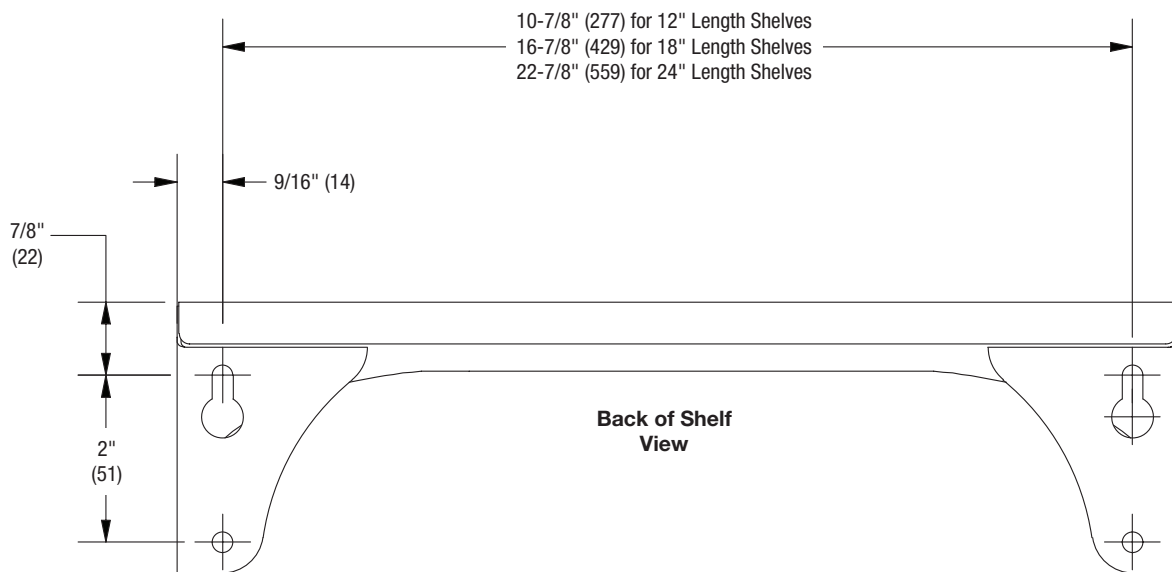
⚠ WARNING Wall must be reinforced in the area of the shelf in order to support the intended load. Shelf is rated to 50 lb maximum load.

A Drill the mounting holes and set the anchors (if applicable) per the illustration below.

B Insert two #10 x 1" Phillips head screws into top mounting holes. Be sure to leave a small gap between the screw heads and the mounting surface.

C Using the top keyhole slots on the shelf, slide the shelf down onto the top screws and then fully tighten the screws.

D Insert two #10 x 1" Phillips head screws through the bottom holes in the shelf into the mounting surface, and then fully tighten.



Cleaning and Maintenance

Scan or click the QR code below to view the Stainless Steel Washroom Accessories document.

