



# LVRD3

## Verge® Wash Basin – LVR-Series

- ADA and TAS compliant
- Serves one to three users at a time
- Standard lavatory spacing on 30" centers
- Elongated basin is constructed of Evero® natural quartz surface
- Available in a variety of colors
- Compatible with Verge™ deck-mounted soap dispensers and faucets

### Specifications

Accommodates one to three users. The units handle washroom traffic quickly and economically, while providing each user with personal space. The Verge® Wash Basin is designed with standard lavatory spacing positioned on 30" centers.

### Construction

#### Basin

Evero Geo Series is a natural quartz surface made from a blend of bio-based resin, natural quartz, granite, and other exotic minerals. It is made of 25% recycled content. Evero Pearl Series is a natural quartz surface made with bio-based resin, sea shells, recycled glass, and natural quartz. It is made of 70% recycled content.

Variations in the natural stone color, pattern, size, shape, and shade are inherent. Due to these unique characteristics, please expect subtle shade variations when units are installed adjacent to each other.

#### Access Panel

Panel is composed of decorative 300 series stainless steel.

#### Support Frame

Basin assembly and access panel are secured to a heavy-gauge stainless steel support frame mounted to wall.

#### Vandal Resistance

Water supplies, valves, waste assembly and other optional items are concealed within the access panel/frame.

#### Faucet Options

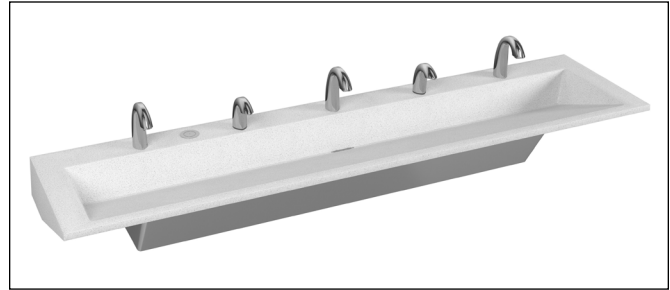
Choose from our 0.35 gpm (1.30 Lpm) or 0.50 gpm (1.90 Lpm) Verge Faucet – Crestt, Metro, Linea, and Zen Series. 4" Centerset and Centershank faucet hole drillings are available for faucets by others.

#### Soap Dispensers

Choose from our Verge Deck-Mounted Soap Dispensers – Crestt, Metro, Linea, or Zen Series. Soap drillings available for soap by others.

### Accessibility

Accessibility Code	Rim Height (maximum)	Notes
ADA	33½" (851)	At least one basin must meet dimensional requirements and have proper reach, knee, and toe clearance.
ADA/JUV Juvenile ADA	30½" (775)	At least one basin must meet dimensional requirements and have proper reach, knee, and toe clearance.



### Product Compliance

#### Listed by IAPMO R&T to

- Uniform Plumbing Code (UPC)
- National Plumbing Code of Canada
- International Plumbing Code (IPC)
- IGC 156 and the requirements of CSA B45.5/IAPMO Z124 and ASME A112.18.1/CSA B125.1



#### Listed by UL Environment to

- GreenGuard Gold



#### Complies with

- ADA
- ICC/ANSI 117.1
- TAS
- NSF/ANSI 372



Serves the American Disabilities Act and ICC/ANSI 117.1 guidelines, citations 306, 308, 309.4, 606.4, 606.5 when installed according to these requirements. Consult local codes and standards.

This plumbing fixture is designed for hand washing only. It is not intended to dispense water for human consumption through drinking or for preparation of food or beverages.

For more information on Evero Natural Quartz Surface, faucets, valves, transformers, and the sensor-operated soap dispenser, please visit [bradleycorp.com](http://bradleycorp.com).

Protected by one or more of the following U.S. Patents: D629-877 S; D640,778 S; and D649,232 S.



# LVRD3

## Verge® Wash Basin – LVR-Series

<b>Models (Must select one)</b>	
<b>Model</b>	<b>Description</b>
LVRD3	Verge Wash Basin – LVR-Series, Three-Station
<b>Standard Selections (Must select one from each category)</b>	
<b>Faucet Type (select one)</b>	
<a href="#">S53-3100</a>	Verge Faucet – Crestt Series
<a href="#">S53-3300</a>	Verge Faucet – Metro Series
<a href="#">S53-3500</a>	Verge Faucet – Linea Series
<a href="#">S53-3700</a>	Verge Faucet – Zen Series
<b>4" Set</b>	4" Centerset (1¼" Drilling Only)
<b>SHANK</b>	Centershank (1¼" Drilling Only)
<b>Faucet Activation Type (select one)</b>	
<b>R</b>	Touch-Free Activation ◊
<b>NONE</b>	No Activation ▲
<b>Water Supply Type (select one)</b>	
<b>T</b>	Thermostatic Mixing Assembly (supply hoses and shut-offs included)
<b>L</b>	Single Tempered Line Assembly (supply hoses and shut-offs included)
<b>Flow Control Type △ (select one)</b>	
<b>3</b>	0.35 gpm (1.30 Lpm) Silicone Tip, Multiple Individual Laminar Flow Streams
<b>5</b>	0.50 gpm (1.90 Lpm) Silicone Tip, Multiple Individual Laminar Flow Streams
<b>Faucet Finish Type △ (select one)</b>	
<b>PC</b>	Polished Chrome
<b>BB</b>	Brushed Black Stainless
<b>BS</b>	Brushed Stainless
<b>BZ</b>	Brushed Bronze
<b>BR</b>	Brushed Brass
<b>BN</b>	Brushed Nickel
<i>Grid strainer will always have a stainless steel finish.</i>	
<b>Faucet Power Supply (select one)</b>	
<b>AC</b>	AC Power △ **
<b>BA</b>	Battery △ – 4x AA alkaline batteries included per faucet
<b>NONE</b>	No Power Supply ▲
<b>Soap Dispenser Type (select one)</b>	
<a href="#">6-3100</a>	Verge Deck-Mounted Soap Dispenser – Crestt Series △
<a href="#">6-3300</a>	Verge Deck-Mounted Soap Dispenser – Metro Series △
<a href="#">6-3500</a>	Verge Deck-Mounted Soap Dispenser – Linea Series △
<a href="#">6-3700</a>	Verge Deck-Mounted Soap Dispenser – Zen Series △
<b>SDO</b>	1-3/8" Soap Drilling Only
<b>NSD</b>	No Soap Dispenser/No Drilling
<b>Soap Activation Type (select one)</b>	
<b>R</b>	Touch-Free Activation ◊
<b>NONE</b>	No Activation ◆

<b>Soap Type ◊ (select one)</b>					
<b>F</b>	Foam Soap				
<b>L</b>	Liquid Soap				
<b>Soap Fill System ◊ (select one)</b>					
<b>T</b>	Single (top fill at spout)				
<b>M</b>	Multi-Feed (shared tank, includes <a href="#">6-SOAP-MFT Multi-Feed Soap Tank Assembly</a> )				
<b>Soap Dispenser Finish Type ◊ (select one)</b>					
<b>PC</b>	Polished Chrome				
<b>BB</b>	Brushed Black Stainless				
<b>BS</b>	Brushed Stainless				
<b>BZ</b>	Brushed Bronze				
<b>BR</b>	Brushed Brass				
<b>BN</b>	Brushed Nickel				
<b>Soap Power Supply (select one)</b>					
<b>AC</b>	AC Power ◊ **				
<b>BA</b>	Battery ◊ – 4x D-cell batteries included per dispenser				
<b>NONE</b>	No Power Supply ◆				
<b>Color of Evero® Bowl (select one)</b>					
<i>Geo Series</i>					
<b>ANDORRA</b>	Andorra	<b>GLACIER</b>	Glacier Bay	<b>RAINIER</b>	Rainier
<b>ANTARCTICA</b>	Antarctica	<b>KALAHARI</b>	Kalahari	<b>SIENA</b>	Siena
<b>ARUBA</b>	Aruba	<b>MOJAVE</b>	Mojave	<b>SIERRA</b>	Sierra Madre
<b>BLACK-SEA</b>	Black Sea	<b>MYKONOS</b>	Mykonos	<b>YUKON</b>	Yukon
<b>DENALI</b>	Denali	<b>PATAGONIA</b>	Patagonia		
<i>Pearl Series (available at an additional charge) (Non-cancelable, non-returnable)</i>					
<b>AKOYA</b>	Akoya	<b>BLACK-MOON</b>	Black Moon		
<b>Access Panel Type (select one)</b>					
<b>STAIN</b> Stainless Steel					
<b>Waste Assembly Type (select one)</b>					
<b>S-POLY</b> Single Polypropylene P-Trap					
<b>S-CHROME</b> Single Chrome-Plated P-Trap					

\*\* AC power supply will include either individual AC plug-in adapter or 4-way AC splitter assembly depending on configuration.

△ Available with faucet selection only.

▲ Available with faucet drilling only.

◊ Available with soap dispenser selection only.

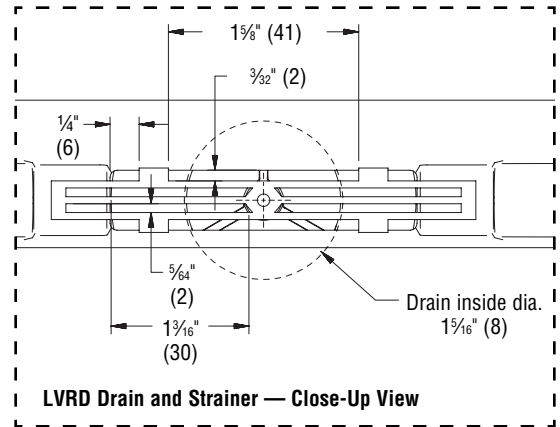
◆ Available with soap dispenser drilling only.



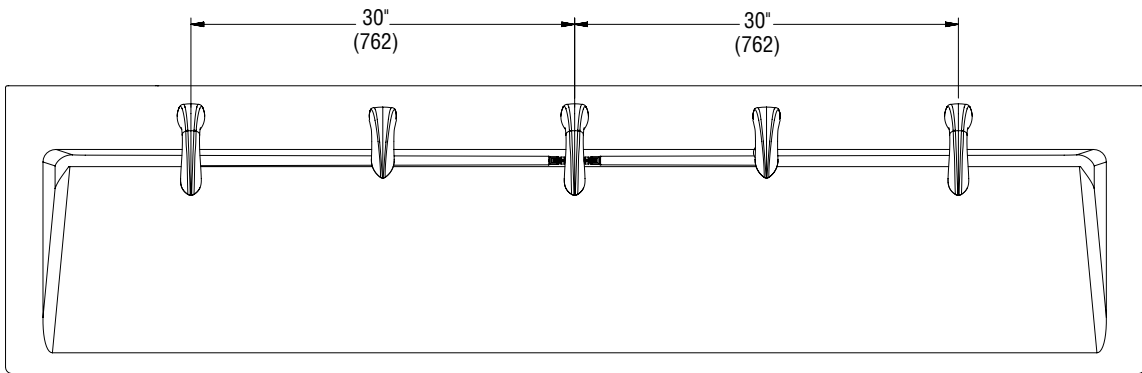
# LVRD3 Verge® Wash Basin – LVR-Series

## Dimensions for LVRD3 Verge Wash Basin

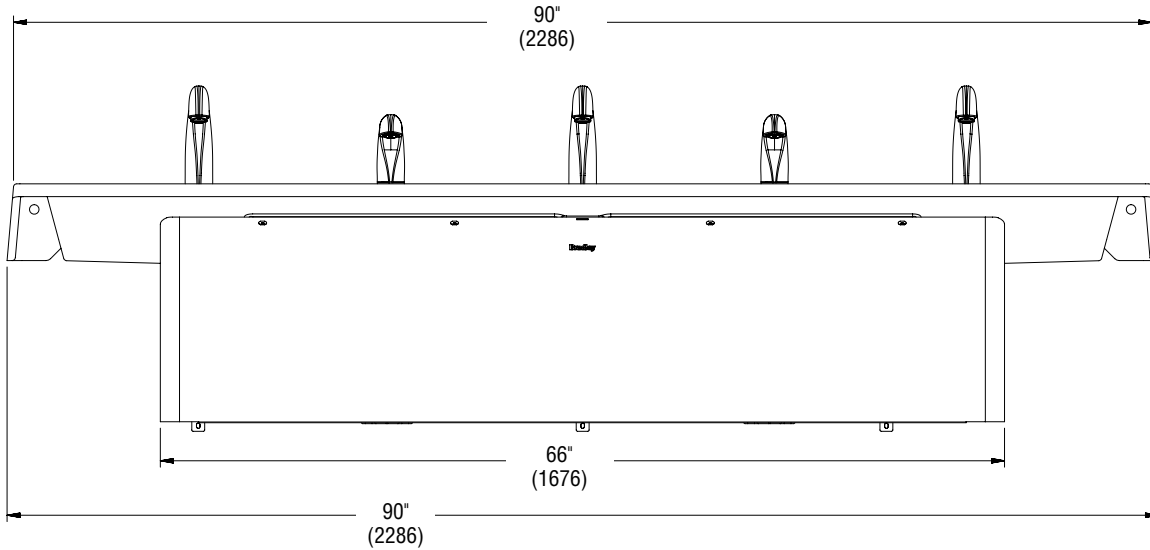
(mm)



### Top View



### Front View

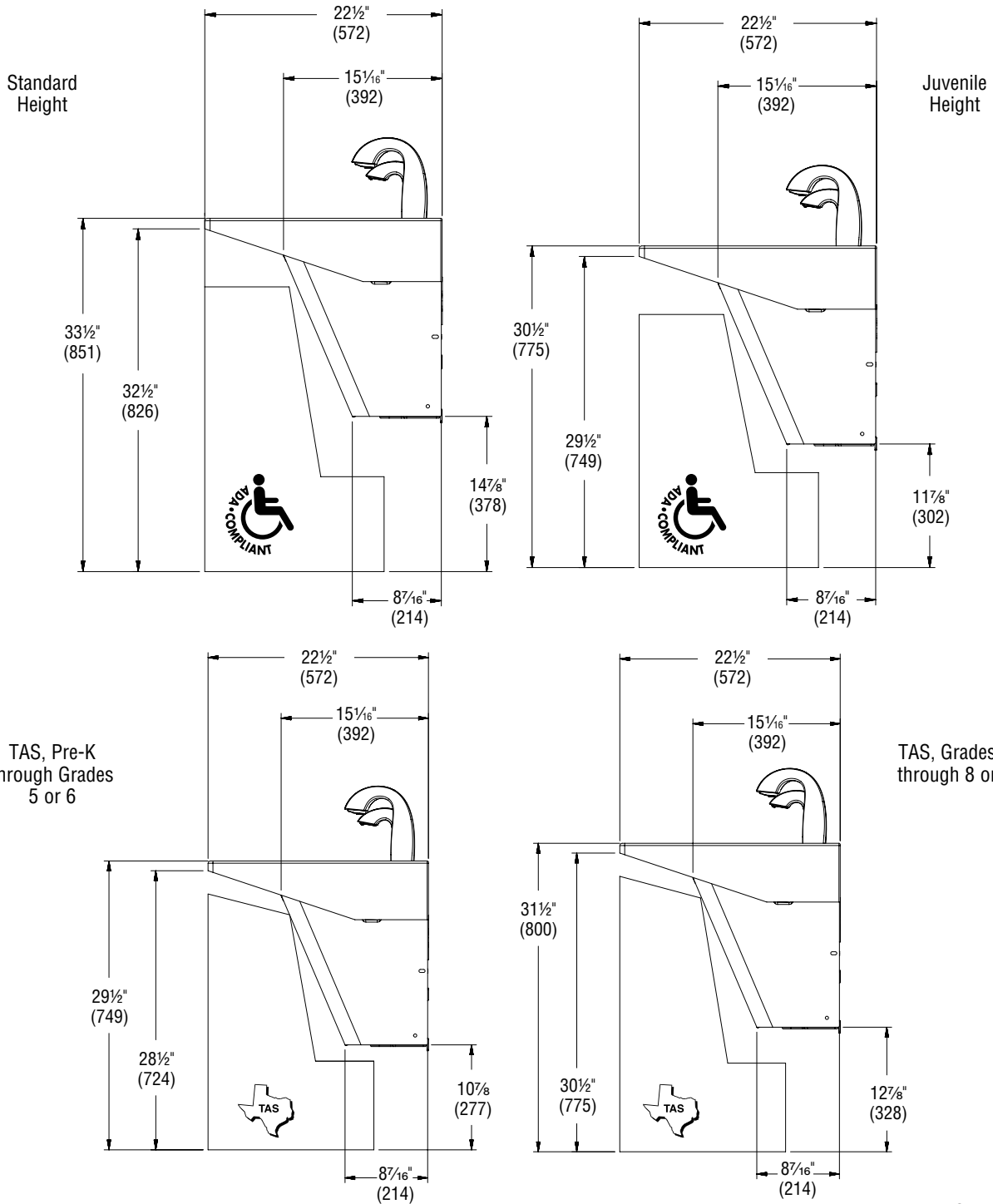




# LVRD3 Verge® Wash Basin – LVR-Series

## Dimensions for LVRD3 Verge Wash Basin

(mm)





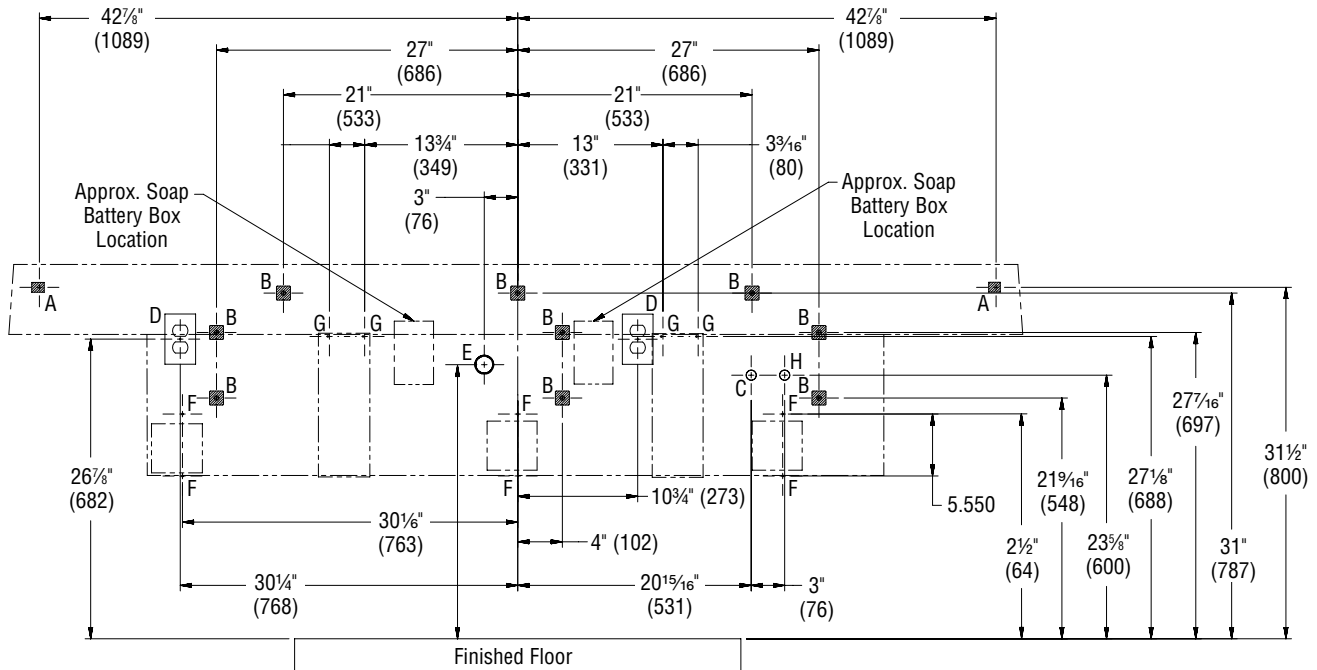
# LVRD3 Verge® Wash Basin – LVR-Series

## Rough-Ins for LVRD3 Verge Wash Basin

(mm)

Standard rough-in shown.

Areas marked with a crosshatch require sufficient backing compliant with local building codes.



CODE	DESCRIPTION	QTY.
A	3/8" Lav Deck Bowl Anchors with a Minimum Pull-Out Force of 1,000 lb (reinforce walls at anchor points)	2
B	3/8" Lav Deck Frame Anchors with a Minimum Pull-Out Force of 1,000 lb (reinforce walls at anchor points)	9
H, C	1/2" Hot/Cold Supplies, Stub-Out 2" From Wall	1
D	110V GFI Protected Electrical Outlet (AC faucet and soap only)	3
E	1 1/2" NPT Drain, Stub-Out 2" from Wall	1
F	#10 Anchors for Faucet Control Box Installation	6
G	#10 Anchors for Soap Tank Installation	4

RIM HEIGHT	VERTICAL HEIGHT ADJUSTMENTS FOR CODES A-E and H	FIXTURE STYLE
33 1/2"	None	Standard Height
31 1/2"	Subtract 2"	TAS, Grades 6 through 8 or 9
29 1/2"	Subtract 4"	TAS, Pre-K through Grades 5 or 6
30 1/2"	Subtract 3"	Juvenile Height