

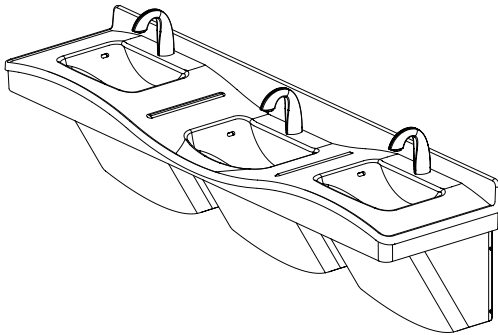
Installation and Maintenance Guide

FL-3H, FL-3L

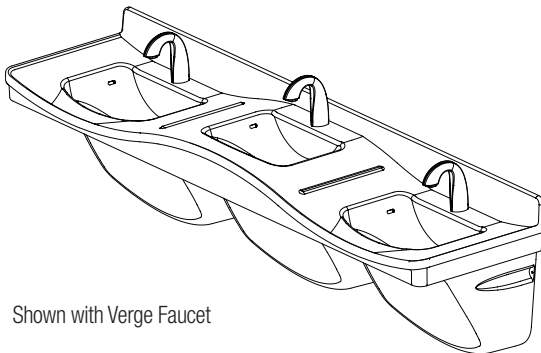
Frequency® Lavatory System

U.S. Pat. No. Des. 477,060
507,634
527,809
537,927
7,039,963

FL-3H



FL-3L



Shown with Verge Faucet

Table of Contents

Pre-Installation Information.....	2
Components.....	3
Dimensions.....	4-5
Rough-ins for FL-3H.....	6
Rough-ins for FL-3L.....	7
Lavatory Deck Mounting.....	8
Drain and P-Traps.....	9
Faucet Battery Box.....	10
Adjust the Temperature.....	11
End Outlet and Continuous Waste.....	11
Optional Trap/Transition Covers.....	12
Cleaning and Maintenance Instructions.....	13
Installation Diagram.....	14



[Scan or click code to view
Installation Guide \(English\)](#)



[Scan or click code to view
Installation Guide \(French\)](#)



[Scan or click code to view
Installation Guide \(Spanish\)](#)



Read the instructions in this manual before beginning installation. Save these instructions and refer to them for inspection, maintenance and troubleshooting information.

For questions regarding the operation, installation or maintenance of this product, visit bradleycorp.com or call 800.BRADLEY (800.272.3539).

Product warranties and parts information may also be found under "Resources" on our website at bradleycorp.com/customerservice/warranty.



WARNING

Make sure that all water supply lines have been flushed and then completely turned off before beginning installation. Debris in supply lines can cause valves to malfunction.

Turn OFF electrical power to the electrical outlets, then unplug all electrical units prior to installation. Electrical power **MUST** remain off until installation is complete.

Installer's hardware must be appropriate for wall construction. Wall anchors must have a minimum pull-out rating of 1,000 pounds.

IMPORTANT

Compliance and conformity to local codes and ordinances is the responsibility of the installer.

Separate parts from packaging and make sure all parts are accounted for before discarding any packaging material. If any parts are missing, do not begin installation until you obtain the missing parts.

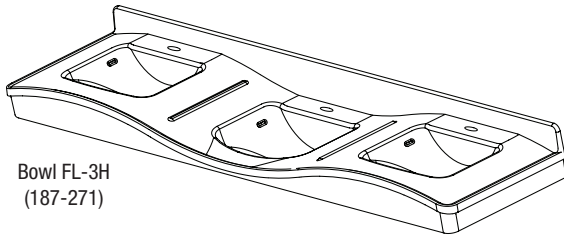
For standard height mounting, do not exceed the recommended 33.5" distance from the fixture rim to the finished floor.

Troubleshooting and internal maintenance must be performed by qualified service personnel.

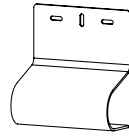
Supplies Required:

- (8) 3/8" wall anchors, bolts and 1" min. O.D. washers to mount main frame and bowl to wall (minimum pull-out rating of 1,000 lb)
- (2) #10 wall anchors (for optional mixing valve/bracket mounting)
- 1/2" nominal copper tubing for hot/cold or tempered supply piping
- 1-1/2" NPT drain piping
- OPTIONAL: 110V GFCI protected electrical outlet for 100–120V AC plug-in transformer (for Bradley Faucets)
- Tape Measure
- Hammer
- Level
- Socket wrench/sockets
- Adjustable wrench
- Phillips head screwdriver
- Cordless drill
- Drill bits
- Tube cutter
- Pencil

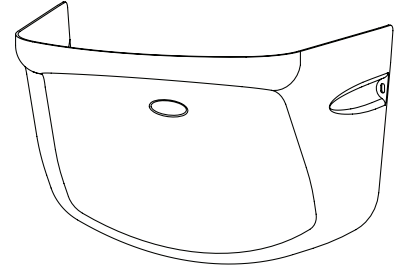
Components



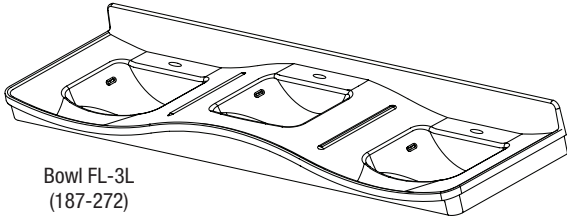
Bowl FL-3H
(187-271)



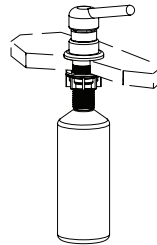
Transition Cover
(186-1459B - Coal)



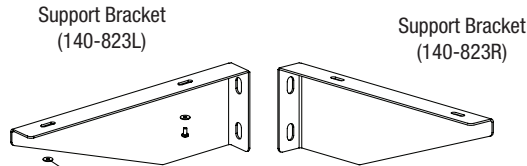
Prepack Trap Cover FL-3
(S45-2110B - Coal)



Bowl FL-3L
(187-272)



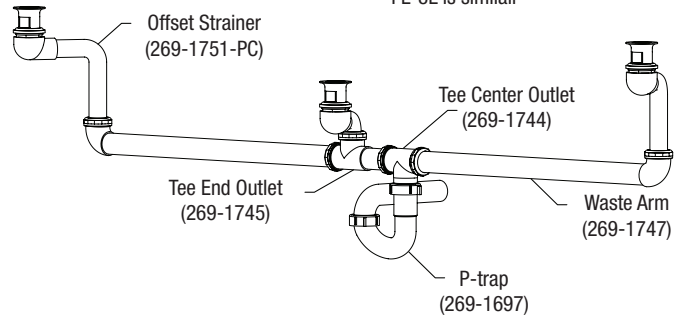
Soap Dispenser Model
6334



Support Bracket
(140-823L)

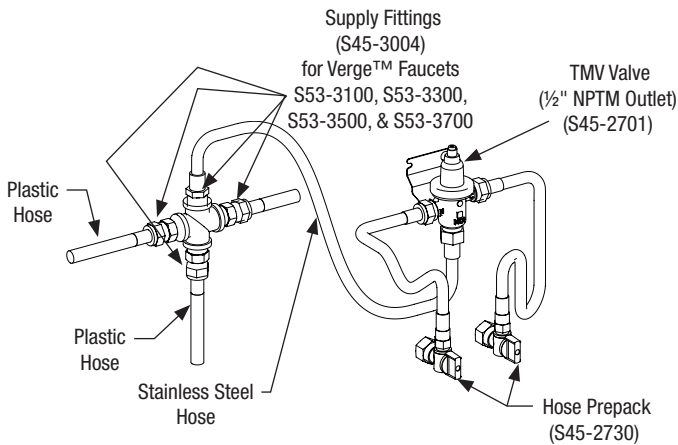
Support Bracket
(140-823R)

#10 Washer
(142-002AT)
#10-24 Screw
(P18-054)

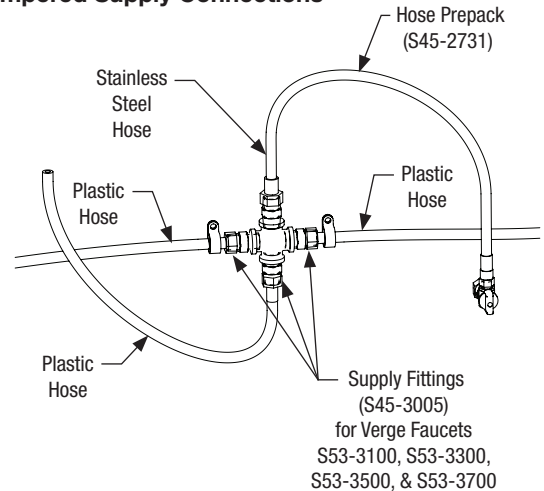


Standard Waste Assembly
FL-3H is shown
FL-3L is similar

TMV Supply Connections



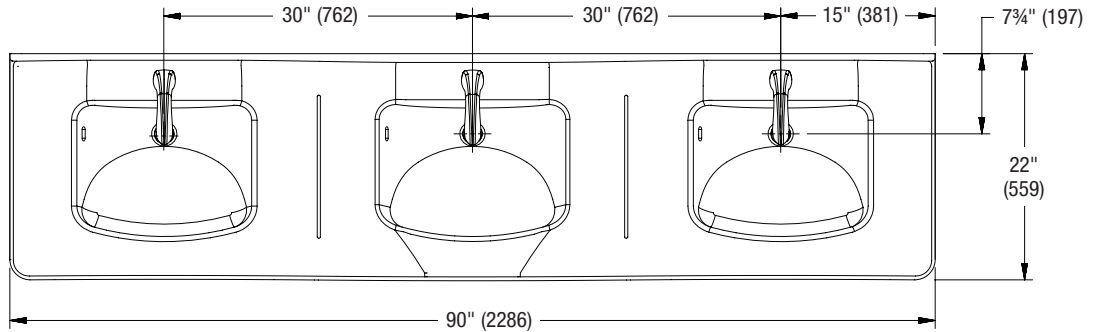
Tempered Supply Connections



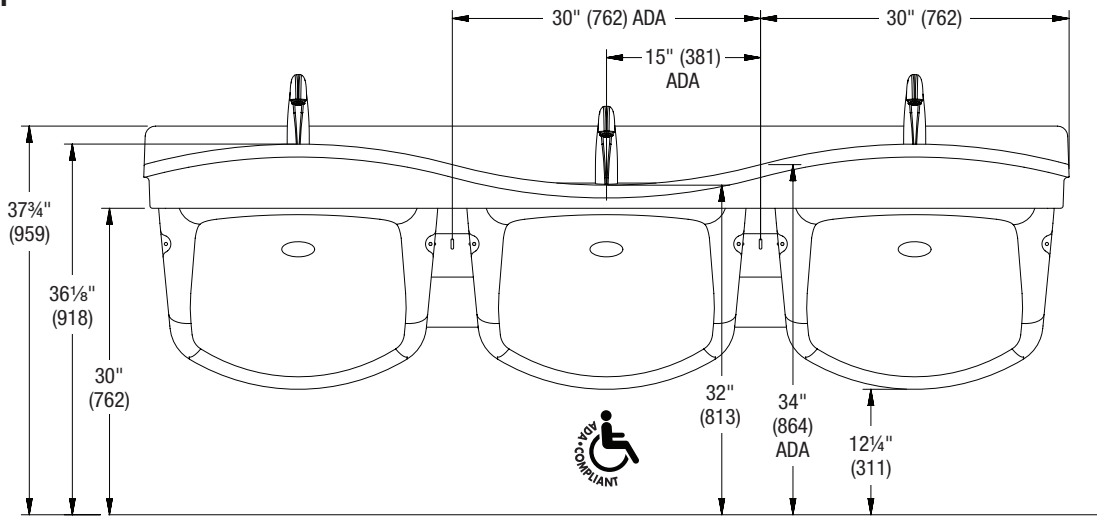
Dimensions - Front and Top Views

(mm)

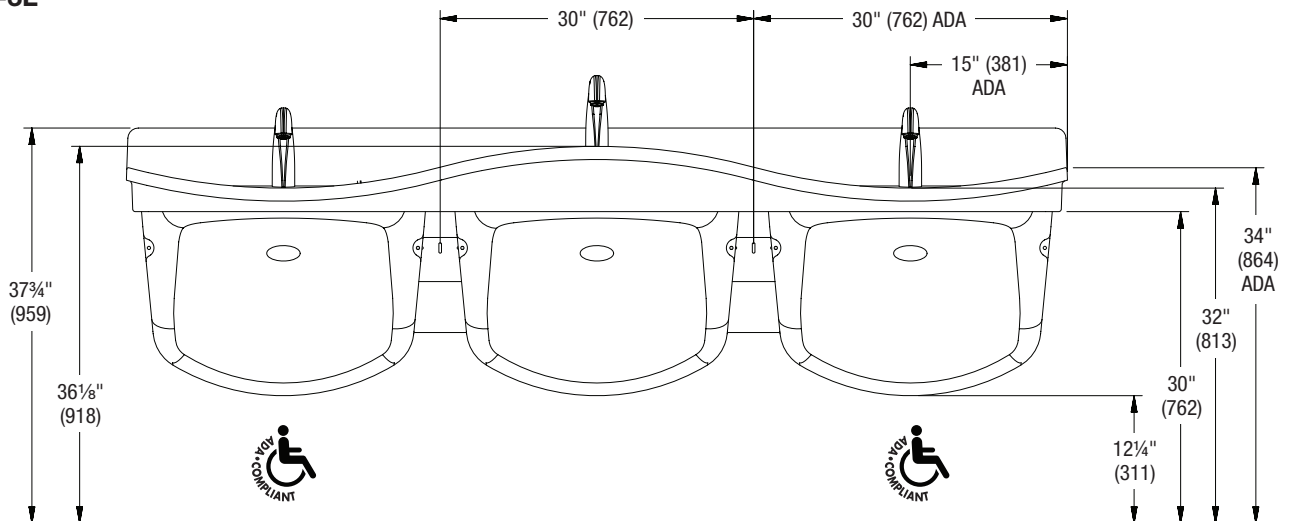
FL-3H is shown
FL-3L is similar



FL-3H

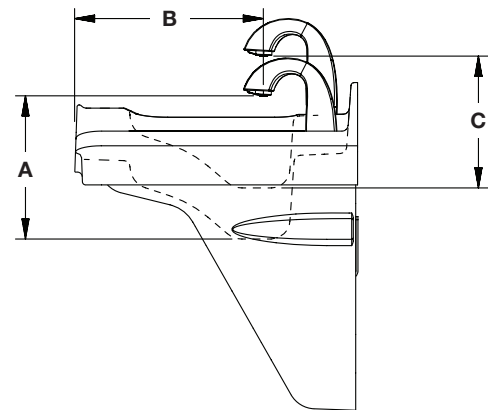
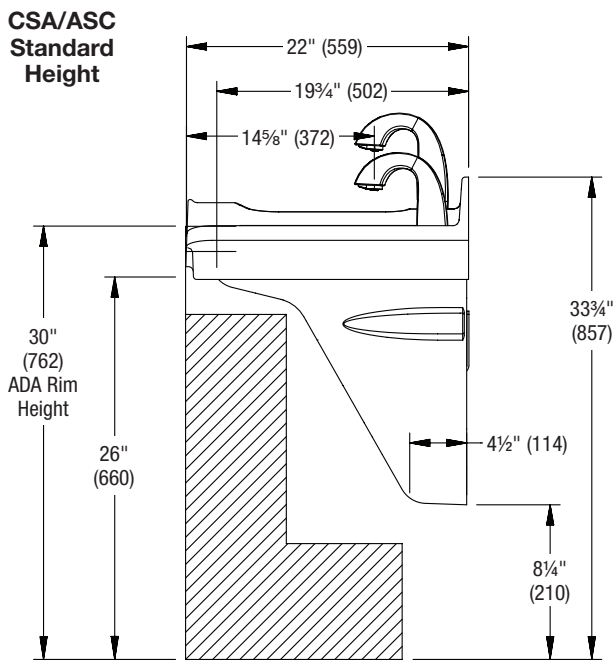
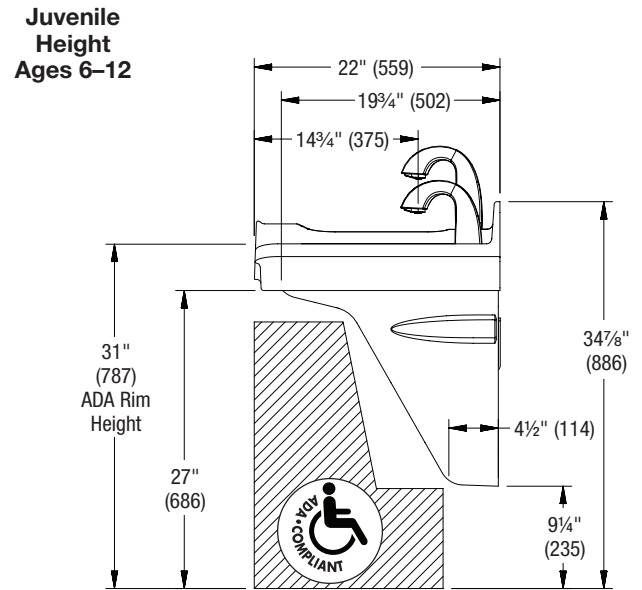
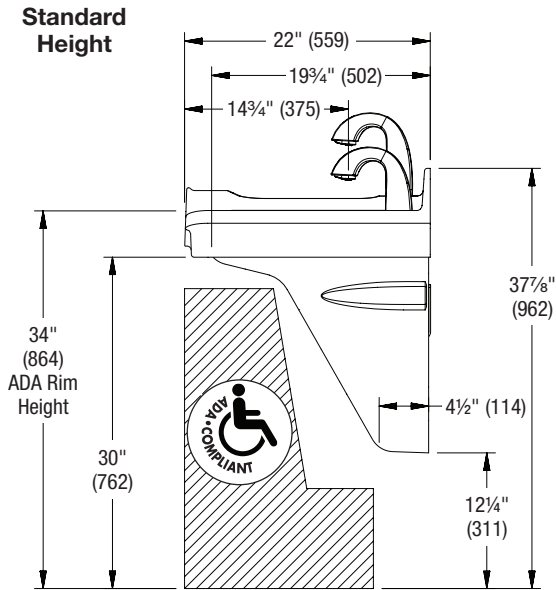


FL-3L



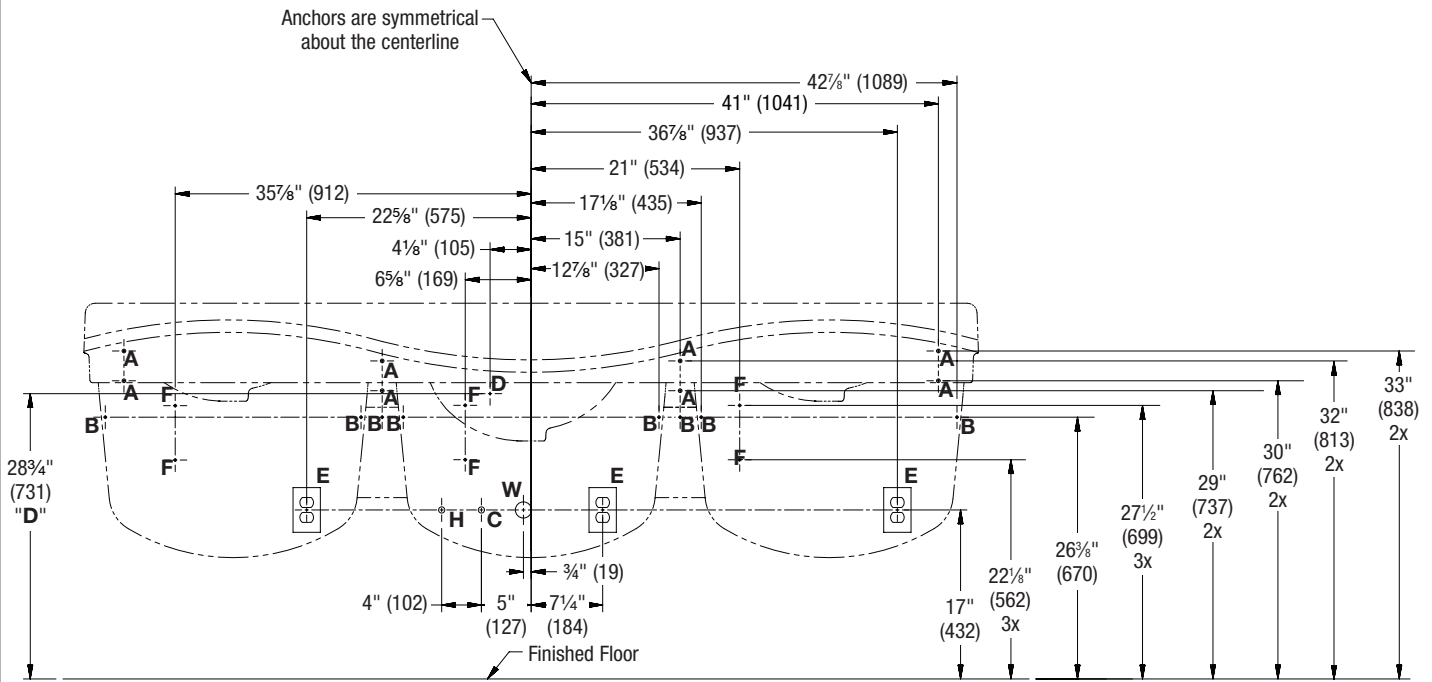
Dimensions - Side Views

(mm)



	METRO	LINEA	CRESTT	ZEN
A	10" (254)	10 ³ / ₈ " (264)	11 ¹ / ₄ " (286)	10 ⁵ / ₈ " (270)
B	14 ³ / ₈ " (365)	14 ⁵ / ₈ " (372)	14 ³ / ₄ " (375)	14 ⁷ / ₈ " (378)
C	9 ¹ / ₈ " (232)	9 ¹ / ₂ " (241)	10 ¹ / ₄ " (261)	9 ⁵ / ₈ " (245)

1a Rough-Ins for FL-3H (mm)

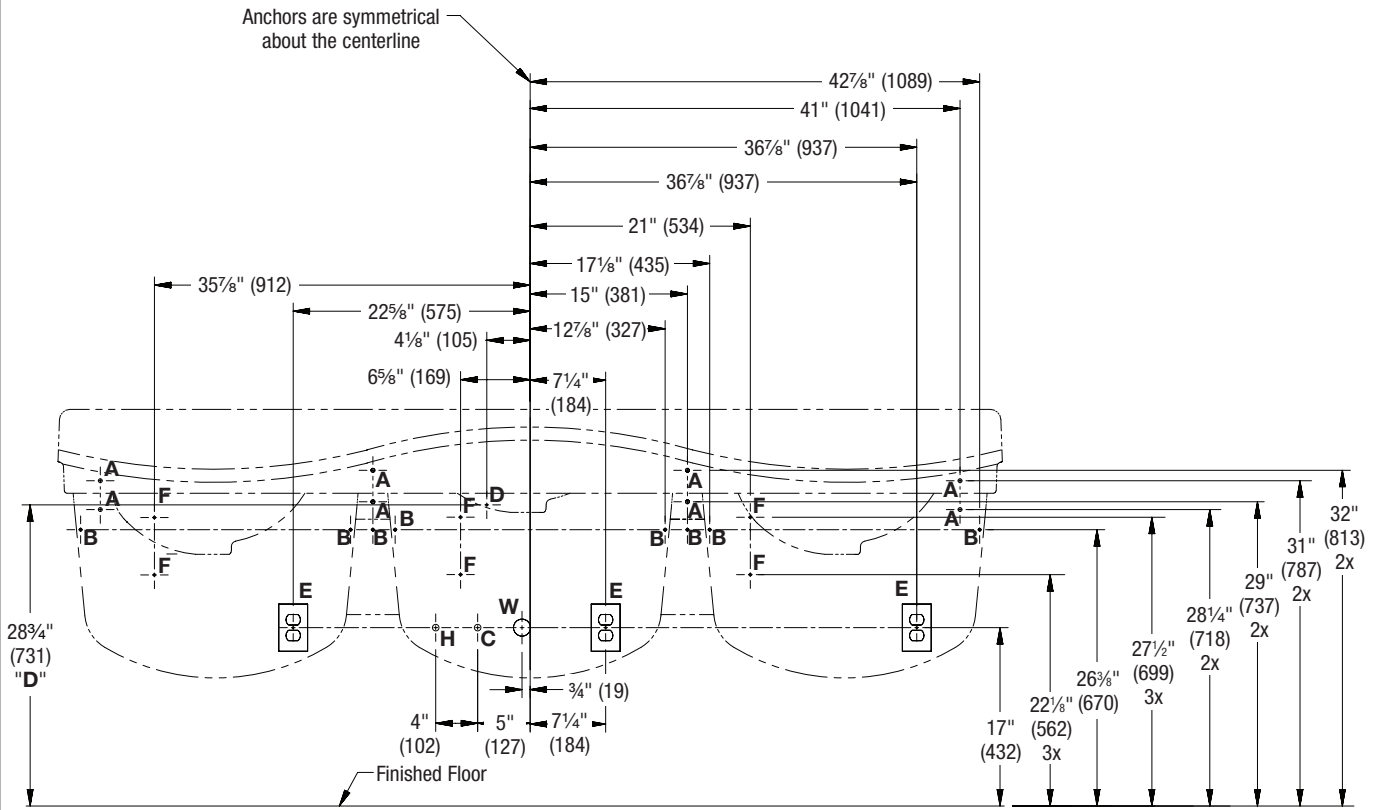


CODE	DESCRIPTION	QTY.
A	3/8" Lav Deck Anchors with a Minimum Pull-Out Force of 1,000 lbs.	8
B	#10 Wall Anchors/Fasteners for Mounting Trap/Transition Covers	8
H, C	1/2" Nominal Copper Tubing for Hot/Cold Supplies, Stub-Out 2" From Wall	1
D	#10 Wall Anchors/Fasteners for Valve Mounting	2
E	110v GFI Protected Electrical Outlet	3
F	Verge Valve Box Mounting Holes	6
W	1 1/2" Npt Drain, Stub Out 2" From Wall (for combined drain) <i>NOTE: For individual drains, refer to page 9.</i>	1

OUTSIDE EDGE RIM HEIGHT (LOWER STATION)	VERTICAL HEIGHT ADJUSTMENTS FOR CODES A-E, H, C AND W	FIXTURE STYLE
34"	0	Standard Height
30"	Subtract 4"	Juvenile Height

1b Rough-Ins for FL-3L

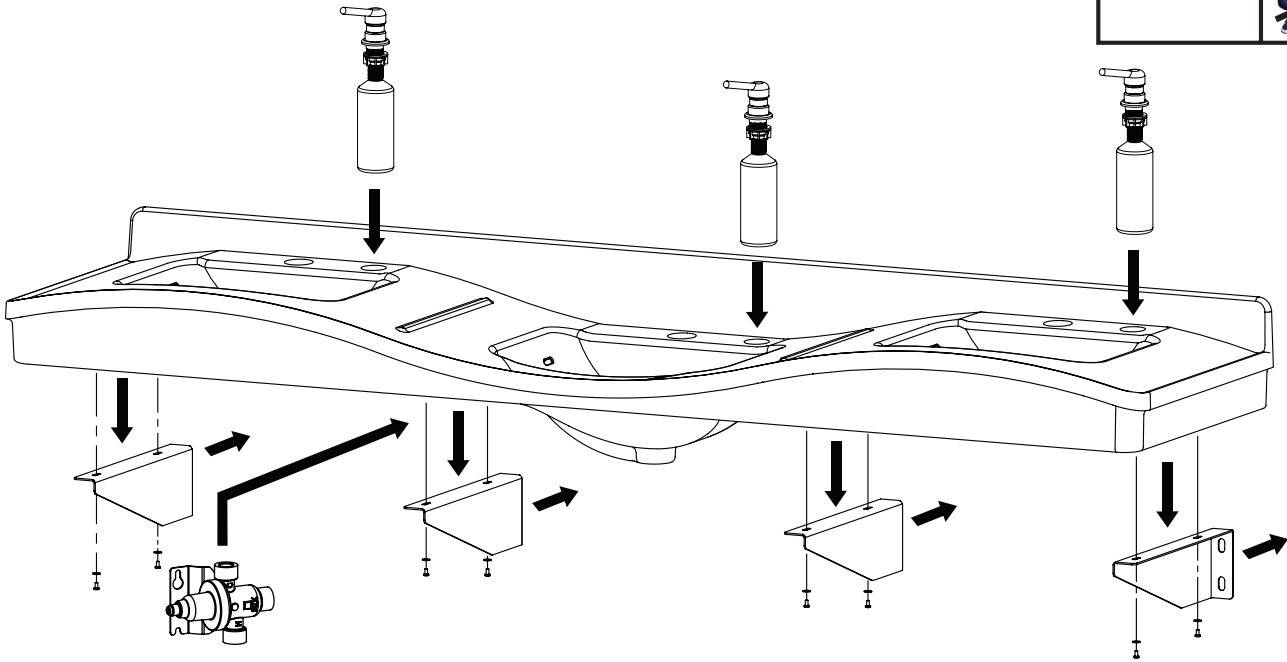
(mm)



CODE	DESCRIPTION	QTY.
A	3/8" Lav Deck Anchors with a Minimum Pull-Out Force of 1,000 lbs.	8
B	#10 Wall Anchors/Fasteners for Mounting Trap/Transition Covers	8
H, C	1/2" Nominal Copper Tubing for Hot/Cold Supplies, Stub-Out 2" From Wall	1
D	#10 Wall Anchors/Fasteners for Valve Mounting	2
E	110v GFI Protected Electrical Outlet	3
F	Verge Valve Box Mounting Holes	6
W	1 1/2" Npt Drain, Stub Out 2" From Wall (for combined drain) <i>NOTE: For individual drains, refer to page 9.</i>	1

OUTSIDE EDGE RIM HEIGHT (LOWER STATION)	VERTICAL HEIGHT ADJUSTMENTS FOR CODES A-E, H, C AND W	FIXTURE STYLE
34"	0	Standard Height
30"	Subtract 4"	Juvenile Height

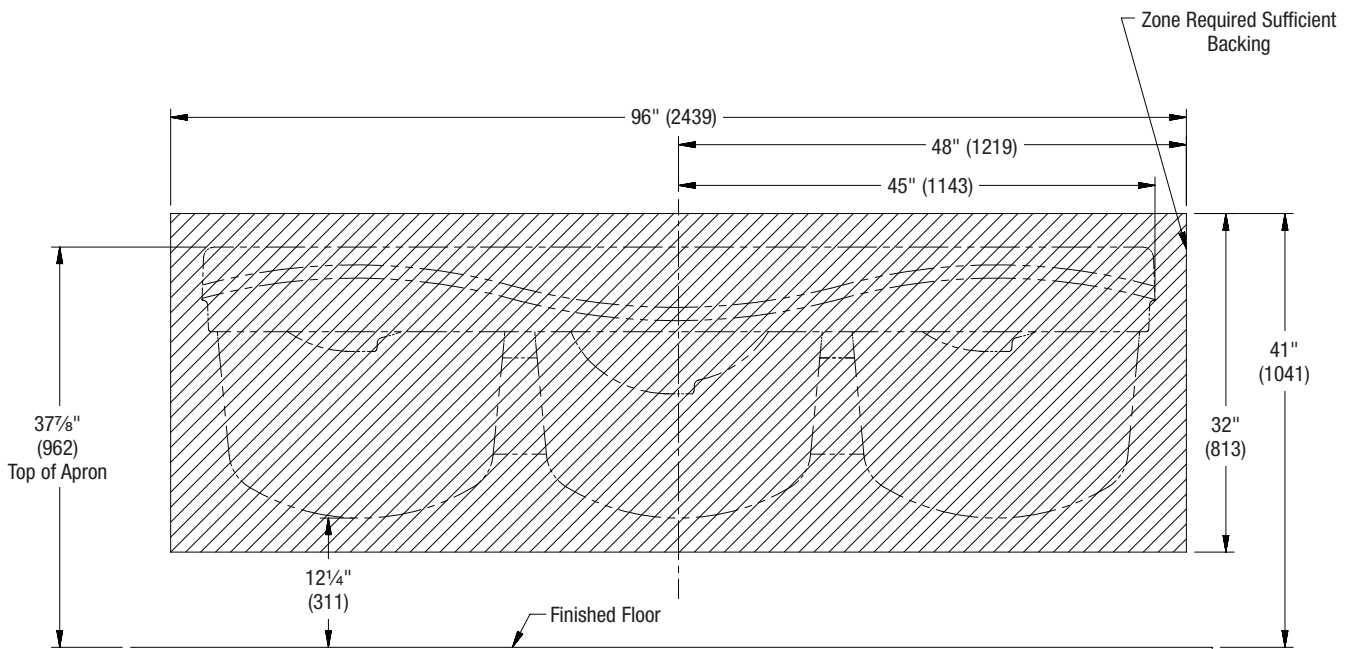
2 Lavatory Deck



- Refer to the rough-ins to determine wall mounting location for optional mixing valve.
- Installer may prefer to install the faucet before mounting the fixture to the wall. Refer to page 8 for faucet installation details.
- If necessary, adjust the fixture height before securing to the support brackets.

Backing Information

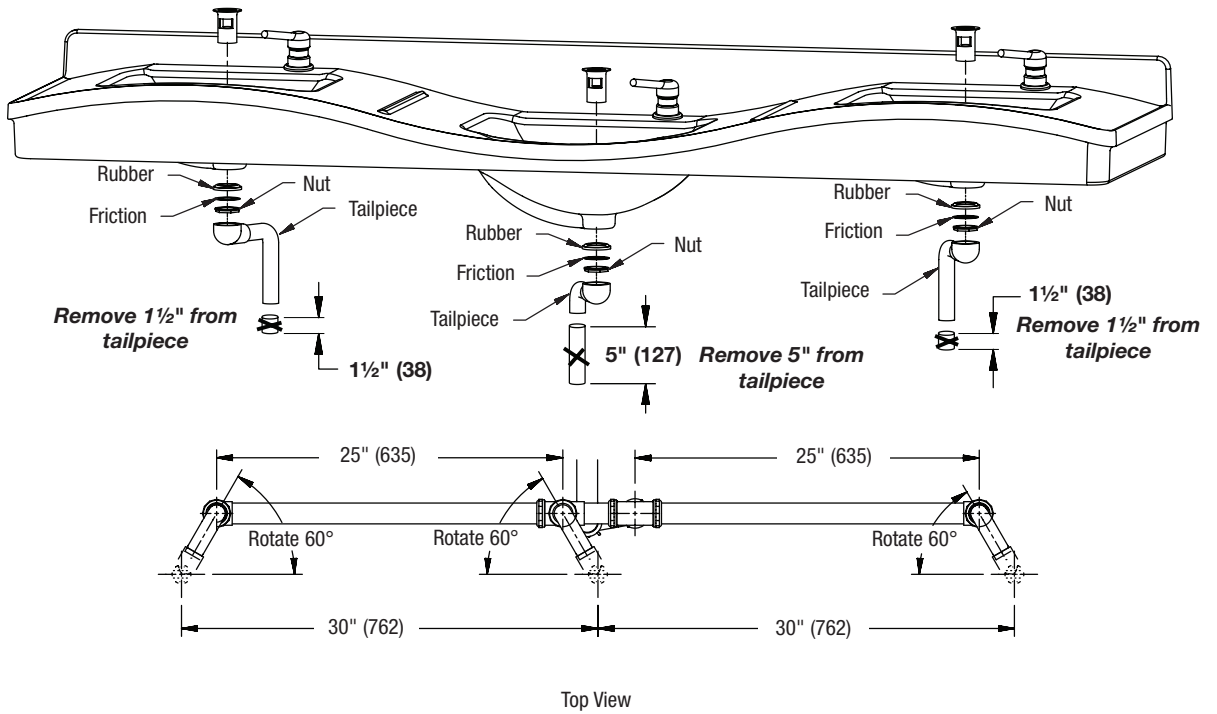
(mm)



3a Drain and P-Trap

(mm)

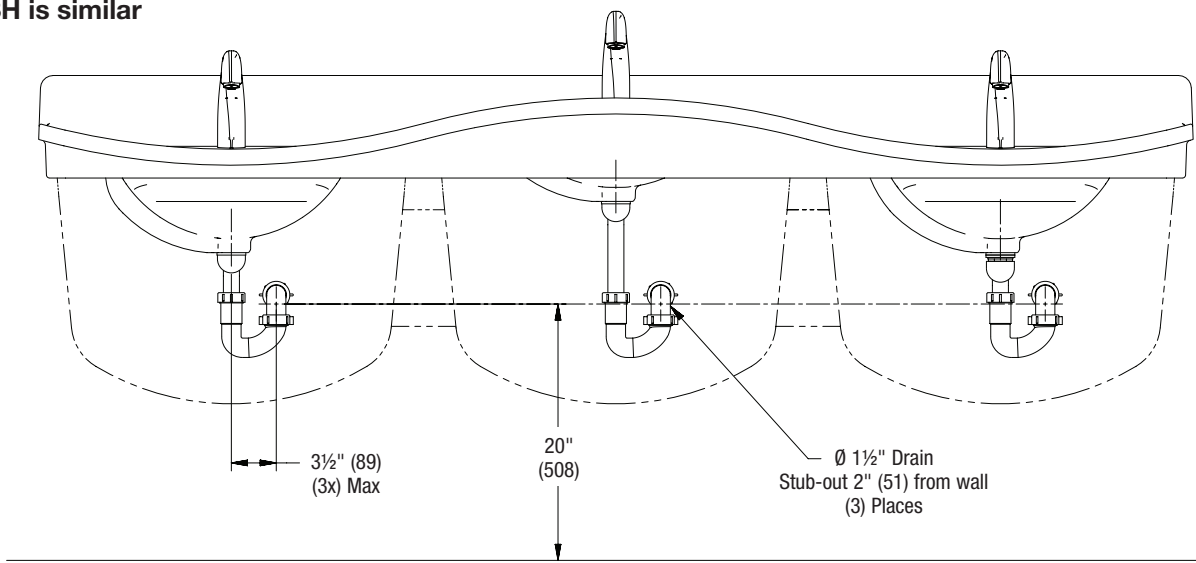
FL-3L is shown
FL-3H is opposite



3b Individual P-Traps

- FL-3L: Remove 4" from left and right side tailpieces.
- FL-3H: Remove 4" from center tailpiece.

FL-3L is shown
FL-3H is similar

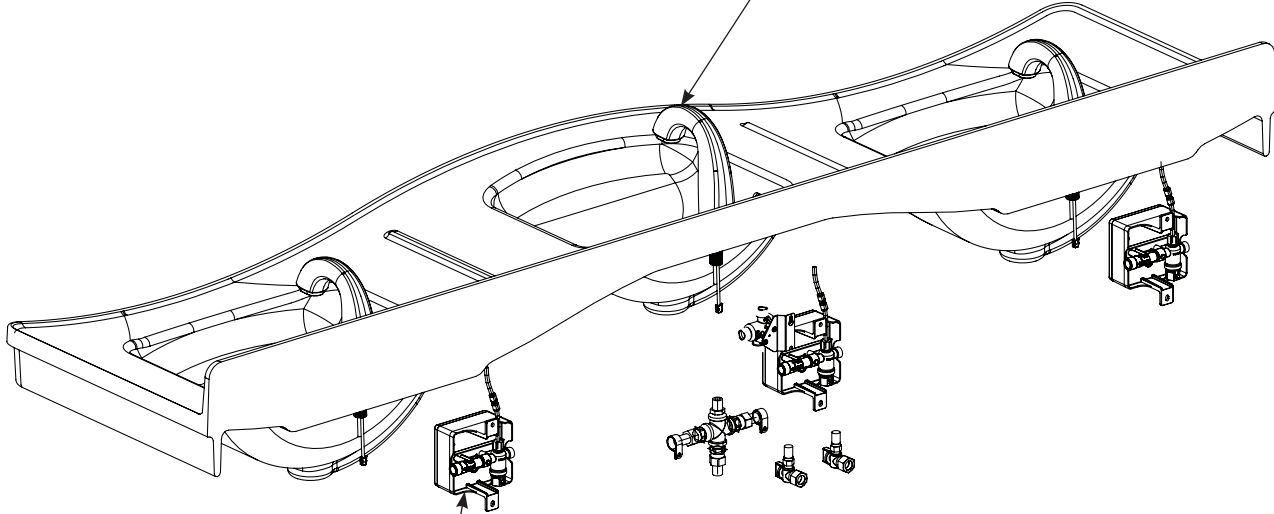


4 Faucet Control Box

(mm)

FL-3L is shown
FL-3H is similar

B Install the faucets according to manufacturer's instructions.



A Mount the faucet battery boxes to the wall at desired locations. **Reference rough in for recommended mounting location.**

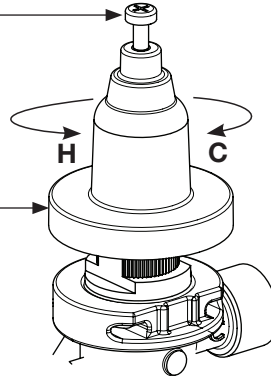
5 Adjust the Temperature



This valve is **NOT** factory preset. Upon installation, the temperature of this valve must be checked and adjusted to ensure delivery of a safe water temperature. Water in excess of 110°F (43°C) may cause scalding.

A Loosen the cap screw about ¼" (4–6 turns) and lift up the cover (do not remove).

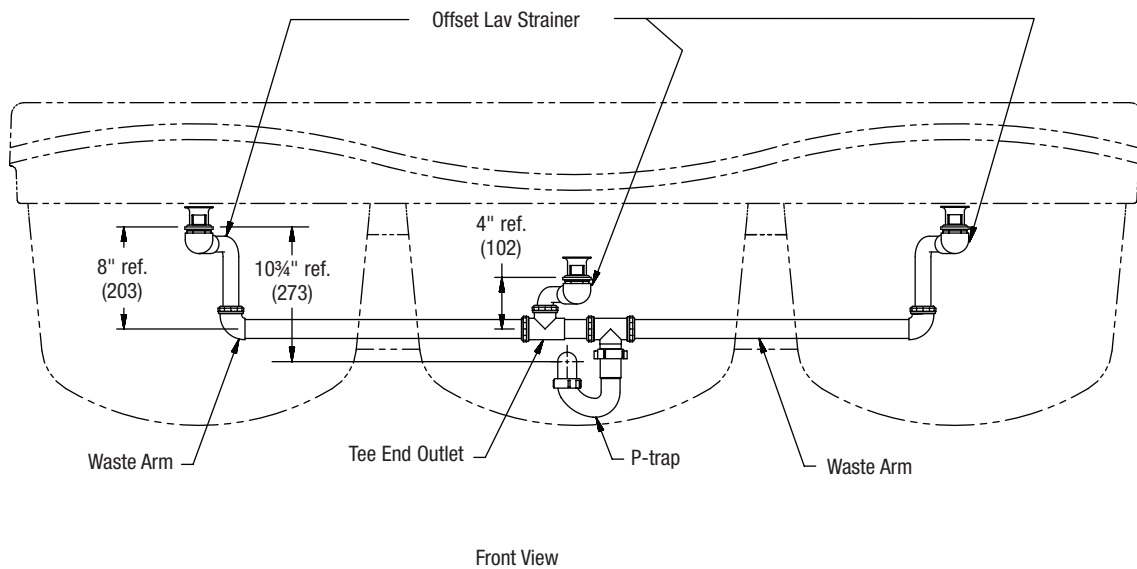
B Using the cover, turn the cartridge gently until desired water temperature is reached. Do not turn past stops as this may damage the unit. Push the cover down and tighten the screw.



6 End Outlet and Continuous Waste

(mm)

FL-3L is shown
FL-3H is opposite



7 Optional Trap/Transition Covers

B Secure the transition covers through the vertical slot with hardware provided.

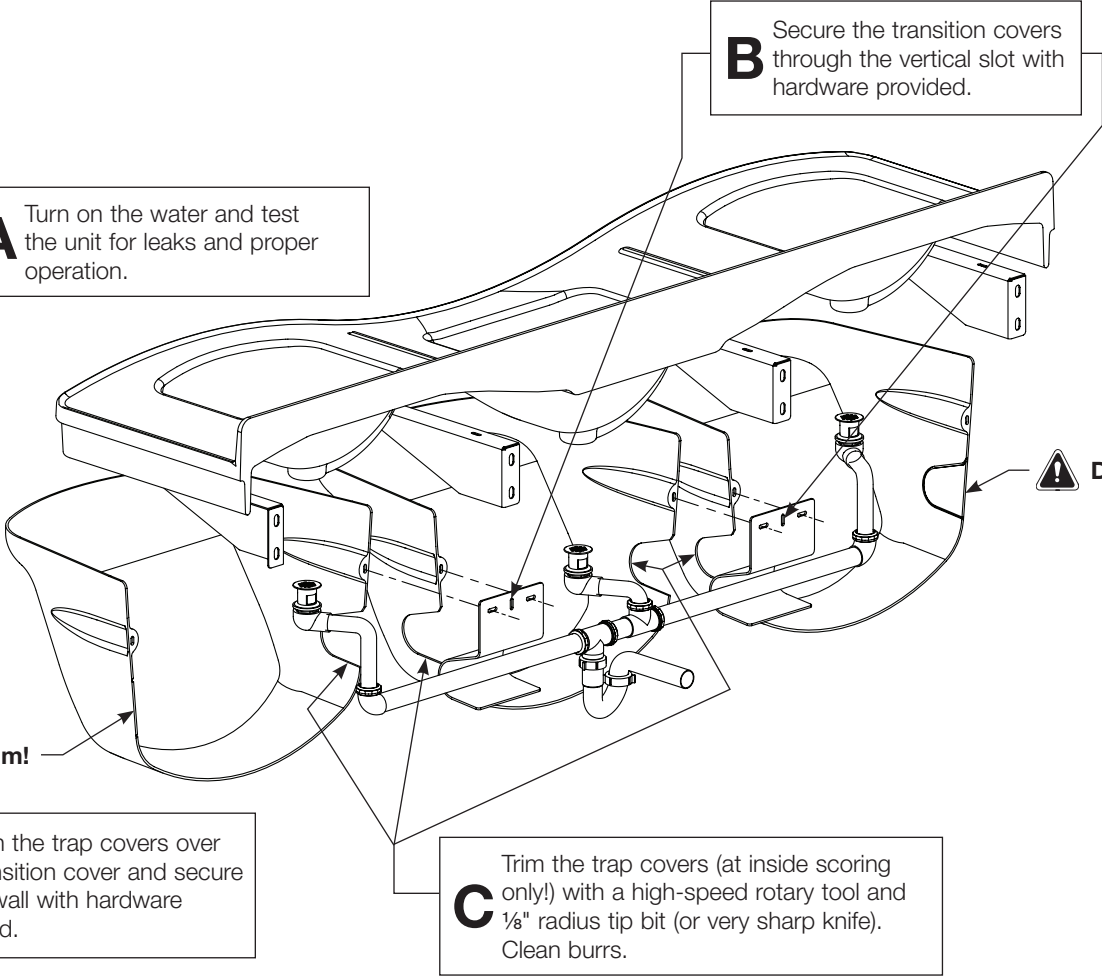
A Turn on the water and test the unit for leaks and proper operation.

Do not trim!

Do not trim!

D Position the trap covers over the transition cover and secure to the wall with hardware provided.

C Trim the trap covers (at inside scoring only!) with a high-speed rotary tool and 1/8" radius tip bit (or very sharp knife). Clean burrs.



Cleaning and Maintenance for Terreon®

Material Description: Terreon is a densified solid surface material composed of bio based resin and is resistant to chemicals, stains, burns and impact. Surface can be easily repaired with everyday cleansers or fine grit abrasives. Because Terreon is a unique cast material, its aggregate flow and distribution, and shades of color can vary from product to product creating natural characteristics.

Routine Cleaning: For regular cleaning, use mild neutral base cleaners.

Stubborn Stains: Remove tough stains with Soft-Scrub® and a green Scotch-Brite® pad or lightly sand in a circular motion with 240 grit wet/dry sandpaper. The finish can then be renewed with a maroon Scotch-Brite pad.

Scratches: Remove scratches with a green Scotch-Brite pad. The finish can then be renewed with a maroon Scotch-Brite pad.

Hard Water Deposits: Remove hard water deposits with a mild solution of vinegar and water. Always rinse the unit thoroughly after cleaning.

Restoring the surface: Use Hope's® Perfect Countertop to refresh and protect the Terreon Solid Surface material. Dark Terreon colors may require additional care and maintenance. For complete instructions on this additional maintenance, visit bradleycorp.com.

Repair Kits: Terreon repair kits are available. Contact your Bradley representative or distributor for part numbers and pricing. Repair kits are made to order and have a shelf life of 30 days.

NOTICE! *Do not use strong acid or alkaline chemicals and cleaners to clean Terreon. If these chemicals come in contact with the surface, wipe them off immediately and rinse with soapy water. Avoid contact with harsh chemicals such as paint remover, bleach, acetone, etc. Avoid contact with hot pans and objects.*

Installation Diagram: Verge Faucet

Component Identification

FL-3L is shown
FL-3H is opposite

