

Installation and Maintenance Guide

Elvari™ Folded Paper Towel Dispenser

2B1 Series

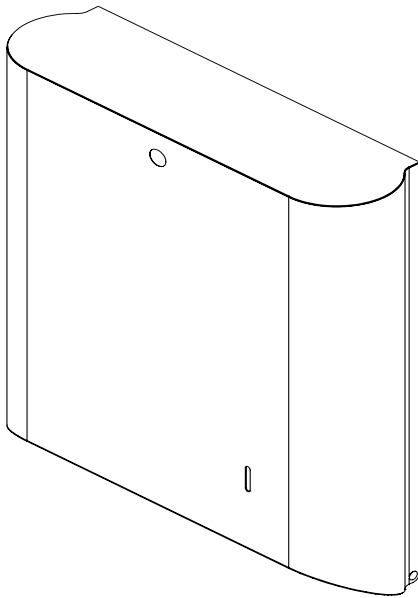


Table of Contents

Safety Information	2
Dimensions.....	2-3
Installing the Towel Dispenser.....	4
Maintenance and Cleaning.....	5



[Scan or click code to view
Installation Guide \(English\)](#)



[Scan or click code to view
Installation Guide \(French\)](#)



[Scan or click code to view
Installation Guide \(Spanish\)](#)



**Read the instructions in this manual before beginning installation.
Save these instructions and refer to them for operation and maintenance information.**

For questions regarding the operation, installation, or maintenance of this product, visit bradleycorp.com or call 800.BRADLEY (800.272.3539).
Product warranties and parts information may also be found under “Resources” on our website at bradleycorp.com.



Safety Information

WARNING

The folded towel dispenser assembly is no stronger than the anchors and walls to which they are attached, and therefore, must be firmly secured in order support the intended load requirements. To avoid potential injury, the building owner or maintenance personnel should remove the dispenser assembly from service if the mounting is not adequately secured to the wall or if there are any observed product defects. Maintenance personnel should always support the towel dispenser cover while opening and closing the unit.

IMPORTANT

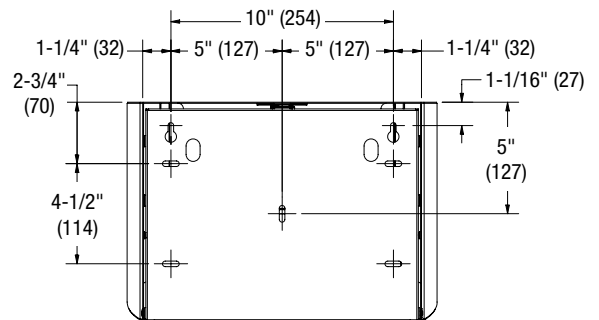
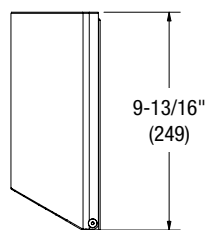
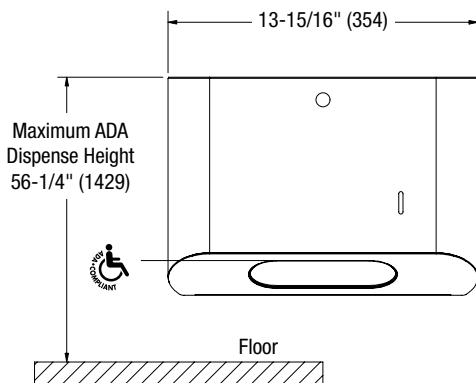
Read this entire installation manual to ensure proper installation. When installation is complete, file this manual with the owner or maintenance department. Compliance and conformity to local codes and ordinances is the responsibility of the installer.

Separate parts from packaging and make sure all parts are accounted for before discarding any packaging material. If any parts are missing, do not begin installation until you obtain the missing parts.

Dimensions

(mm)

Small Capacity

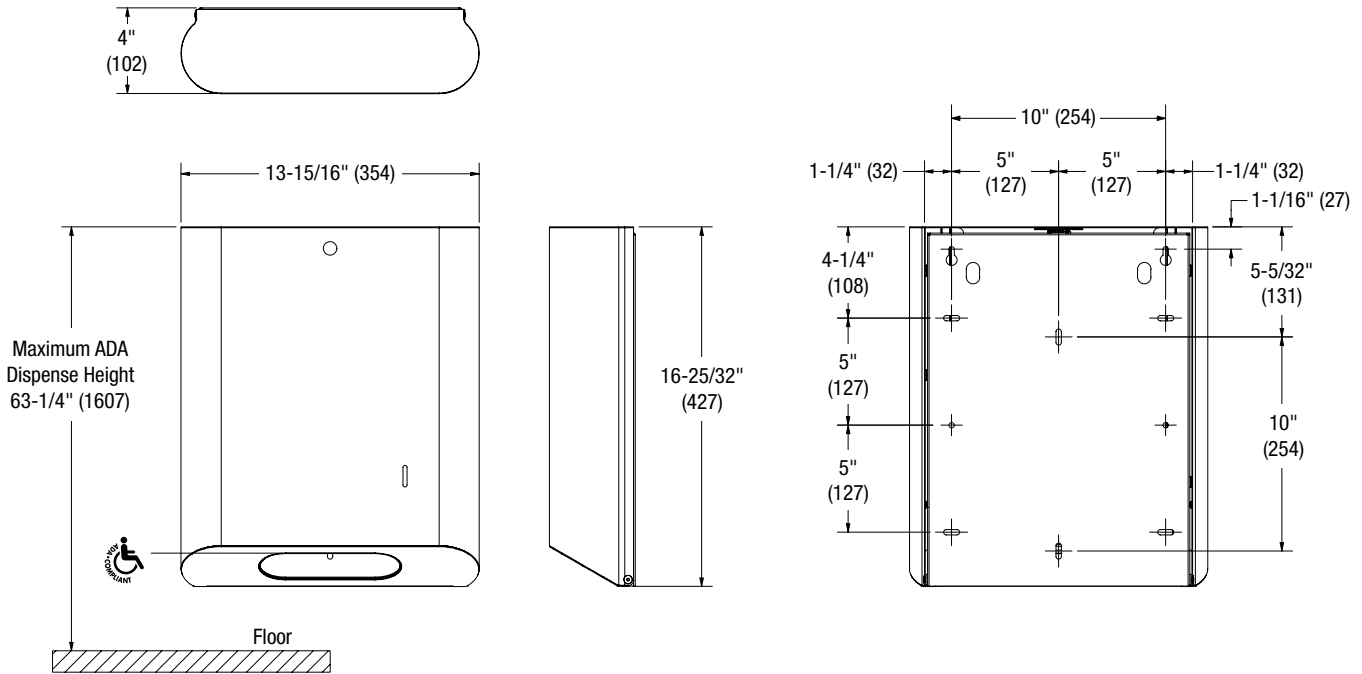


ADA minimum dispense height is 15" (381) above counters or obstructions. See ADA mark for location.

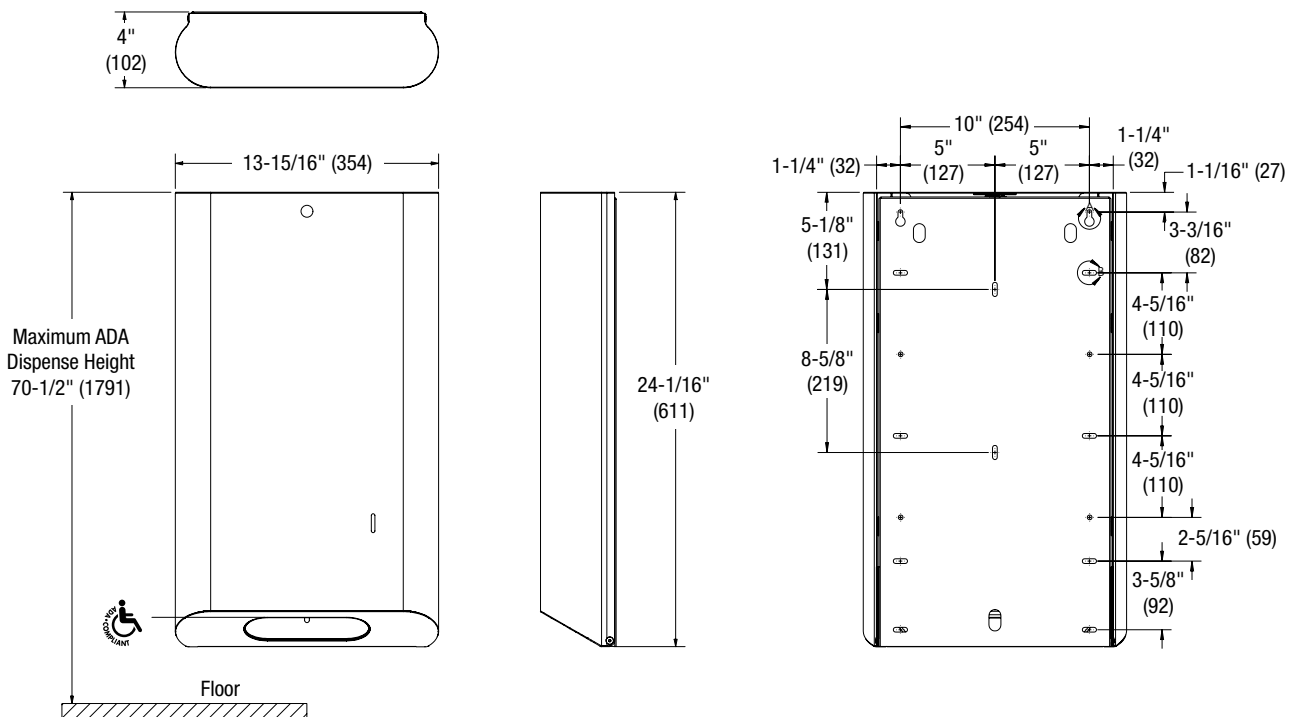
Dimensions

(mm)

Medium Capacity



Large Capacity



ADA minimum dispense height is 15" (381) above counters or obstructions. See ADA mark for location.

Installing the Towel Dispenser



Coordinate installation with architect and contractor to avoid protrusion from opposite wall or pipes, vents, conduits, electrical wiring, etc., in wall.

Follow all applicable local building codes. If installing where unit projects above top of wainscot, provide aluminum channel or other filler to prevent gap from finished wall and flange of unit. For block walls, use metal expansion shields (not included).

A

Drill the mounting holes and set the anchors (not included) per the mounting hole locations shown in the dimension illustrations on the previous pages.

B

Open the dispenser cover.

1. Place the magnetic key on the Bradley logo and slightly push to disengage the lock.
2. With the magnetic key still on the logo, pull the cover slightly to open the dispenser. Be certain to always support the cover by hand while opening and closing the dispenser. For model 2B1-113600, the cover will stop shortly after disengaging the lock and pulling back. To open fully, push the cover slightly forward and disengage the retaining hooks inside of the cover (left and right sides). After disengaging the retaining hooks, the cover can be fully opened.
3. Leave the magnetic key on the Bradley logo.

C

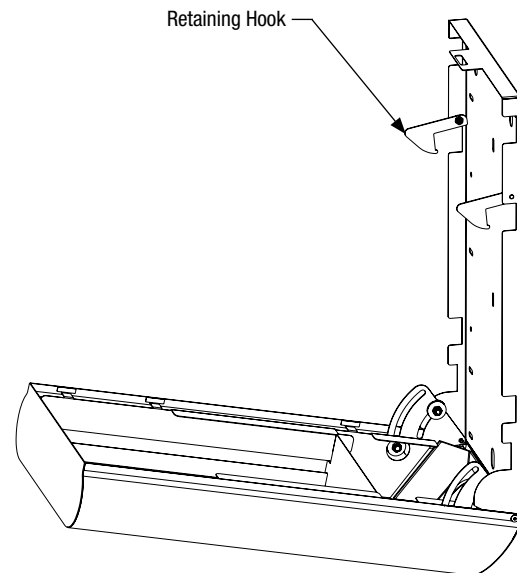
Insert screws into the mounting holes, and then fully tighten (one screw for each slotted hole and each keyhole is required to ensure proper function of the dispenser).

D

With the magnetic key still on the logo, lift the cover and close. Remove the magnetic key.



**One screw for each slotted hole and each keyhole
MINIMUM**



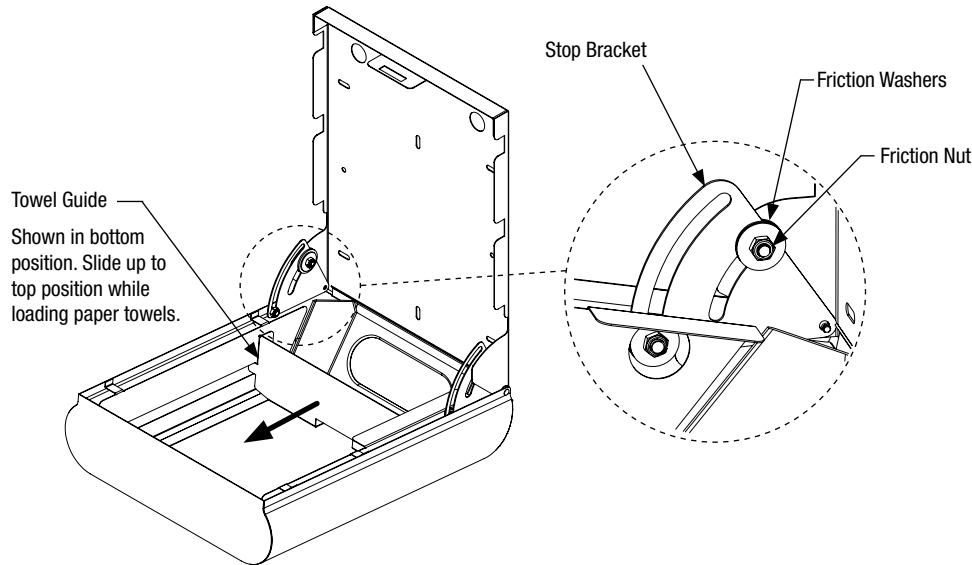
Maintenance and Cleaning

Refilling the Dispenser

Open the door using the magnetic key. Place key on Bradley logo and push slightly to disengage the lock. For model 2B1-113600, the cover will stop shortly after disengaging the lock and pulling back. To open fully, push the cover slightly forward and disengage the retaining hooks inside of the cover (left and right sides). After disengaging the retaining hooks, the cover can be fully opened. Be certain to always support the cover by hand while opening and closing the dispenser. Move the towel guide to the top of the slot and load towels below the towel guide into the cover. If the towels are not loaded below the towel guide, the dispenser will not dispense towels properly. Lower the towel guide until it rests on top of the stack of towels. Lift the door to the closed position, ensuring the maglock is latched, then remove magnetic key from cover. Pull the first towel through the dispenser.

Replacing Friction Mechanisms

The dispenser contains internal friction mechanisms (each side) to control the descent of the door while refilling the product. If the mechanisms fail to control the descent of the door at any point, remove and replace the friction washers and nuts on each side of the dispenser. These replacement parts can be found in the service parts manual. After attaching the friction nuts, be sure to torque them to 12 lb-in in order to provide the proper amount of friction.



Cleaning Stainless Steel

Scan or click the QR code below to view the Stainless Steel Washroom Accessories document.

