



A WATTS Brand

Terreon® 54" Circular, 8-1/2" Deep Bowl Washfountain

Key Features

- ADA and TAS compliant
- Suitable for heavy duty hand washing
- Air valve metering, infrared activation, or TouchTime® mechanical metering
- Three different heights (including juvenile and intermediate heights)

Specifications

Size and Capacity

Accommodates up to 8 users at a time. The Classic Sprayhead (non-sectional) is controlled by an infrared sensor, electronic pushbutton or piezo switch, or air activated pushbutton. The operating range is 20-80 psi.

Construction

Bowl Materials

Constructed of Terreon®, a densified solid surface material composed of bio-based resin. Terreon is resistant to chemicals, stains, burns, and impact. Surface damage can be easily repaired with everyday cleansers or fine grit abrasives. Terreon is GREENGUARD® certified as low-emitting materials.

Trap Enclosure/Pedestal

Tapered pedestal is fabricated from a reinforced, gel-coated fiberglass. The pedestal incorporates a large access panel, for ease of installation and maintenance, as well as a 6" stainless steel kickplate to prevent damage.

Vandal Resistance

All sensors, pushbuttons, or switches are secured to the unit from inside the sprayhead to prevent tampering. If a vandal attempts to trigger constant operation by covering the sensor or by placing a stationary object in the sensors detection area, the adaptive infrared sensor will automatically shut off water flow after 30 seconds. All valves, water supplies, and waste connections are concealed inside the pedestal. The Terreon is resistant to stains, burns, and impact; surface damage is repairable and once repaired, undetectable.

Valves and Fittings

In addition to bowl and pedestal, the following valves and fittings are standard: sprayhead with stainless steel support tube and bowl gasket; spud with locknut and strainer; sprayhead supply tubing; manual mixing valve, stops, checks, strainers, flexible stainless steel supply hoses; and adjustable volume control valve.

Activation Types

Infrared Activation

Hands placed within the bowl are detected by an infrared sensor module which activates a flow of tempered water at a rate of 1.0 gpm (3.8 Lpm) from the classic non-sectional sprayhead. Shut-off is automatic after hands are removed from the detection area. The infrared sensor uses a conical-shaped transmitting beam, having a detection area adapted to, but not exceeding, the bowl perimeter. The infrared sensor automatically adapts to the bowl after power is turned on. The infrared sensor is not affected by varying color tones or darkness. Direct sunlight or bright washroom lights will not activate the system. Infrared models also include solenoid valves and a 12V plug-in adapter as standard equipment:

- Solenoid – 12VDC, 3/4" NPT. Few moving parts, and resistant to most chemicals, minerals, and impurities often present in municipal water supplies.
- Low-Voltage Adapter – A UL/CSA listed 120VAC/12VDC plug-in adapter plugs into a standard GFCI protected electrical outlet. Location of transformer per local electrical code.

Air Valve Metering

Each pushbutton pneumatically actuates a non-hold-open, air metering, single-temperature valve with field adjustable timing from 0–45 seconds. Factory preset at 11 seconds. Each pushbutton activates a flow of tempered water at a rate of 0.15 gpc (0.57 Lpc) from the classic non-sectional sprayhead. Pushbutton requires less than five pounds of pressure.



TDB3108

TouchTime® Mechanical Metering

Each low-voltage mechanical pushbutton or piezo switch actuates a non-hold-open, slow-closing, anti-hammer solenoid valve that is timed from an electronic potted assembly. Each pushbutton activates a flow of tempered water at a rate of 0.25 gpc (0.95 Lpc) from the classic non-sectional sprayhead. TouchTime controls water flow through the use of solid state, digital circuitry. Timing is factory set at 11 second run time but is field adjustable to pre-set timeout periods and optional auto-flush function. The 24 hour flush function will activate water flow for a period of 60 seconds any time there has been no activation within the past 24 hours. Pushbutton and piezo switch requires less than five pounds of pressure. Protected by U.S. patent: D433109

Product Compliance

Listed by IAPMO R&T to

- Uniform Plumbing Code (UPC)
- National Plumbing Code of Canada
- International Plumbing Code (IPC)
- IGC 156 and the requirements of CSA B45.5/IAPMO Z124 and ASME A112.18.1/CSA B125.1



Listed by NSF International to

- NSF/ANSI 372



Complies with

- ADA
- ICC/ANSI 117.1
- TAS

(Optional equipment may not comply with all ADA dimensional guidelines)



Listed by UL Environment to

- GreenGuard Gold



Sustainability

Terreon participates in the mindful MATERIALS library



Serves the American Disabilities Act and ICC/ANSI 117.1 guidelines, citations 306, 308, 309.4, 606.4, 606.5 when installed according to these requirements. Consult local codes and standards.



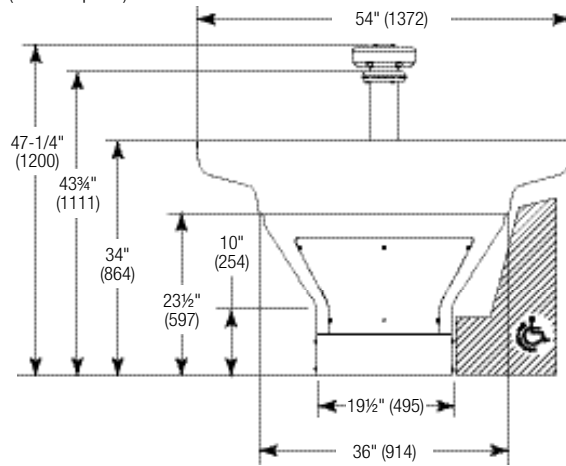
A WATTS Brand

TDB3108

Terreon® 54" Circular, 8-1/2" Deep Bowl Washfountain

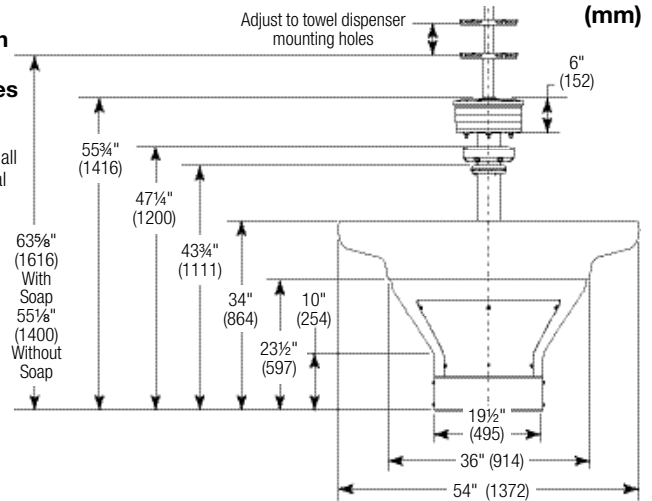
Dimensions – Standard Height

(ADA compliant)

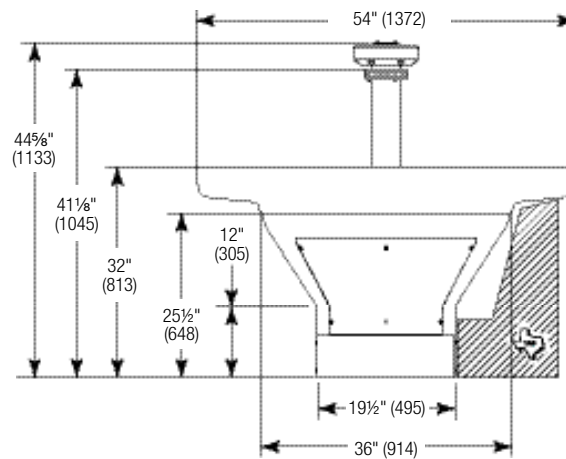


Standard Height with Optional Accessories

Optional equipment may not comply with all ADA dimensional guidelines

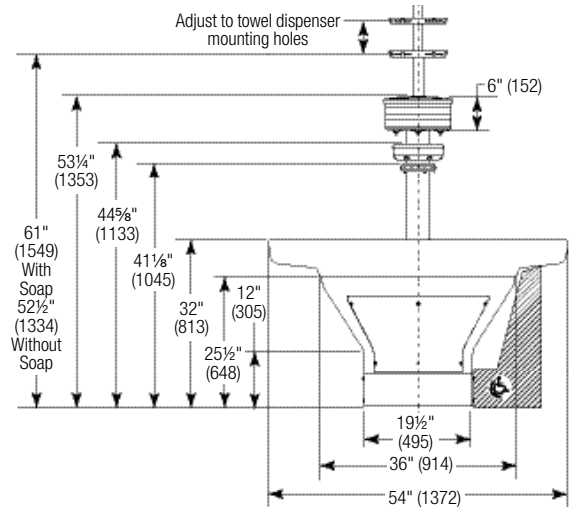


Dimensions – TAS Intermediate

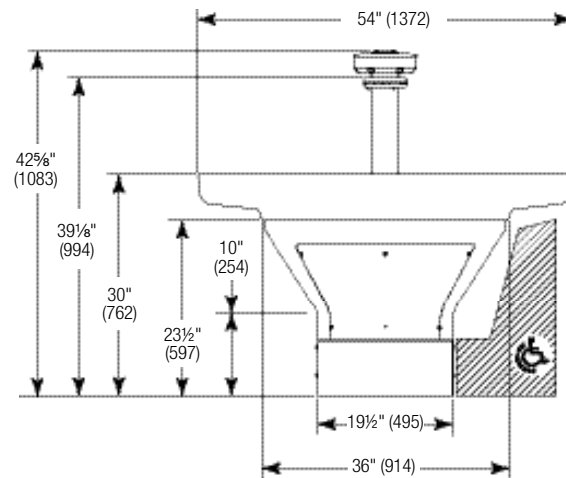


TAS Height with Optional Accessories

Optional equipment may not comply with all TAS dimensional guidelines

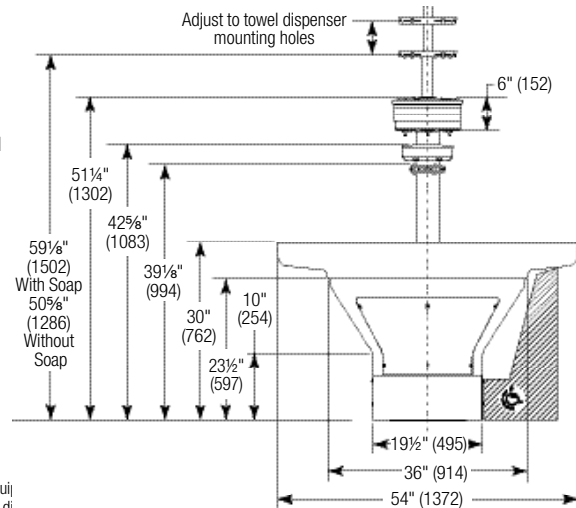


Juvenile Height



Juvenile Height with Optional Accessories

Optional equipment may not comply with all ADA or TAS dimensional guidelines



Optional equip with all ADA di

© 2024 Bradley



A WATTS Brand

Terreon® 54" Circular, 8-1/2" Deep Bowl Washfountain

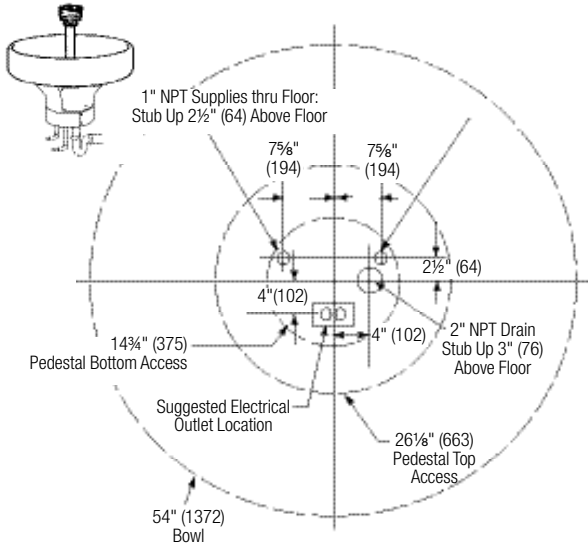
TDB3108

(mm)

Rough-Ins – 54" Circular

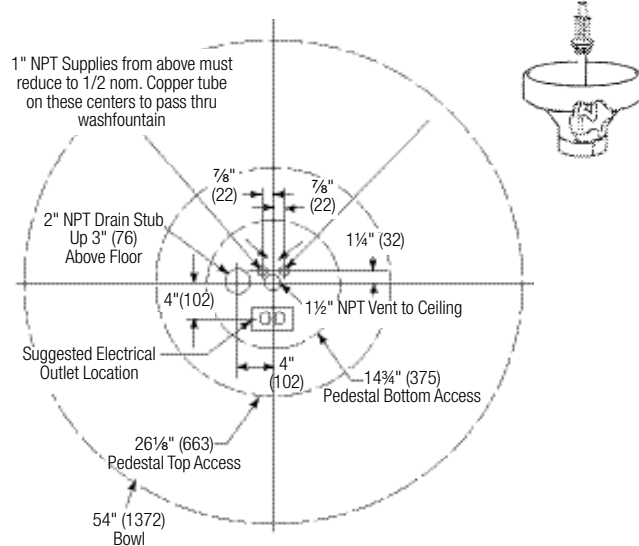
Type A

– Off-line vent with supplies from below.



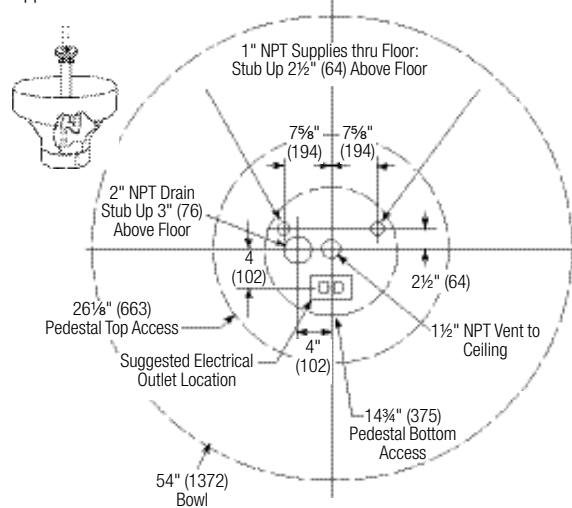
Type B

– Centrally rising vent with supplies from above.



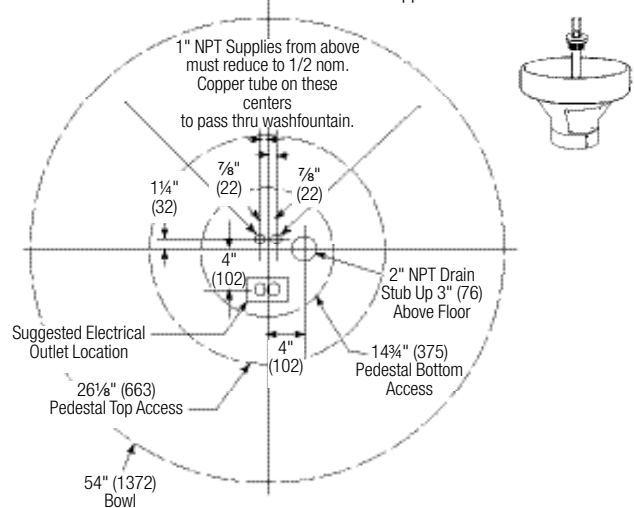
Type H

– Centrally rising vent with supplies from below.



Type O

– Off-line vent with supplies from above.



Rough-In Notes

1. All pipes and fittings not furnished by Bradley are shown in broken lines.
2. Supply lines for one to two washfountains should be 1"; for three washfountains 1 1/4"; for more than three washfountains, pipe sizes should be increased proportionately.
3. Overhead supplies must be reduced to 1/2" copper tube to pass through support tube.
4. Check valve inlets are 1/2" NPT.
5. Check local codes when electrical outlet used with infrared and TouchTime valving is ordered. Outlet may be required to be in a remote location.