



A WATTS Brand

Terreon® 36" Semi-Circular, 7-1/2" Deep Bowl Washfountain

Key Features

- ADA and TAS compliant
- Suitable for heavy-duty hand washing
- Air valve metering, infrared activation, or TouchTime® mechanical metering
- Vandal resistant - easy to clean
- Wall-hung or pedestal-to-floor in three different heights (including juvenile height)

Specifications

Size and Capacity

Accommodates up to 3 users at a time. The Classic Sprayhead (non-sectional) is controlled by an infrared sensor, electronic pushbutton or piezo switch, or air activated pushbutton. The operating range is 20-80 psi.

Construction

Bowl Materials

Constructed of Terreon®, a densified solid surface material composed of bio-based resin. Terreon is resistant to chemicals, stains, burns, and impact. Surface damage can be easily repaired with everyday cleansers or fine grit abrasives. Terreon is GREENGUARD® certified as low-emitting materials.

Trap Enclosure/Pedestal

Choose from a wall-hung trap enclosure support or full-length pedestal. Both are fabricated from reinforced, gel-coated fiberglass with a stainless steel trim piece or kick plate to prevent damage. A large access panel is provided for ease of installation and maintenance.

Vandal Resistance

The infrared sensors, push buttons, or switches are secured to the unit from inside a heavy gauge stainless steel module to prevent tampering. If a vandal attempts to trigger constant operation by covering the sensor or placing a stationary object in the sensor's detection area, the infrared sensor will automatically shut off the water flow after 30 seconds. All valves, water supplies, and waste connections are concealed inside the pedestal/trap enclosure. The Terreon is resistant to stains, burns, and impact; surface damage is easily repaired and repair work is virtually undetectable.

Standard Equipment

Valves and Fittings

In addition to the bowl and pedestal, the following valves and fittings are standard: sprayhead with stainless steel support tube and bowl gasket, drain and tailpiece with strainer, sprayhead supply tubing, Navigator® thermostatic mixing valve, flexible stainless steel supply hoses, stops, and adjustable volume control valve.

Activation Types

Air Valve Metering

Each pushbutton pneumatically actuates a non-hold-open, air metering, single-temperature valve with field adjustable timing from 0–45 seconds. Factory preset at 11 seconds. Each pushbutton activates a flow of tempered water at a rate of 0.15 gpc (0.57 Lpc) from the classic non-sectional sprayhead. Pushbutton requires less than five pounds of pressure.

Infrared Activation

Hands placed within the bowl are detected by an infrared sensor module which activates a flow of tempered water at a rate of 0.50 gpm (1.9 Lpm) from the classic non-sectional sprayhead. Shut-off is automatic after hands are removed from the detection area. The infrared sensor uses a conical-shaped transmitting beam, having a detection area adapted to, but not exceeding, the bowl perimeter. The infrared sensor automatically adapts to the bowl after power is turned on. The infrared sensor is not affected by varying color tones or darkness. Direct sunlight or bright washroom lights will not activate the system. Infrared models also include solenoid valves and a 12V plug-in adapter as standard equipment:

- Solenoid – 12VDC, 1/2" supply inlet. Few moving parts, and resistant to most chemicals, minerals, and impurities often present in municipal water supplies.



- Low-Voltage Adapter – A UL/CSA listed 120VAC/12VDC plug-in adapter plugs into a standard GFCI protected electrical outlet. Location of plug-in adapter per local electrical code.

TouchTime® Mechanical Metering

Each low-voltage mechanical pushbutton or piezo switch actuates a non-hold-open, slow-closing, anti-hammer solenoid valve that is timed from an electronic potted assembly. Each pushbutton activates a flow of tempered water at a rate of 0.15 gpc (0.57 Lpc) from the classic non-sectional sprayhead. TouchTime controls water flow through the use of solid state, digital circuitry. Timing is factory set at 11 second run time but is field adjustable to pre-set timeout periods and optional auto-flush function. The 24 hour flush function will activate water flow for a period of 60 seconds any time there has been no activation within the past 24 hours. Pushbutton and piezo switch requires less than five pounds of pressure. Protected by U.S. patent: D433109

Product Compliance

Listed by IAPMO R&T to

- Uniform Plumbing Code (UPC)
- National Plumbing Code of Canada
- International Plumbing Code (IPC)
- IGC 156 and the requirements of CSA B45.5/IAPMO Z124 and ASME A112.18.1/CSA B125.1



Listed by NSF International to

- NSF/ANSI 372



Complies with

- ADA
- ICC/ANSI 117.1
- TAS

(Optional equipment may not comply with all ADA dimensional guidelines)



Listed by UL Environment to

- GreenGuard Gold



Sustainability

Terreon participates in the mindful MATERIALS library



Serves the American Disabilities Act and ICC/ANSI 117.1 guidelines, citations 306, 308, 309.4, 606.4, 606.5 when installed according to these requirements. Consult local codes and standards.



A WATTS Brand

Standard Selections (Must select one from each category)			
Drain Type (select one)			
A	Off-line vent with supplies from below		
O	Off-line vent with supplies from above		
Mounting Height Type (select one)			
WALL	Wall Hung Trap Enclosure/Support		
STD	Pedestal - Standard Height 34" Rim		
JUV	Juvenile Height 30" Rim		
TAS	Intermediate Height 32" Rim		
Sprayhead Type (select one)			
CLC	Classic Sprayhead (entire sprayhead activates)		
Activation Type (select one)			
IRP	Infrared	TTPA	TouchTime Pushbutton ‡
AST4	Air Pushbutton	TTPB	TouchTime Piezo Switch ‡
Water Supply Type (select one)			
TL	Tempered Line		
TMA	Thermostatic Mixing Valve		
Soap Dispenser Type (select one)			
LSD	Liquid Soap Dispenser *	MPSD	Metal-Clad Powdered Soap Dispenser *
PSD	Powdered Soap Dispenser *	NSD	No Soap Dispenser
MLSD	Metal-Clad Liquid Soap Dispenser *		
Color of Terreon Bowl (select one)			
NOTE: Click on any swatch to view as a larger image.			
<i>Standard Colors</i>			
ALP-WHT	<input type="checkbox"/> Alpine White	PEBBLE	<input type="checkbox"/> Pebble Beach
CHAR	<input type="checkbox"/> Charcoal Gray	PEP-WHT	<input type="checkbox"/> Peppered White
DRIFT	<input type="checkbox"/> Driftwood †	POLAR	<input type="checkbox"/> Polar Ice †
DS-WHT	<input type="checkbox"/> Designer White	RIVER	<input type="checkbox"/> Riverstone
E-GRAY	<input type="checkbox"/> Empire Gray	SAND	<input type="checkbox"/> Sandtrap
GLACIER	<input type="checkbox"/> Glacier	S-CREEK	<input type="checkbox"/> Stone Creek
GRAPH	<input type="checkbox"/> Graphite	S-MIST	<input type="checkbox"/> Silver Mist
LANNON	<input type="checkbox"/> Lannonstone	WHT-SAND	<input type="checkbox"/> White Sand
MOONSTONE	<input type="checkbox"/> Moonstone †		

* Optional equipment may not comply with all ADA guidelines
† This color contains large, randomly distributed chips.
‡ TTPA and TTPB valves require a low-voltage UL/CSA listed 120VAC/12VDC plug-in adapter.



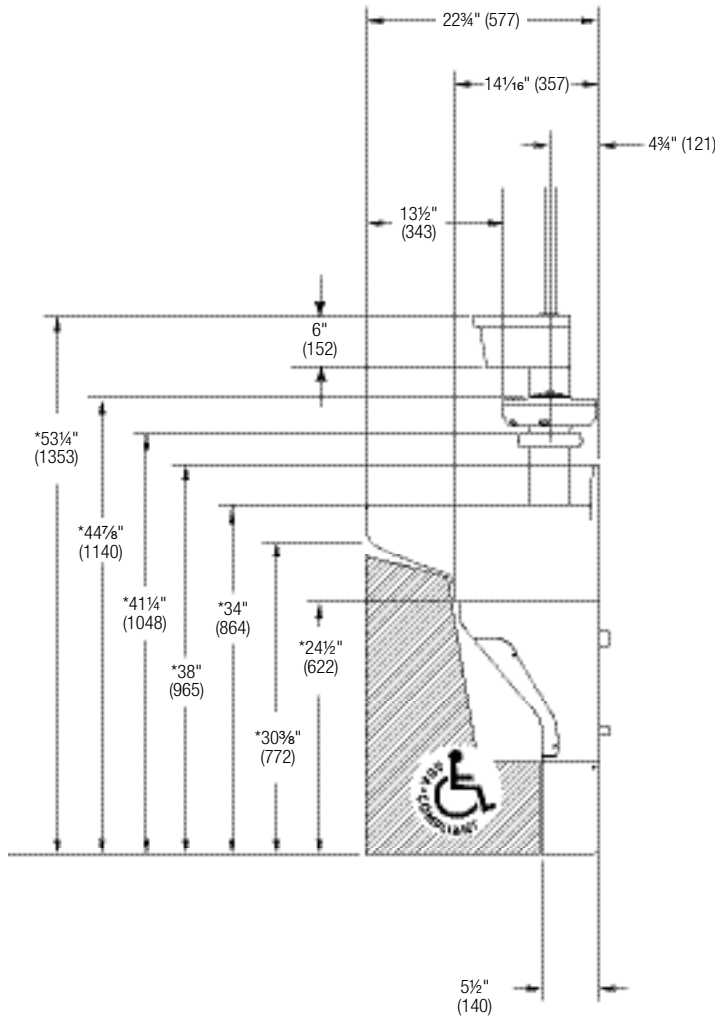
A WATTS Brand

TDB3103 Terreon® 36" Semi-Circular, 7-1/2" Deep Bowl Washfountain

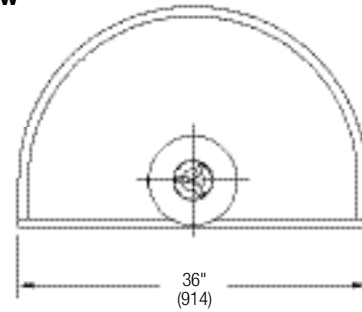
(mm)

Dimensions

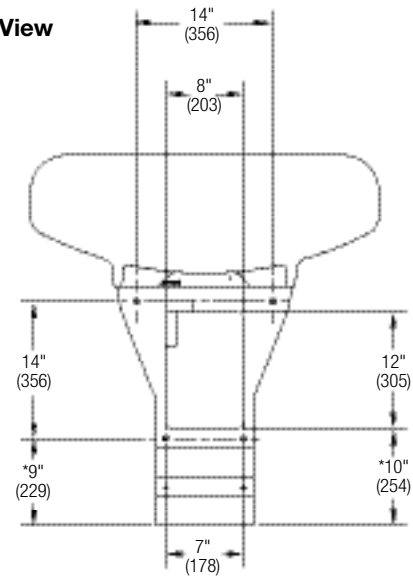
Side View



Top View



Back View



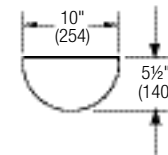
Model TDB3103 ADA Compliant

Optional equipment may not comply with all ADA dimensional guidelines

Rim Height	Application	Adjustment
34"	Adult Height ADA, TAS Adult Height	None, as shown
*32"	TAS Ages 11 through 14 or 15, Grades 6 through 8 or 9	*Subtract 2"
*30"	TAS Ages 4 through 10 or 11, Grades K through 5 or 6 and Proposed Juvenile Height ADA	*Subtract 4"

*Adjustments to vertical dimensions for various rim heights.

Bottom View



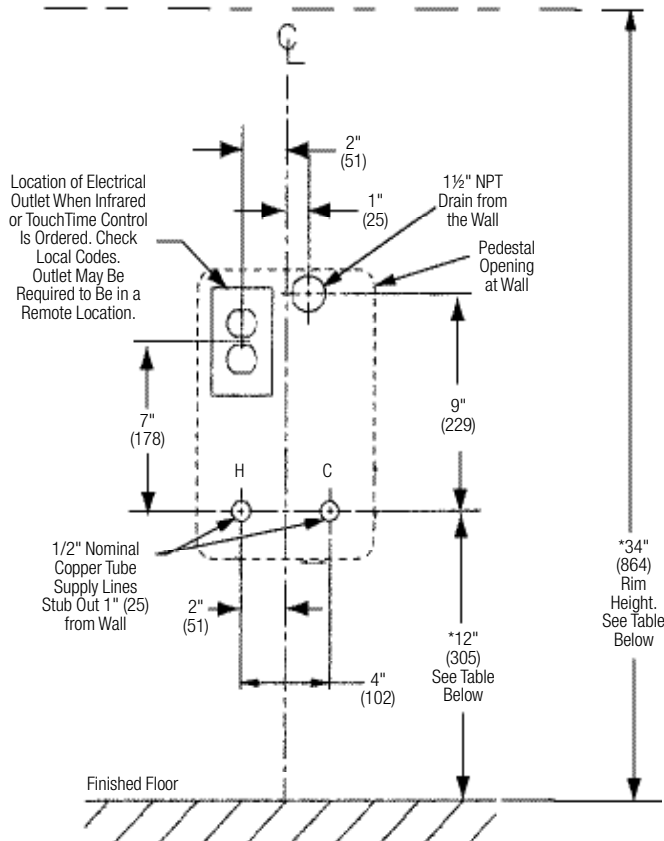


Terreon® 36" Semi-Circular, 7-1/2" Deep Bowl Washfountain

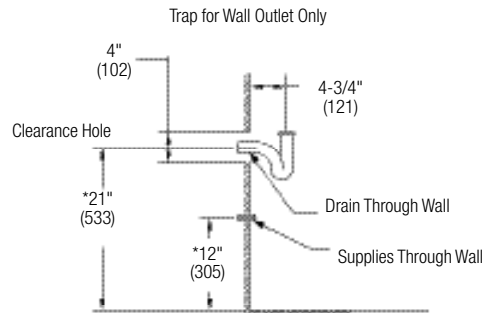
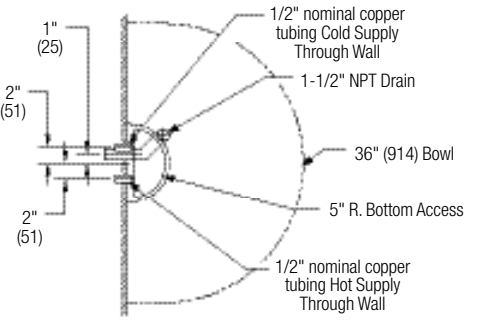
TDB3103

(mm)

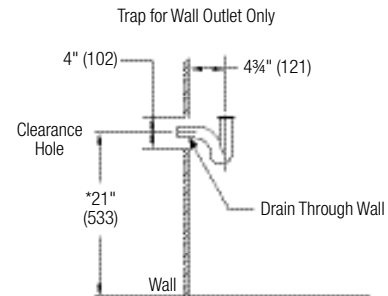
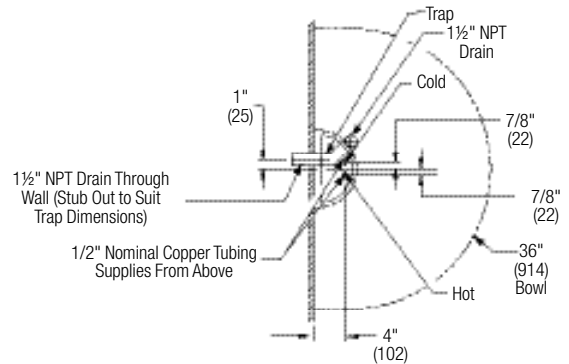
Rough-Ins



Type A Drain
 – Supplies through wall
 – Vented through wall off-drain



Type O Drain
 – Supplies from above
 – Vented through wall off-drain



Rim Height	Application	Adjustment
34"	Adult Height ADA, TAS Adult Height	None, as shown
*32"	TAS Ages 11 through 14 or 15, Grades 6 through 8 or 9	*Subtract 2"
*30"	TAS Ages 4 through 10 or 11, Grades K through 5 or 6, and Proposed Juvenile Height ADA	*Subtract 4"

* Adjustments to vertical dimensions for various rim heights.

Rough-In Notes

1. Drain P-Trap and Supplies by others.