



A WATTS Brand

# 5B2-110089

## Elvari™ Toilet Paper Dispenser with Shelf

### Key Features

- High quality and modern style complements other [Elvari™ products](#)
- Single-piece design for easy mounting
- Advanced weld construction of front and sides
- Radiused sides for a softer design

### Operation

Shelf holds two rolls up to 4-1/2" W x 5-1/4" diameter standard core toilet paper. Spindles are removable, spring activated ABS plastic for easy removal or servicing.

### Guide Specification

Surface-mounted toilet paper dispenser with shelf, holds two rolls. Rolls mounted on removable molded polyethylene spindles. Top and back of surface-mounted shelf shall be fabricated of 20-gauge, 300 series stainless steel in a brushed #3 satin finish and has an integral back mounting plate. Front, sides, and toilet paper dispenser shall be fabricated of 18-gauge, 300 series stainless steel in a brushed #3 satin finish. Optional electrocoat finishes on exposed surfaces also available.

#### Overall Dimensions – Surface-Mounted:

18" x 3-9/16" x 5" (457mm x 90mm x 127mm)

**MasterFormat Title:** Commercial Toilet Accessories


**MasterFormat Number:** 10 28 13.13

**OmniClass Title:** Toilet and Bath Specialties

**OmniClass Code:** 23.31.25.00

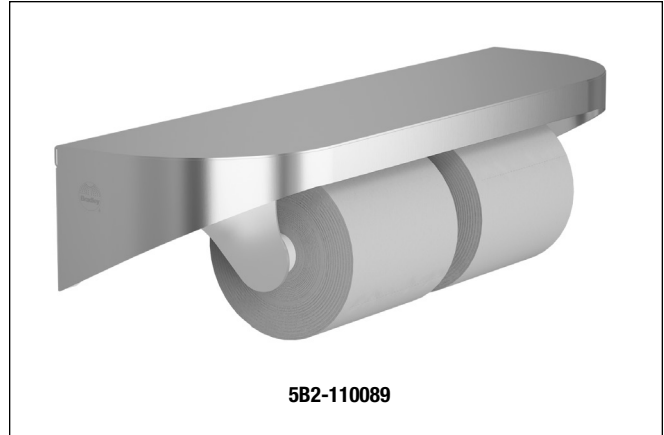
### Product Compliance

#### Complies with

- The Americans with Disabilities Act (ADA) 
- ANSI/ICC A117.1 - Accessible and Usable Buildings & Facilities

#### Listed by UL Environment to

- GreenGuard Gold



### Finishes

Click on any color swatch to view as a larger image.

-  Brushed Black\*
-  Brushed Brass\*
-  Brushed Bronze\*
-  Brushed Nickel\*
-  Brushed Stainless\*
-  Satin Stainless

\*Electrocoat Finishes, see Optional Electrocoat Finishes section on page 2.

### Complementary Bradley Products

- [Euro Style Partitions – Highrise Series](#)
- [Euro Style Partitions – Skyline Series](#)
- [Euro Style Partitions – Float Series](#)
- [Euro Style Partitions – Lucent Series](#)
- [Euro Style Partitions – Loft Series](#)

Consult local and national accessibility codes for proper installation guidelines. Conformity and compliance with local and national codes is the responsibility of the installer.

For information on Warranties, Maintenance and BAA/ARRA Compliance, visit our website at: [bradleycorp.com/washroom-accessories-products](http://bradleycorp.com/washroom-accessories-products)

Orders composed of products indicated as **BradEX®** will be available to ship in three days after receipt of order at the factory. There is no pricing penalty for this service from Bradley.

Verify all rough-in dimensions prior to installation.



A WATTS Brand

5B2-110089

# Elvari™ Toilet Paper Dispenser with Shelf

## Optional Electrocoat Finishes

Bradley offers an exclusive, proprietary electrocoat color process on the Elvari toilet paper dispenser models. Unlike powder coating, color is applied to the entire stainless steel part using a submersion process with electrically charged particles. This process results in a precise film thickness across all surfaces, allowing the grain of the stainless steel to show through.

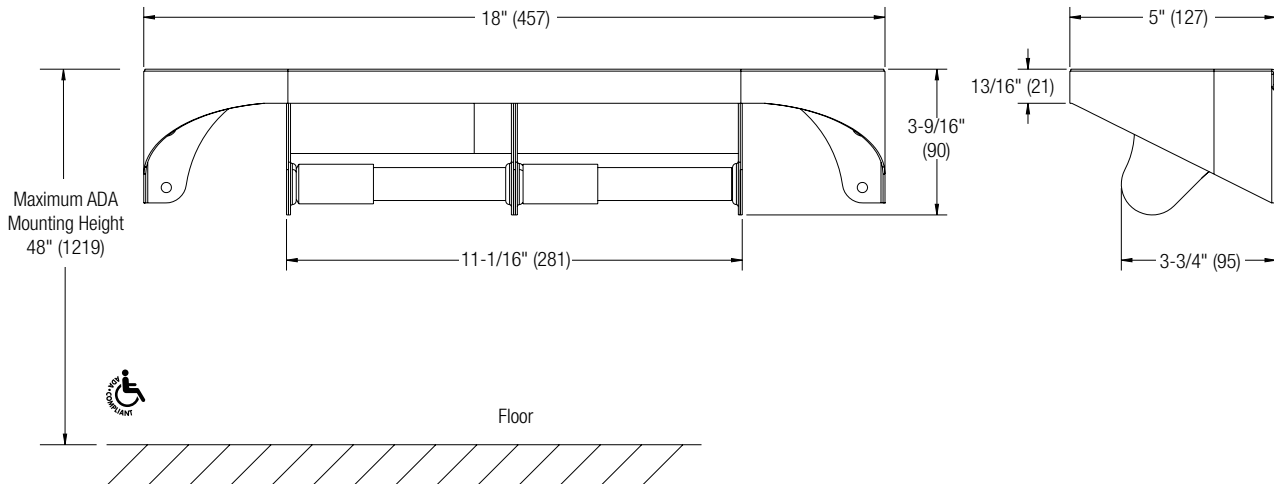
Electrocoat provides complete coverage to the part and has environmental advantages such as no or low-VOC and HAPs (Hazardous Air Pollutants), heavy metal-free products, and minimum waste discharge. Bradley's electrocoat is durable and easy to clean as well as fingerprint, stain and corrosion resistant. A UV light stabilizer additive enhances resistance to weathering and color fade. Products are performance tested for adhesion following ASTM D3359-22 and impact resistance following ASTM D2794.

<b>Model</b> (Must select one)	
5B2-110089	Elvari Toilet Paper Dispenser
<b>Standard Selections</b> (Must select one from each category)	
<b>Mounting</b>	
11	Surface Mounted
<b>Shelf</b>	
89	With Shelf
<b>Toilet Paper Dispenser Finish Type</b> (Must select one)	
BB	Brushed Black
BR	Brushed Brass
BZ	Brushed Bronze
BN	Brushed Nickel
BS	Brushed Stainless
SS	Satin Stainless <sup>1</sup>

<sup>1</sup> Model available with **BradEX**® expedited shipping.

## Dimensions

(mm)



Orders composed of products indicated as **BradEX**® will be available to ship in three days after receipt of order at the factory. There is no pricing penalty for this service from Bradley.

Verify all rough-in dimensions prior to installation.