



S59-3200 (HL200) Thermostatic High-Low Valves

- Lead-Free Brass Design
- Reliable Liquid-Filled Thermostat with 10-Year Warranty
- Integral Strainer Checkstops on Inlets
- Adjustable Set Point within Temperature Range
- Accurate Temperature Control to within $\pm 3^\circ\text{F}$
- Positive Shutoff of Flow in the Event of Cold Supply Line Failure or Thermostat Failure
- Easy Installation and Serviceability
- Dirt and Lime Resistant
- Factory Assembled and Tested
- Universal Mounting Capability
- Dial Thermometer
- Cabinet Features:
 - 18 Gauge Body & Door
 - Left-Hand Hinge
 - Cylinder Lock
 - Inlet/Outlet Knock-Out Holes for Mounting Flexibility
 - Stainless Steel or Baked White Enamel Finishes
 - Surface-Mounted or Recessed Style with Flange



HL200 (Part No. S59-3200)

Valve Model

Model	Description
<input type="checkbox"/> S59-3200	High-Low Thermostatic Mixing Valve

Valve Specifications

Maximum Operating Pressure

125 PSI (860 kPa)

Maximum Inlet Temperature

200° F (93° C)

Temperature Range

	Std.	Low	High	Set Point
	90° F (32° C) to 120° F (49° C)	70° F (21° C) to 100° F (38° C)	110° F (43° C) to 140° F (60° C)	110° F (43° C)
				80° F (27° C)
				130° F (54° C)

Flow Capacities – GPM

Model	Min. Flow*	Pressure Drop – PSI						
		5	10	15	20	30	45	60
S59-3200	5.0	60.0	91.0	109.0	127.0	157.0	192.0	220.0

Flow Capacities – L/Min

Model	Min. Flow*	Pressure Drop – Bar						
		.5	1.0	1.5	2.0	2.5	3.0	4.0
S59-3200	19.0	282.5	405.0	499.5	580.0	651.0	715.5	831.0

*Recirculation system only (See diagram on Page 2). When properly installed near the hot water source with a **continuously operating** recirculation pump, the valve will maintain set temperature with a .5 GPM (2.0 L/Min) draw from the plumbing system.

Code Compliance and Certifications

ASSE 1017 & cUPC certified.



Lead Free

Certified to NSF/ANSI 372

Engineer's Approval _____

Configurable Valve Model (select one)

Model	Description
<input type="checkbox"/> HL200	HL200 Thermostatic Mixing Valve with Options
<input type="checkbox"/> CAB-HL200	HL200 Thermostatic Mixing Valve Cabinet Only

Optional Valve Selections

Finish	
<input type="checkbox"/> R	Rough Brass (standard)
<input type="checkbox"/> C	Chrome Plated

Thermostat	
<input type="checkbox"/> S	Standard Range Thermostat
<input type="checkbox"/> L	Low Range Thermostat
<input type="checkbox"/> H	High Range Thermostat

Bracket	
<input type="checkbox"/> B	Wall Mounting Bracket
<input type="checkbox"/> 0	None

Piped Assembly	
<input type="checkbox"/> P**	Piped Assembly with Inlet and Outlet Shutoff
<input type="checkbox"/> N**	Piped Assembly with Outlet Shutoff
<input type="checkbox"/> 0	None

Optional Cabinet Selections

Cabinets (includes bracket)	
<input type="checkbox"/> SS	Surface Mount Stainless Steel
<input type="checkbox"/> RS	Recessed Stainless Steel
<input type="checkbox"/> SE	Surface Mount White Enamel
<input type="checkbox"/> RE	Recessed White Enamel
<input type="checkbox"/> 0	None

Window	
<input type="checkbox"/> W	Plexi-Glass Window in Door
<input type="checkbox"/> 0	None

** Chrome plating not available.

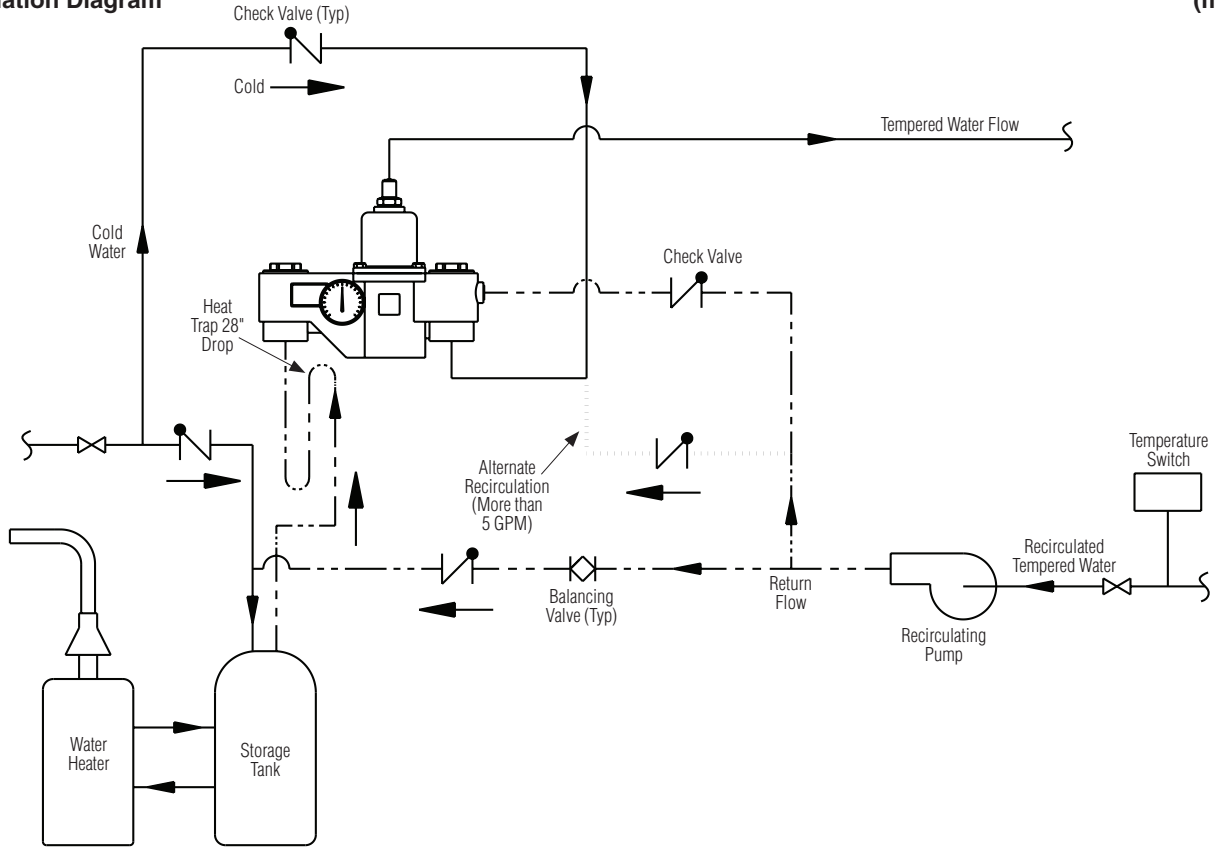
Standard product selections contained within this document are third party CERTIFIED to NSF/ANSI 372 meeting the Lead-Free content requirement. Any product configured with custom options will be COMPLIANT with NSF/ANSI 372 meeting the Lead-Free content requirement.



S59-3200 (HL200) Thermostatic High-Low Valves

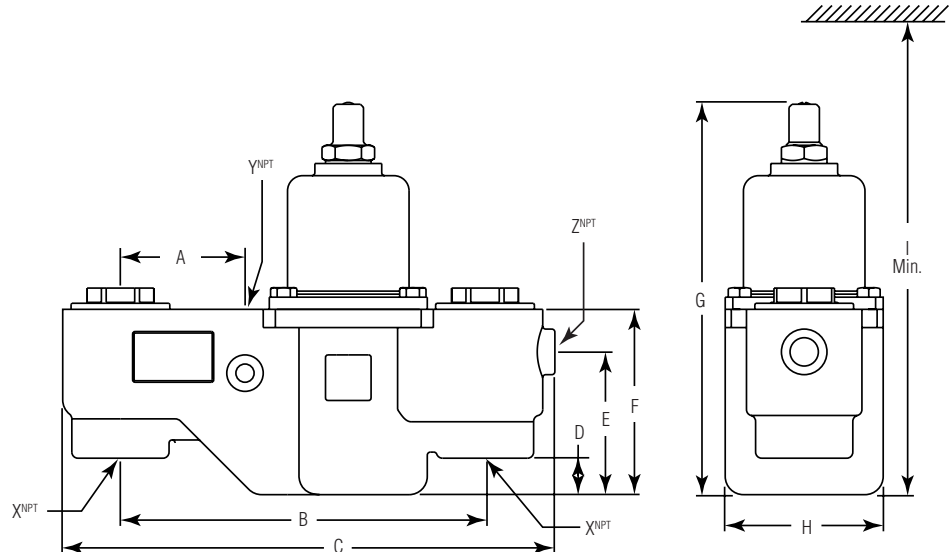
(mm)

Recirculation Diagram



Dimensions

Model	A	B	C	D	E	F	G	H	I	X ^{NPT}	Y ^{NPT}	Z ^{NPT}
S59-3200	3-1/2" (89)	12" (305)	16-1/4" (411)	1-1/2" (38)	4-3/4" (119)	6-1/8" (155)	13" (328)	5-1/4" (132)	19" (483)	2"	2"	3/4"



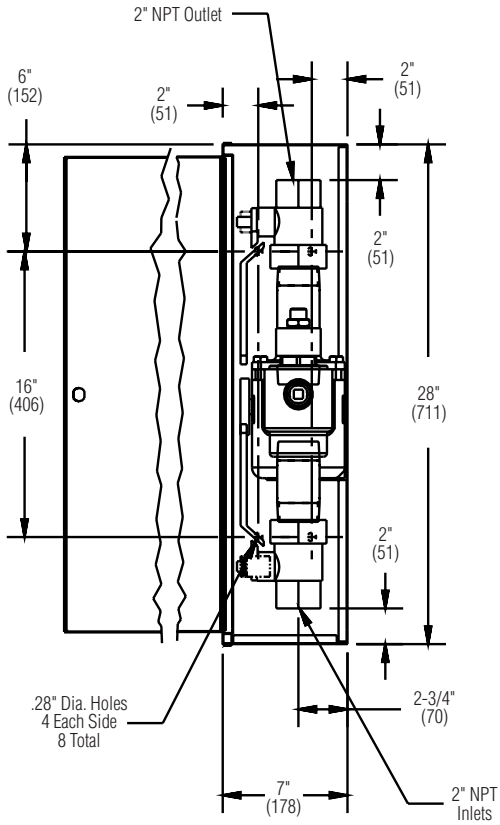


S59-3200 (HL200) Thermostatic High-Low Valves

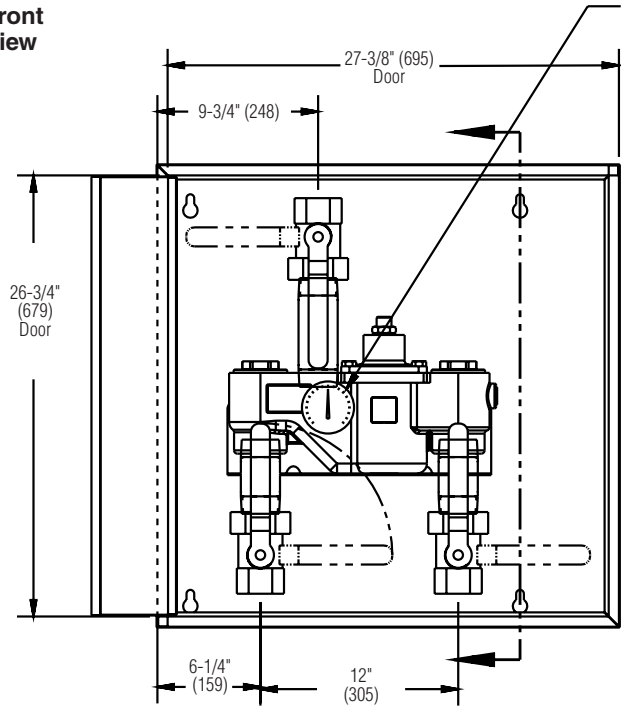
Dimensions — HL200 Surface-Mounted Cabinet

(mm)

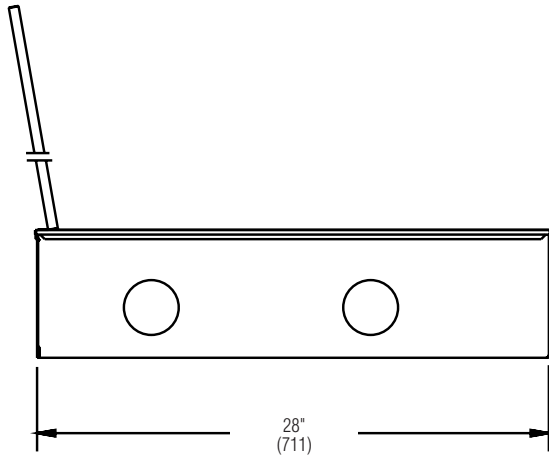
Side View



Front View



Bottom View



Back View

